

ID Infinity Drain



S-LTIF 65 Series

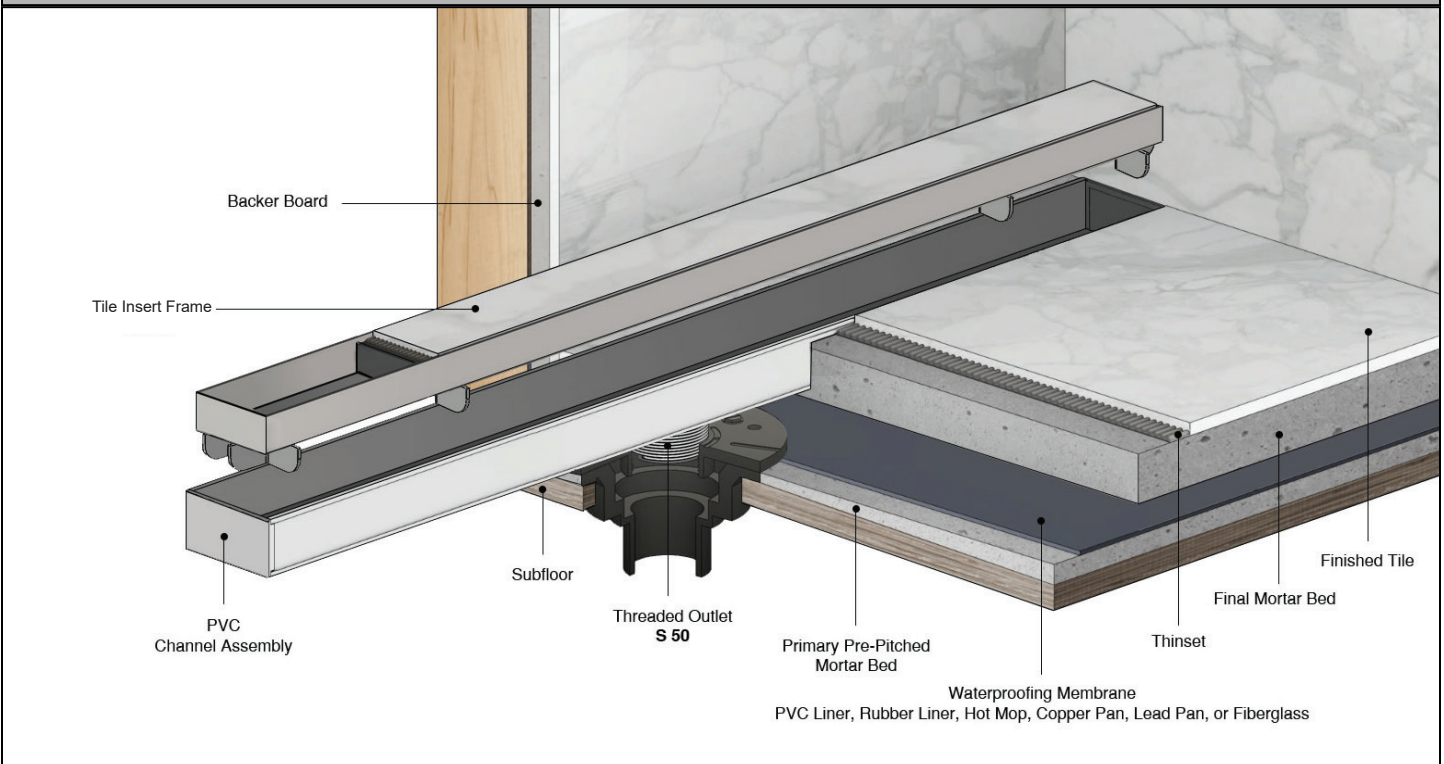
LOW PROFILE
SITE SIZABLE PVC

- S-LT 6536 - 36" Complete Kit
- S-LT 6548 - 48" Complete Kit
- S-LT 6560 - 60" Complete Kit
- S-LT 6572 - 72" Complete Kit
- S-LT 6596 - 96" Complete Kit

Features

- Modify length and outlet location on site
- Indoor or outdoor use
- Low profile 1" Height
- 12 gauge, 304L stainless steel Tile Insert Frame
- Works with 2" clamp down floor with 2" throat/strainer size *(not included)*
- NOT INTENDED for installation across a barrier-free threshold
- Compatible with: PVC Liner, Rubber Liner (Chloraloy®), Hot Mop, Lead Pan, Copper Pan, or Fiberglass
- Flow rate - 9 gpm per outlet
 - Flow rate measured at outlet only. Measurement does not account for water in channel or sheeting on shower floor.
 - Additional outlets can be added and combined into a larger waste line to increase flow rates

Installation



Care & Maintenance

S-LT 65 stainless steel linear drain top grates are made of 304L stainless steel. This material is non-porous, hygienic, rust-free and extremely durable. Bar Keepers Friend® and Soft Scrub® are commonly available products that can be used to protect and clean your Satin Stainless drain cover. For stains that have been left for an excessive amount of time, stronger cleaning agents such as Steel Brite Cleaner may be needed. For Polished Stainless and other finishes we recommend a mild soap and a soft cloth for cleaning. DO NOT use any abrasive cleaners, scrub pads or other household cleaning agents, such as bleach, to sit on the drain cover for a long period of time. Stainless steel does not rust. External factors, such as contamination from other highly ferrous metals, built up road salt, sea salt, or chlorine may have caused "surface" rust which can be removed using Barkeepers Friend®, Soft Scrub®, or Steel Brite Cleaner. Always follow the directions on the bottle. Follow proper maintenance procedures to prevent excessive surface rust. In areas of frequent exposure to salt, chlorine, and other chemical compounds, maintenance of the stainless grates should be performed at least 2-3 times per year.

Infinity Drain
145 Dixon Avenue
Amityville, NY 11701
Phone: 516.767.6786
Fax: 516.740.3066
www.Infinitydrain.com



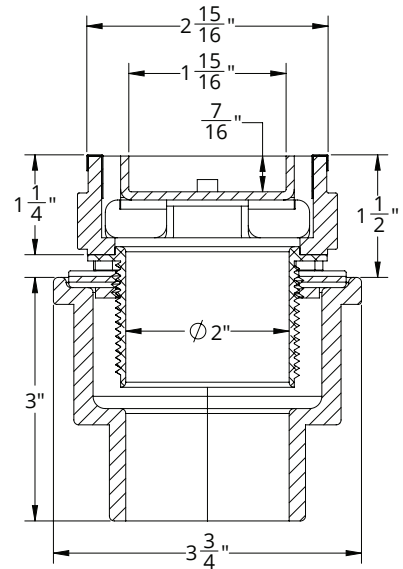
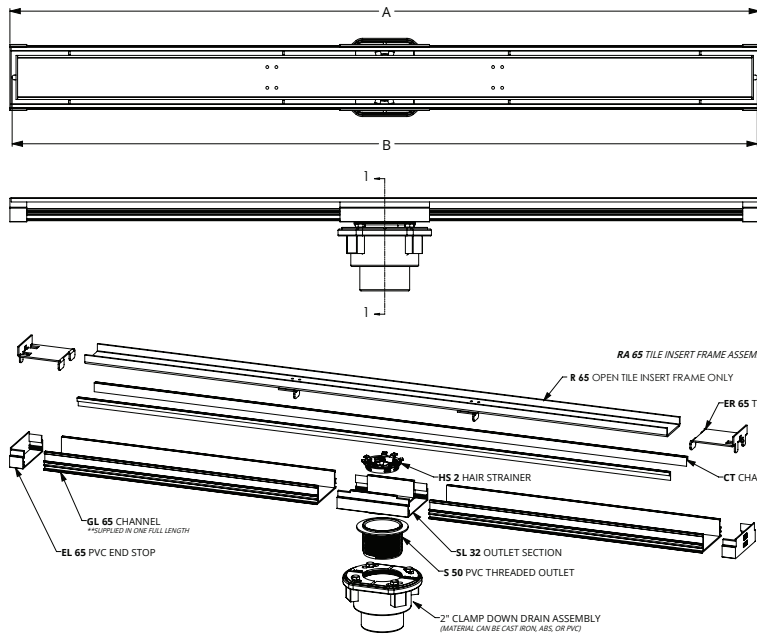
NOTE: Installer must verify all rough-in dimensions prior to installation and consult local and national codes. Conformity and compliance to local and national codes are the responsibility of the installer.

ID Infinity Drain

S-LTIF 6536

S-LTIF 6548

S-LTIF 6560



SECTION 1-1

Model Number	Complete Kit Contents	A (Maximum Overall Length)	B (Maximum Grate Length)
<input type="checkbox"/> S-LTIF 6536	1 - RA 6536 Tile Insert Frame 1 - GL 6536 PVC Channel 2 - EL 65 PVC Stop End 1 - SL 65 PVC Outlet Section 1 - S 50 PVC Threaded Outlet 1 - HS 2 2" Hair Strainer 2 - CT 36 Channel Trim 1 - AKEY Lift Out Key 1 - CS 6536 Channel Spacer	36"	35 7/8"
<input type="checkbox"/> S-LTIF 6548	1 - RA 6548 Tile Insert Frame 1 - GL 6548 PVC Channel 2 - EL 65 PVC Stop End 1 - SL 65 PVC Outlet Section 1 - S 50 PVC Threaded Outlet 1 - HS 2 2" Hair Strainer 2 - CT 48 Channel Trim 1 - AKEY Lift Out Key 1 - CS 6548 Channel Spacer	48"	47 7/8"
<input type="checkbox"/> S-LTIF 6560	1 - RA 6560 Tile Insert Frame 1 - GL 6560 PVC Channel 2 - EL 65 PVC Stop End 1 - SL 65 PVC Outlet Section 1 - S 50 PVC Threaded Outlet 1 - HS 2 2" Hair Strainer 2 - CT 60 Channel Trim 1 - AKEY Lift Out Key 1 - CS 6560 Channel Spacer	60"	59 7/8"

Finishes

- Satin Stainless
 Polished Stainless
 Matte Black
 Satin Bronze
 Oil Rubbed Bronze

Infinity Drain
 145 Dixon Avenue
 Amityville, NY 11701
 Phone: 516.767.6786
 Fax: 516.740.3066
 www.Infinitydrain.com

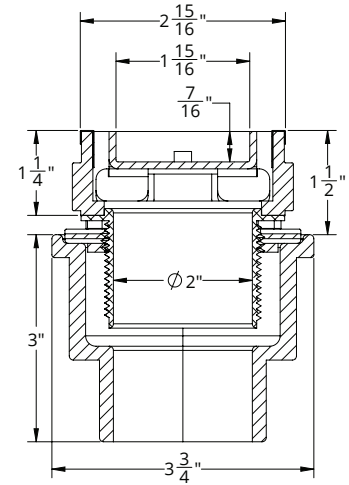
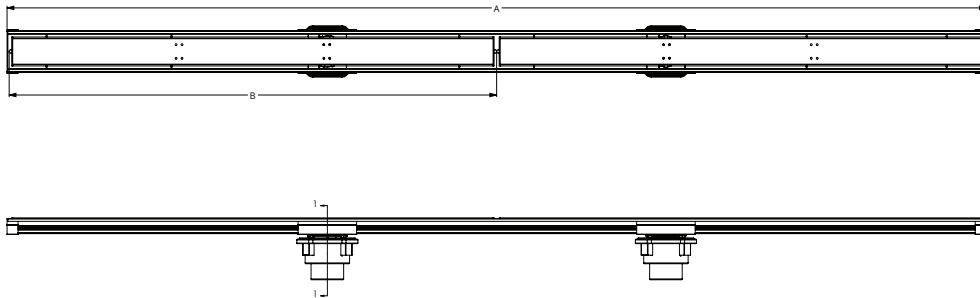


NOTE: Installer must verify all rough-in dimensions prior to installation and consult local and national codes. Conformity and compliance to local and national codes are the responsibility of the installer.

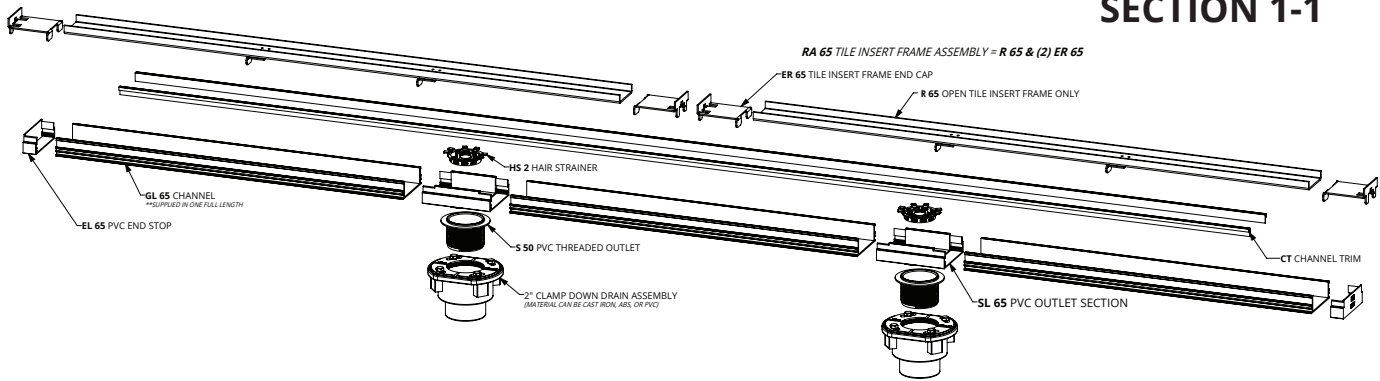
ID Infinity Drain

S-LTIF 6572

S-LTIF 6596



SECTION 1-1



Model Number	Complete Kit Contents	A (Maximum Overall Length)	B (Maximum Grate Length)
<input type="checkbox"/> S-LTIF 6572	2 - RA 6536 Tile Insert Frame 1 - GL 6572 PVC Channel 2 - EL 65 PVC Stop End 2 - SL 65 PVC Outlet Section 2 - S 50 PVC Threaded Outlet 2 - HS 2 2" Hair Strainer 2 - CT 72 Channel Trim 1 - AKEY Lift Out Key 1 - CS 6572 Channel Spacer	72"	35 7/8"
<input type="checkbox"/> S-LTIF 6596	2 - RA 6548 Tile Insert Frame 1 - GL 6596 PVC Channel 2 - EL 65 PVC Stop End 2 - SL 65 PVC Outlet Section 2 - S 50 PVC Threaded Outlet 2 - HS 2 2" Hair Strainer 2 - CT 96 Channel Trim 1 - AKEY Lift Out Key 1 - CS 6596 Channel Spacer	96"	47 7/8"

Finishes

- Satin Stainless
 Polished Stainless
 Matte Black
 Satin Bronze
 Oil Rubbed Bronze

Infinity Drain
 145 Dixon Avenue
 Amityville, NY 11701
 Phone: 516.767.6786
 Fax: 516.740.3066
 www.Infinitydrain.com



NOTE: Installer must verify all rough-in dimensions prior to installation and consult local and national codes. Conformity and compliance to local and national codes are the responsibility of the installer.

ID Infinity Drain

ADDITIONAL INFORMATION

Threshold Installation

For threshold installs, we recommend the drain run exactly wall-to-wall to block any water from leaving the shower or wet area. We do not recommend thinner or tile-in type drains for threshold installations due to the lack of channel width needed to sufficiently catch the water.

Site Sizable models that are NOT recommended for Threshold Installation include:

S-AG 38, S-LAG 38, S-LT 38, S-DG 38,
S-LTIF 65, S-TIFAS 65, S-TIF 65, S-TIFAS 99

Wall to Wall Installation

One way to ensure proper drainage is to install the linear drain from wall-to-wall. The Site Sizable (S) Series is a flexible solution, which allows for "site sizing" the length of the drain by cutting the grate and channel to the exact finished wall-to-wall dimension. Infinity Drain's FX, FF, & FT series can be custom fabricated for the exact desired length and outlet location.

Against a Wall Installation

The (S) Site Sizable and Fixed (FX) Series require a traditional clamping drain body for PVC Liner, Chloroloy, Lead Pan, Copper, Fiberglass, and Hot Mop type waterproofing. The diameter of the clamp down drain body creates a challenge for flush against the wall installations.

To properly achieve against the wall installations, it is recommended to build out the back wall with a double layer of wall board.

Outlets

Site sizable products can be used in both indoor and outdoor applications. For indoor installations, we recommend one outlet for every 60" of drain. Our 72", 80", and 96" kits come standard with two outlet assemblies. Site Sizable (S) Series can add additional outlet components to the kit. Outdoor installations: Outlet frequency is dependent on drain application and geographic location. Please contact us with questions regarding your specific installation.

Infinity Drain's Site Sizable (S) linear drains can be joined together to create infinite lengths for outdoor and indoor applications. We offer threaded and non-threaded outlets, 90° angle joiners, straight joiners, and custom fabrication.

Optional Components

F 65	PVC Non-Threaded Outlet
GJL 65	PVC Straight Joiner Strip
GAL 65	PVC 90° Angle Joiner
TNRN-P	PVC Threaded Extension Nipple
UCP 2	Universal 2" Clamping Plate
UCP 4	Universal 4" Clamping Plate
UCP 42	Universal Reducing Plate (Adapts 4" or 3" existing throat size to 2")

Add Clamp Down Drain

CDA 22	Clamp Down Drain ABS
CDI 22	Clamp Down Drain Cast Iron
CDP 22	Clamp Down Drain PVC

Available components for longer lengths

RA 6536	36" Tile Insert Frame	EL 65	PVC Stop End
RA 6548	48" Tile Insert Frame	SL 65	PVC Outlet Section
RA 6560	60" Tile Insert Frame	S 50	PVC Threaded Nipple
GL 6536	36" PVC Channel	CT 36	36" Channel Trim
GL 6548	48" PVC Channel	CT 48	48" Channel Trim
GL 6560	60" PVC Channel	CT 60	60" Channel Trim
GL 6572	72" PVC Channel	CT 72	72" Channel Trim
GL 6596	96" PVC Channel	CT 96	96" Channel Trim
GL 65108	108" PVC Channel		

NOTE: For indoor applications and outdoor applications where exposure to users without footwear is possible Channel trim (CT) is not recommended on drains over 96" or drains with configurations that include turns.

The installation of channel trim on site sizable linear drains that fall within the outlined conditions listed are at the judgement of the installer, independent of Infinity Drain, LTD.

Infinity Drain
145 Dixon Avenue
Amityville, NY 11701
Phone: 516.767.6786
Fax: 516.740.3066
www.Infinitydrain.com



NOTE: Installer must verify all rough-in dimensions prior to installation and consult local and national codes. Conformity and compliance to local and national codes are the responsibility of the installer.