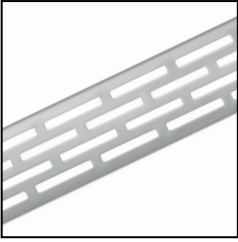


# ID Infinity Drain



## S-LT 38 Series

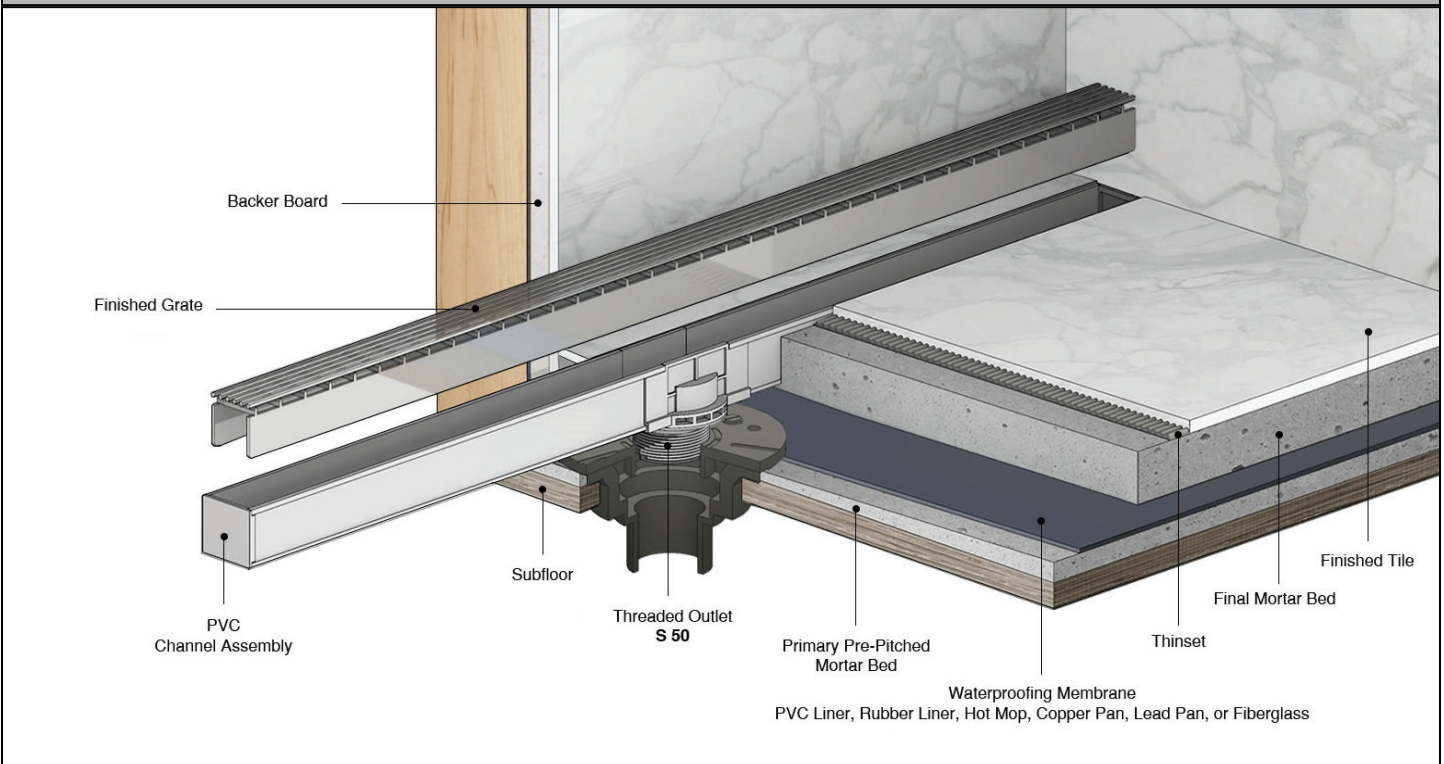
LOW PROFILE  
SITE SIZABLE PVC

- S-LT 3836 - 36" Complete Kit
- S-LT 3848 - 48" Complete Kit
- S-LT 3860 - 60" Complete Kit
- S-LT 3872 - 72" Complete Kit
- S-LT 3896 - 96" Complete Kit

### Features

- Modify length and outlet location on site
- Indoor or outdoor use
- Low profile 1" Height
- 16 gauge, 304L stainless steel perforated grate
- Works with 2" clamp down floor with 2" throat/strainer size *(not included)*
- NOT INTENDED for installation across a barrier-free threshold
- Compatible with: PVC Liner, Rubber Liner (Chloraloy®), Hot Mop, Lead Pan, Copper Pan, or Fiberglass
- Flow rate - 9 gpm per outlet
  - Flow rate measured at outlet only. Measurement does not account for water in channel or sheeting on shower floor.
  - Additional outlets can be added and combined into a larger waste line to increase flow rates

### Installation



### Care & Maintenance

S-LT 38 stainless steel linear drain top grates are made of 304L stainless steel. This material is non-porous, hygienic, rust-free and extremely durable. Bar Keepers Friend® and Soft Scrub® are commonly available products that can be used to protect and clean your Satin Stainless drain cover. For stains that have been left for an excessive amount of time, stronger cleaning agents such as Steel Brite Cleaner may be needed. For Polished Stainless and other finishes we recommend a mild soap and a soft cloth for cleaning. DO NOT use any abrasive cleaners, scrub pads or allow household cleaning agents, such as bleach, to sit on the drain cover for a long period of time. Stainless steel does not rust. External factors, such as contamination from other highly ferrous metals, built up road salt, sea salt, or chlorine may have caused "surface" rust which can be removed using Barkeepers Friend®, Soft Scrub®, or Steel Brite Cleaner. Always follow the directions on the bottle. Follow proper maintenance procedures to prevent excessive surface rust. In areas of frequent exposure to salt, chlorine, and other chemical compounds, maintenance of the stainless grates should be performed at least 2-3 times per year.

**Infinity Drain**  
145 Dixon Avenue  
Amityville, NY 11701  
Phone: 516.767.6786  
Fax: 516.740.3066  
www.Infinitydrain.com



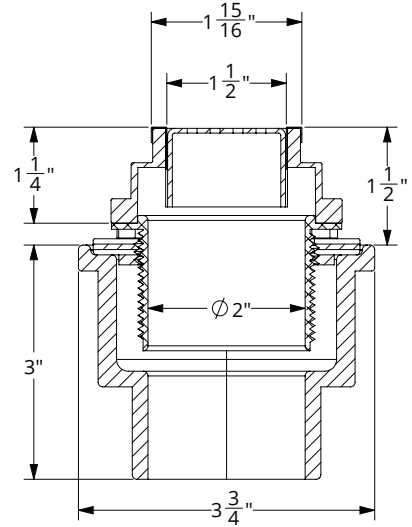
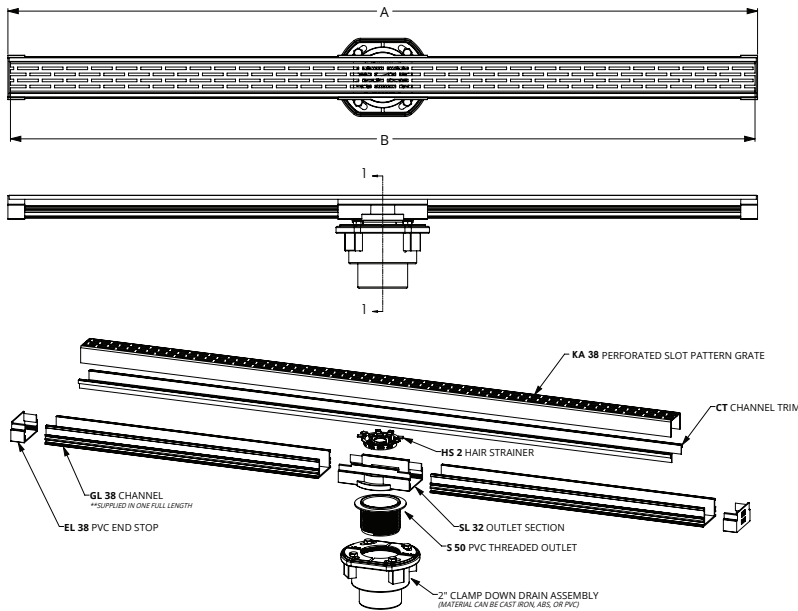
NOTE: Installer must verify all rough-in dimensions prior to installation and consult local and national codes. Conformity and compliance to local and national codes are the responsibility of the installer.

# ID Infinity Drain

S-LT 3836

S-LT 3848

S-LT 3860



**SECTION 1-1**

| Model Number                       | Complete Kit Contents  | A<br>(Maximum Overall Length) | B<br>(Maximum Grate Length) |
|------------------------------------|--|-------------------------------|-----------------------------|
| <input type="checkbox"/> S-LT 3836 | 1 - KA 3836 Stainless Steel Grate<br>1 - GL 3836 PVC Channel<br>2 - EL 38 PVC Stop End<br>1 - SL 32 PVC Outlet Section<br>1 - S 50 PVC Threaded Outlet<br>1 - HS 2 2" Hair Strainer<br>2 - CT 36 Channel Trim<br>1 - AKEY Lift Out Key<br>1 - CS 3836 Channel Spacer | 36"                           | 35 7/8"                     |
| <input type="checkbox"/> S-LT 3848 | 1 - KA 3848 Stainless Steel Grate<br>1 - GL 3848 PVC Channel<br>2 - EL 38 PVC Stop End<br>1 - SL 32 PVC Outlet Section<br>1 - S 50 PVC Threaded Outlet<br>1 - HS 2 2" Hair Strainer<br>2 - CT 48 Channel Trim<br>1 - AKEY Lift Out Key<br>1 - CS 3848 Channel Spacer | 48"                           | 47 7/8"                     |
| <input type="checkbox"/> S-LT 3860 | 1 - KA 3860 Stainless Steel Grate<br>1 - GL 3860 PVC Channel<br>2 - EL 38 PVC Stop End<br>1 - SL 32 PVC Outlet Section<br>1 - S 50 PVC Threaded Outlet<br>1 - HS 2 2" Hair Strainer<br>2 - CT 60 Channel Trim<br>1 - AKEY Lift Out Key<br>1 - CS 3860 Channel Spacer | 60"                           | 59 7/8"                     |

**Finishes**

- Satin Stainless    
  Polished Stainless    
  Matte Black    
  Satin Bronze    
  Oil Rubbed Bronze

**Infinity Drain**  
 145 Dixon Avenue  
 Amityville, NY 11701  
 Phone: 516.767.6786  
 Fax: 516.740.3066  
 www.Infinitydrain.com

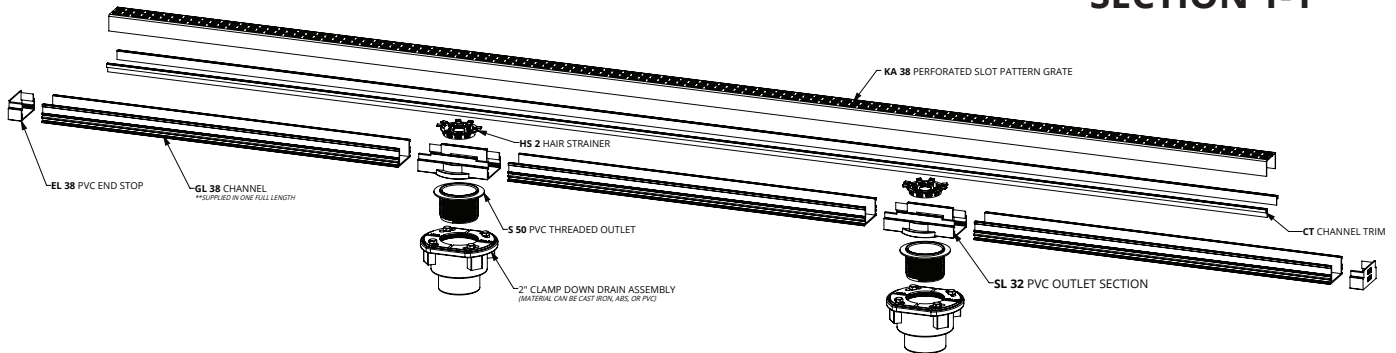
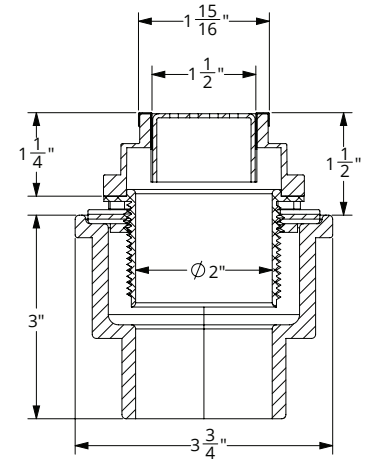
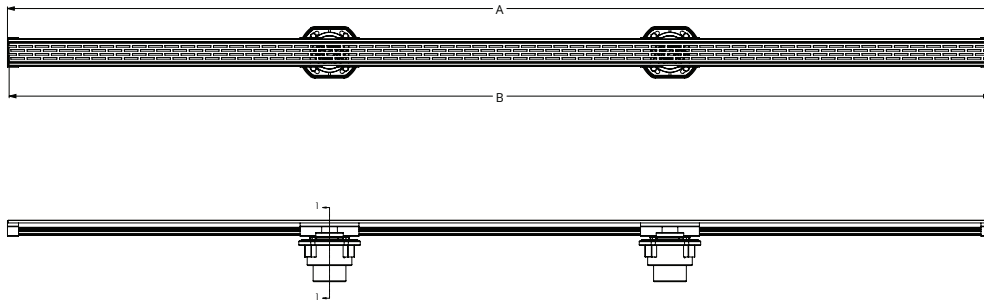


NOTE: Installer must verify all rough-in dimensions prior to installation and consult local and national codes. Conformity and compliance to local and national codes are the responsibility of the installer.

# ID Infinity Drain

S-LT 3872

S-LT 3896



| Model Number                       | Complete Kit Contents  | A<br>(Maximum Overall Length) | B<br>(Maximum Grate Length) |
|------------------------------------|--|-------------------------------|-----------------------------|
| <input type="checkbox"/> S-LT 3872 | 1 - KA 3872 Stainless Steel Grate<br>1 - GL 3872 PVC Channel<br>2 - EL 38 PVC Stop End<br>2 - SL 32 PVC Outlet Section<br>2 - S 50 PVC Threaded Outlet<br>2 - HS 2 2" Hair Strainer<br>2 - CT 72 Channel Trim<br>1 - AKEY Lift Out Key<br>1 - CS 3872 Channel Spacer | 72"                           | 71 7/8"                     |
| <input type="checkbox"/> S-LT 3896 | 1 - KA 3896 Stainless Steel Grate<br>1 - GL 3896 PVC Channel<br>2 - EL 38 PVC Stop End<br>2 - SL 32 PVC Outlet Section<br>2 - S 50 PVC Threaded Outlet<br>2 - HS 2 2" Hair Strainer<br>2 - CT 96 Channel Trim<br>1 - AKEY Lift Out Key<br>1 - CS 3896 Channel Spacer | 96"                           | 95 7/8"                     |

## Finishes

- Satin Stainless    
  Polished Stainless    
  Matte Black    
  Satin Bronze    
  Oil Rubbed Bronze

**Infinity Drain**  
 145 Dixon Avenue  
 Amityville, NY 11701  
 Phone: 516.767.6786  
 Fax: 516.740.3066  
 www.Infinitydrain.com



NOTE: Installer must verify all rough-in dimensions prior to installation and consult local and national codes. Conformity and compliance to local and national codes are the responsibility of the installer.

# ID Infinity Drain

## ADDITIONAL INFORMATION

### Threshold Installation

For threshold installs, we recommend the drain run exactly wall-to-wall to block any water from leaving the shower or wet area. We do not recommend thinner or tile-in type drains for threshold installations due to the lack of channel width needed to sufficiently catch the water.

Site Sizable models that are NOT recommended for Threshold Installation include:

S-AG 38, S-LAG 38, S-LT 38, S-DG 38, S-TIFAS 65, S-TIF 65, S-TIFAS 99

### Wall to Wall Installation

One way to ensure proper drainage is to install the linear drain from wall-to-wall. The Site Sizeable (S) Series is a flexible solution, which allows for "site sizing" the length of the drain by cutting the grate and channel to the exact finished wall-to-wall dimension. Infinity Drain's FX, FF, & FT series can be custom fabricated for the exact desired length and outlet location.

### Against a Wall Installation

The (S) Site Sizeable and Fixed (FX) Series require a traditional clamping drain body for PVC Liner, Chloroloy, Lead Pan, Copper, Fiberglass, and Hot Mop type waterproofing. The diameter of the clamp down drain body creates a challenge for flush against the wall installations.

To properly achieve against the wall installations, it is recommended to build out the back wall with a double layer of wall board.

### Outlets

Site sizeable products can be used in both indoor and outdoor applications. For indoor installations, we recommend one outlet for every 60" of drain. Our 72", 80", and 96" kits come standard with two outlet assemblies. Site Sizeable (S) Series can add additional outlet components to the kit. Outdoor installations: Outlet frequency is dependent on drain application and geographic location. Please contact us with questions regarding your specific installation.

**Infinity Drain's Site Sizable (S) linear drains can be joined together to create infinite lengths for outdoor and indoor applications. We offer threaded and non-threaded outlets, 90° angle joiners, straight joiners, and custom fabrication.**

### Optional Components

|        |  |
|--------|--|
| F 65   | PVC Non-Threaded Outlet  |
| GJL 38 | PVC Straight Joiner Strip  |
| GAL 38 | PVC 90° Angle Joiner   |
| TNRN-P | PVC Threaded Extension Nipple  |
| UCP 2  | Universal 2" Clamping Plate  |
| UCP 4  | Universal 4" Clamping Plate  |
| UCP 42 | Universal Reducing Plate<br>(Adapts 4" or 3" existing throat size to 2") |

### Add Clamp Down Drain

|        |                            |
|--------|----------------------------|
| CDA 22 | Clamp Down Drain ABS       |
| CDI 22 | Clamp Down Drain Cast Iron |
| CDP 22 | Clamp Down Drain PVC       |

### Available components for longer lengths

|          |                           |       |                     |
|----------|---------------------------|-------|---------------------|
| KA 3836  | 36" Stainless Steel Grate | EL 38 | PVC Stop End        |
| KA 3848  | 48" Stainless Steel Grate | SL 32 | PVC Outlet Section  |
| KA 3860  | 60" Stainless Steel Grate | S 50  | PVC Threaded Nipple |
| KA 3872  | 72" Stainless Steel Grate | CT 36 | 36" Channel Trim    |
| KA 3896  | 96" Stainless Steel Grate | CT 48 | 48" Channel Trim    |
| GL 3836  | 36" PVC Channel           | CT 60 | 60" Channel Trim    |
| GL 3848  | 48" PVC Channel           | CT 72 | 72" Channel Trim    |
| GL 3860  | 60" PVC Channel           | CT 96 | 96" Channel Trim    |
| GL 3872  | 72" PVC Channel           |       |                     |
| GL 3896  | 96" PVC Channel           |       |                     |
| GL 38108 | 108" PVC Channel          |       |                     |

NOTE: For indoor applications and outdoor applications where exposure to users without footwear is possible Channel trim (CT) is not recommended on drains over 96" or drains with configurations that include turns.

The installation of channel trim on site sizeable linear drains that fall within the outlined conditions listed are at the judgement of the installer, independent of Infinity Drain, LTD.

**Infinity Drain**  
145 Dixon Avenue  
Amityville, NY 11701  
Phone: 516.767.6786  
Fax: 516.740.3066  
www.Infinitydrain.com



NOTE: Installer must verify all rough-in dimensions prior to installation and consult local and national codes. Conformity and compliance to local and national codes are the responsibility of the installer.