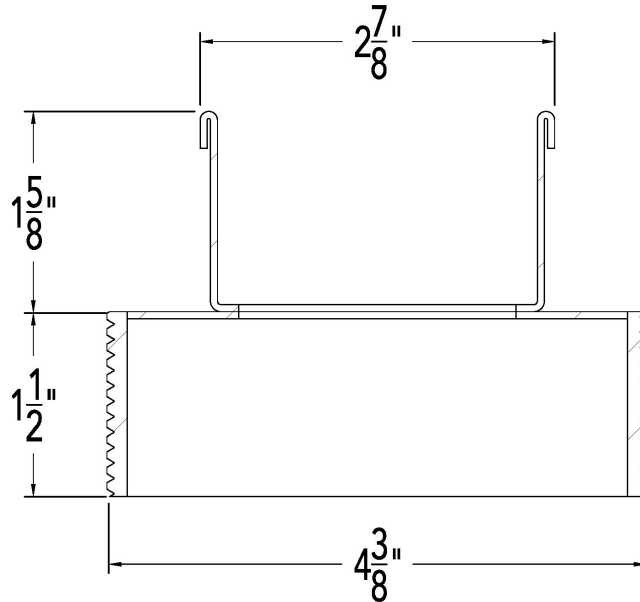
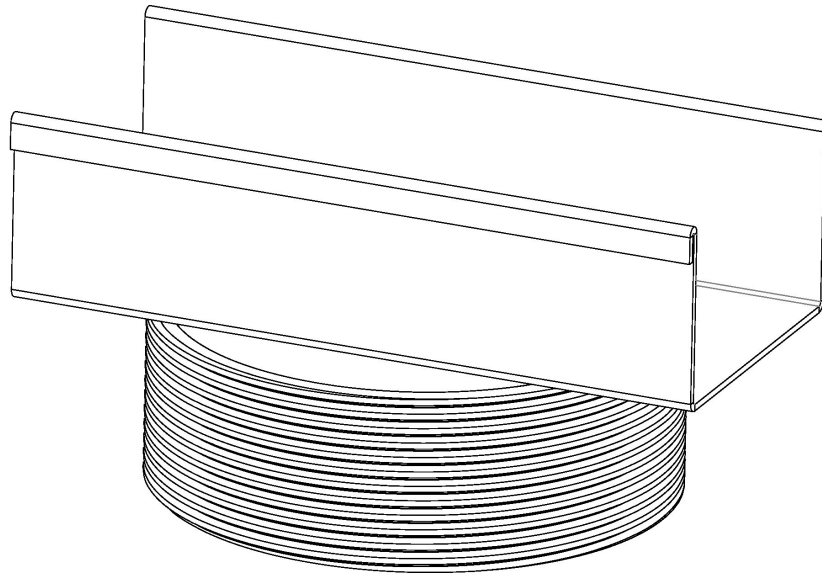
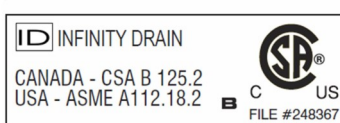


# HF 99 Specifications



**8" Stainless steel outlet assembly for S-TIFAS 99 Series w/ 4" threaded nipple attached**

**Infinity Drain**  
18 Secatoag Avenue  
Port Washington, NY 11050  
Phone: 516.767.6786  
Fax: 516.740.3066  
www.InfinityDrain.com



**Note:** Installer must verify all rough-in dimensions prior to installation and consult local and national codes. Conformity and compliance to local and national codes are the responsibility of the installer.