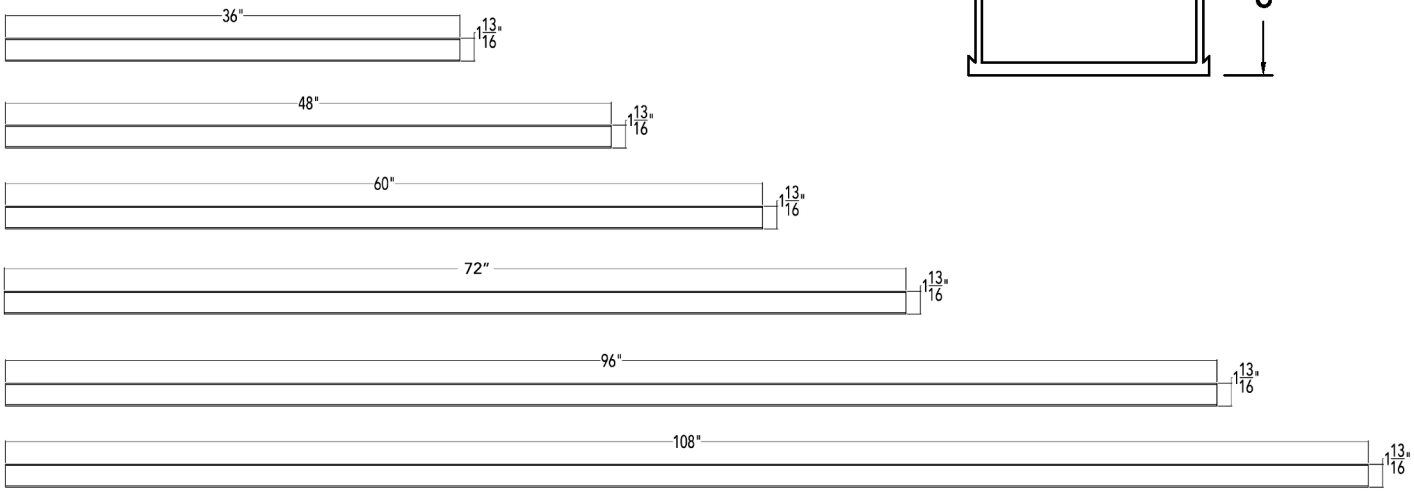
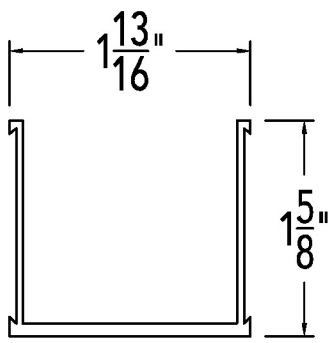
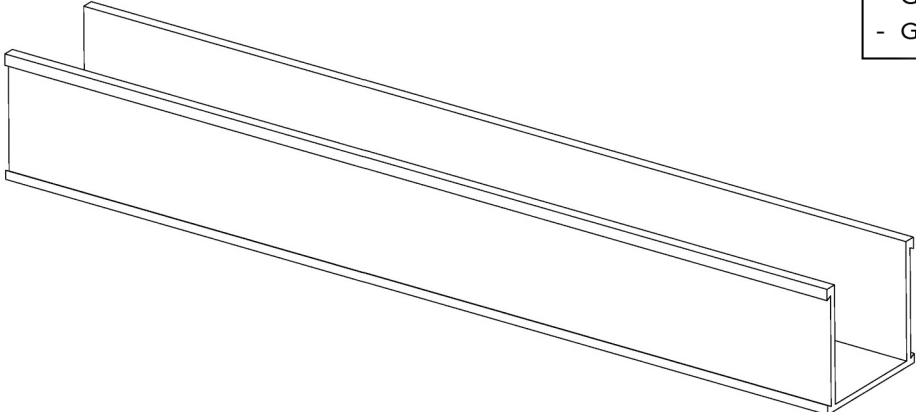


# G 38 Specifications

- G 38:**
- PVC Channel for S-AG/DG 38 Series
- Models** (overall dimension):
- G 3836: 36" L x 1-13/16" W x 1 5/8" H
  - G 3848: 48" L x 1-13/16" W x 1 5/8" H
  - G 3860: 60" L x 1-13/16" W x 1 5/8" H
  - G 3872: 72" L x 1-13/16" W x 1 5/8" H
  - G 3896: 96" L x 1-13/16" W x 1 5/8" H
  - G 38108: 108" L x 1-13/16" W x 1 5/8" H



**Infinity Drain**  
 18 Secatoag Avenue  
 Port Washington, NY 11050  
 Phone: 516.767.6786  
 Fax: 516.740.3066  
 www.InfinityDrain.com



**ID** INFINITY DRAIN

CANADA - CSA B 125.2  
 USA - ASME A112.18.2

**SP**®  
 C US  
 FILE #248367

**Note:** Installer must verify all rough-in dimensions prior to installation and consult local and national codes. Conformity and compliance to local and national codes are the responsibility of the installer.