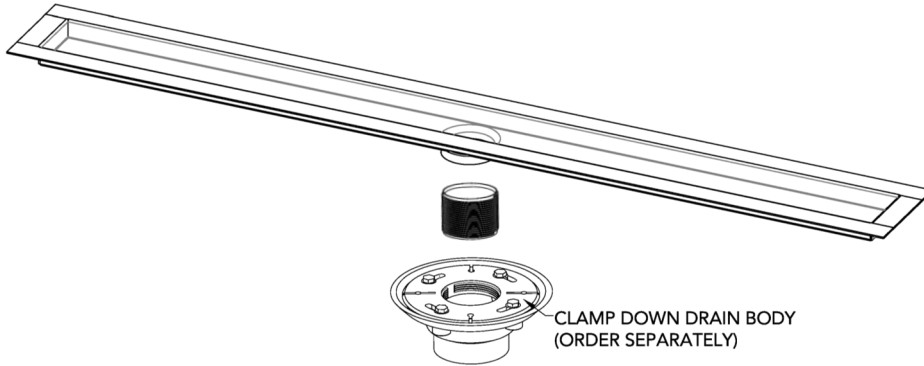
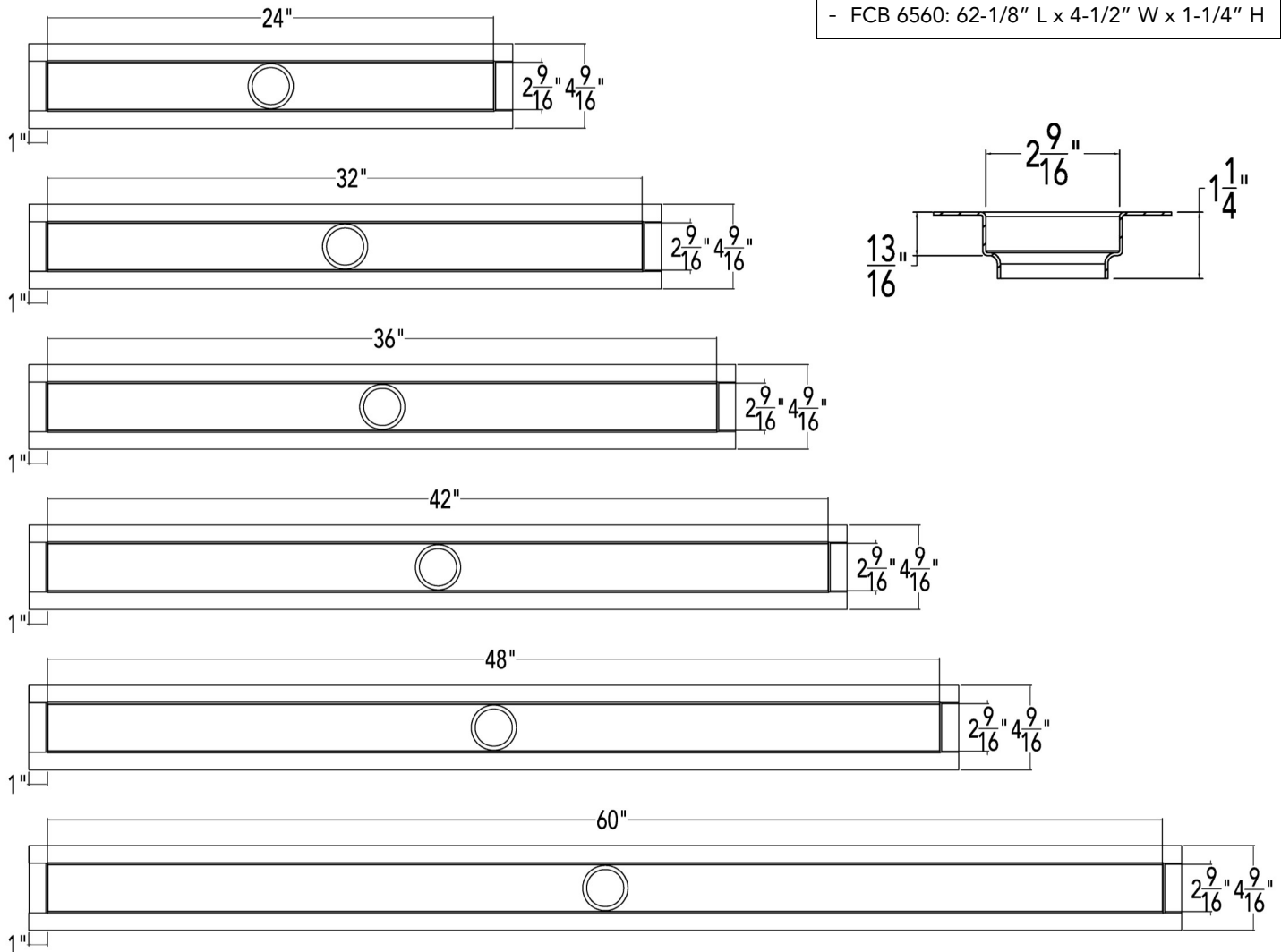


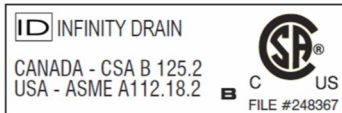
FCB 65 Specifications



- FCB 65:**
- Fixed flanged channel with standard clamping floor drain for FFED, FFDG, FFMN, FFAS, FFTIF Series
 - Waterproofing: Liquid membrane, Fabric sheet
 - Set Length with center outlet location
 - Metal edge detail available ME 96
 - Custom sizes available
- Models (overall dimension):**
- FCB 6532: 34-1/8" L x 4-1/2" W x 1-1/4" H
 - FCB 6536: 38-1/8" L x 4-1/2" W x 1-1/4" H
 - FCB 6542: 44-1/8" L x 4-1/2" W x 1-1/4" H
 - FCB 6548: 50-1/8" L x 4-1/2" W x 1-1/4" H
 - FCB 6560: 62-1/8" L x 4-1/2" W x 1-1/4" H



Infinity Drain
 18 Secatoag Avenue
 Port Washington, NY 11050
 Phone: 516.767.6786
 Fax: 516.740.3066
 www.InfinityDrain.com



Note: Installer must verify all rough-in dimensions prior to installation and consult local and national codes. Conformity and compliance to local and national codes are the responsibility of the installer.