

# S-AS 99 Series

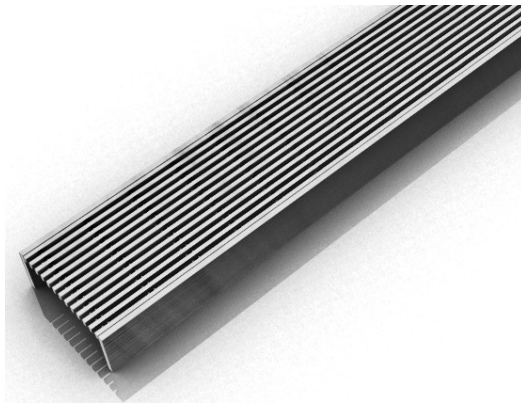
## S-AS 99 | Site Sizeable

- Modify length and locate outlet on-site
- Indoor or outdoor use
- 316 Wedge Wire stainless steel grate
- Stainless Steel channel
- Works with 3" clamp down floor drain with 4" throat (strainer size)
- Uses Hot Mop, Lead Pan, PVC Vinyl Liner, Rubber Liner (Chloraloy™) Copper Pan or Fiberglass waterproofing
- Grate can be removed completely for cleaning
- Flow rate 21 GPM per outlet\*

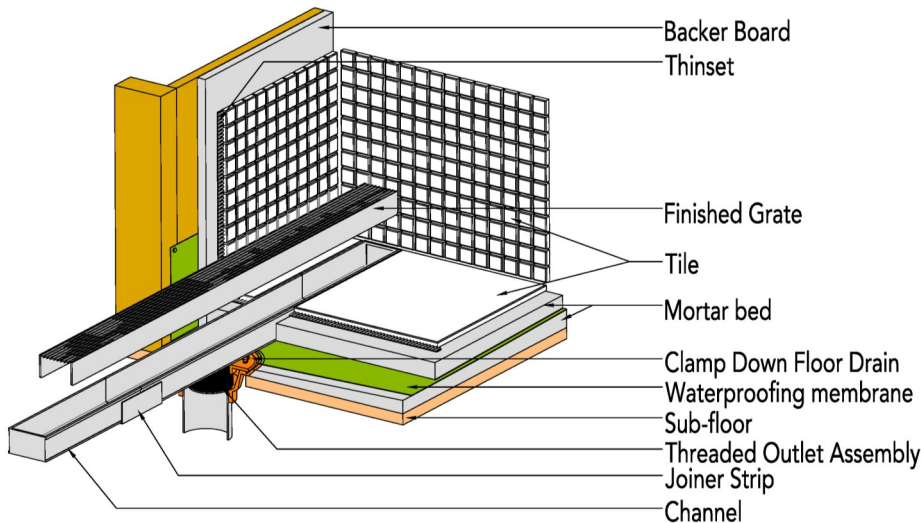
\*Flow rate measured at outlet only. Measurement does not account for water in channel or sheeting on shower floor.

### Finishes:

- Satin Stainless
- Polished Stainless



## Installation (S) Site Sizable



### Complete Kits:

|           |                  |
|-----------|------------------|
| S-AS 9936 | 36" Complete Kit |
| S-AS 9948 | 48" Complete Kit |
| S-AS 9960 | 60" Complete Kit |
| S-AS 9972 | 72" Complete Kit |
| S-AS 9996 | 96" Complete Kit |

### Longer lengths for indoor or outdoor installations.

### Components:

|          |                                    |
|----------|------------------------------------|
| SA 6536  | 36" Stainless Steel Grate          |
| SA 6548  | 48" Stainless Steel Grate          |
| SA 6560  | 60" Stainless Steel Grate          |
| SC 6548  | 48" Stainless Open Ended Channel   |
| SC 6596  | 96" Stainless Open Ended Channel   |
| LC 6528  | 28" Stainless Closed Ended Channel |
| LC 6540  | 40" Stainless Closed Ended Channel |
| LC 6552  | 52" Stainless Closed Ended Channel |
| LC 6564  | 64" Stainless Closed Ended Channel |
| LC 6588  | 88" Stainless Closed Ended Channel |
| LF 99    | 8" Stainless Steel Outlet Section  |
| GJS 65   | Stainless Steel Joiner Strip       |
| SE 65    | Stainless Steel End Section        |
| TNAS     | Threaded Nipple                    |
| Sikaflex | 1a Construction Sealant            |
| CDI 43   | Cast Iron Drain Body               |

### Additional Clamp Down Drains:

|         |                            |
|---------|----------------------------|
| CDA 43  | Clamp Down Drain ABS       |
| CDP 43  | Clamp Down Drain PVC       |
| CDIT 43 | Clamp Down Drain Cast Iron |
| CDIC 43 | Clamp Down Drain Cast Iron |

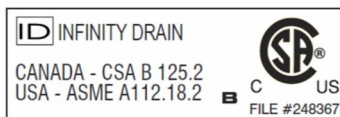
\*Cast Iron Standard

### Optional Components:

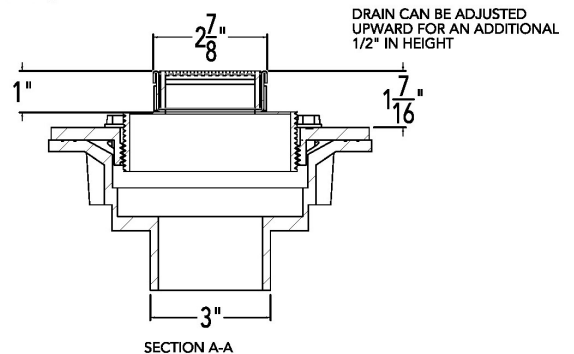
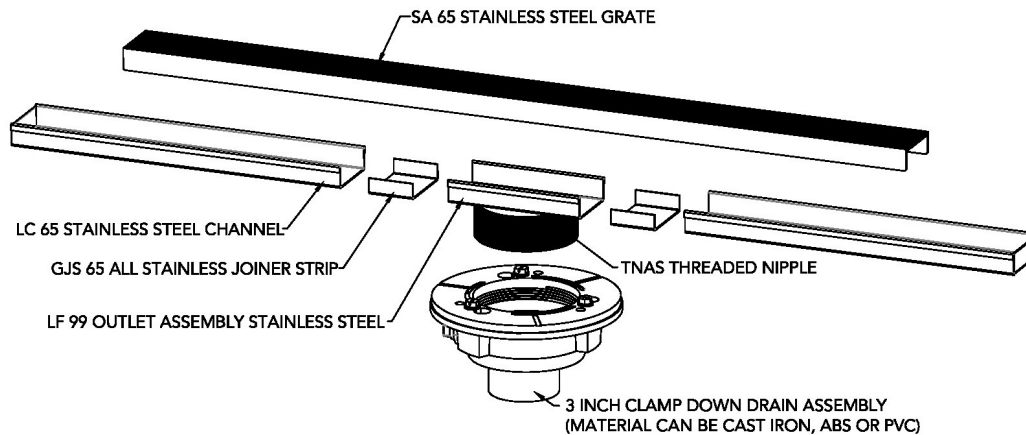
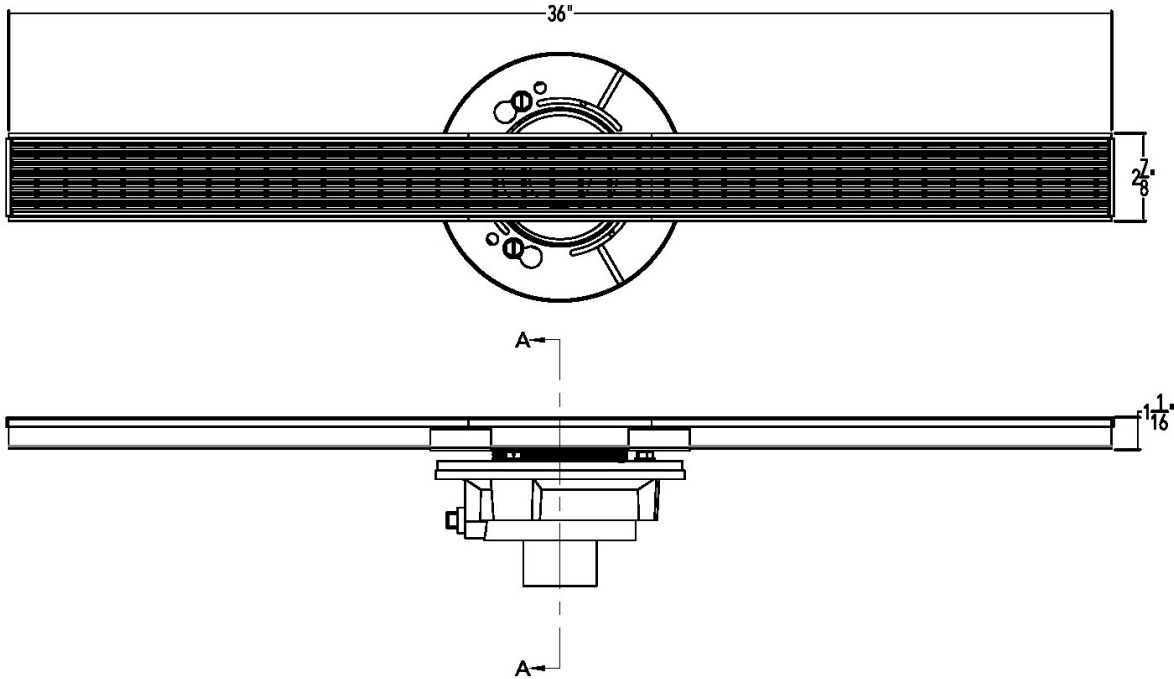
|        |                                  |
|--------|----------------------------------|
| SLA 65 | Stainless Steel 90° Angle Joiner |
| UCP 4  | Universal 4" Clamping Plate      |

**Note:** Installer must verify all rough-in dimensions prior to installation and consult local and national codes. Conformity and compliance to local and national codes are the responsibility of the installer.

**Infinity Drain**  
 18 Secatoag Avenue  
 Port Washington, NY 11050  
 Phone: 516.767.6786  
 Fax: 516.740.3066  
 www.InfinityDrain.com



# S-AS 9936 Specifications



## AS 9936

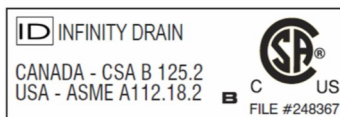
### 36" Complete Kit Includes:

(36 1/8" l x 2 7/8" w x 1" h)

- 1 - SA 6536 Stainless Steel Grate
- 1 - LC 6528 Stainless Steel Channel
- 1 - LF 99 8" Outlet Section Stainless Steel
- 2 - GJS 65 All Stainless Joiner Strip
- 1 - Sikaflex 1a Construction Sealant
- 1 - CDI 43 Cast Iron Drain Body

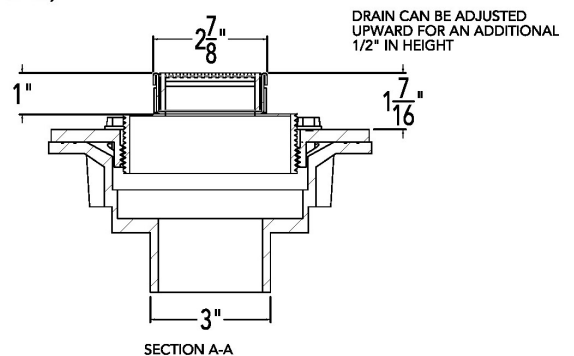
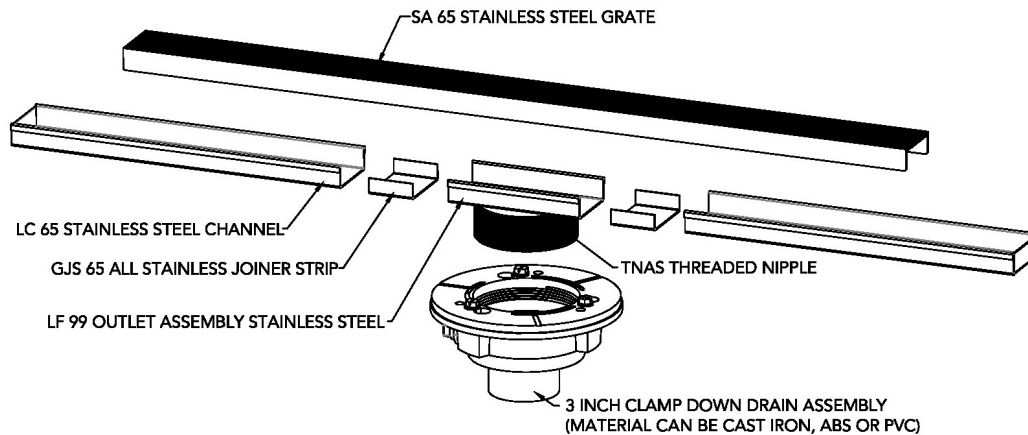
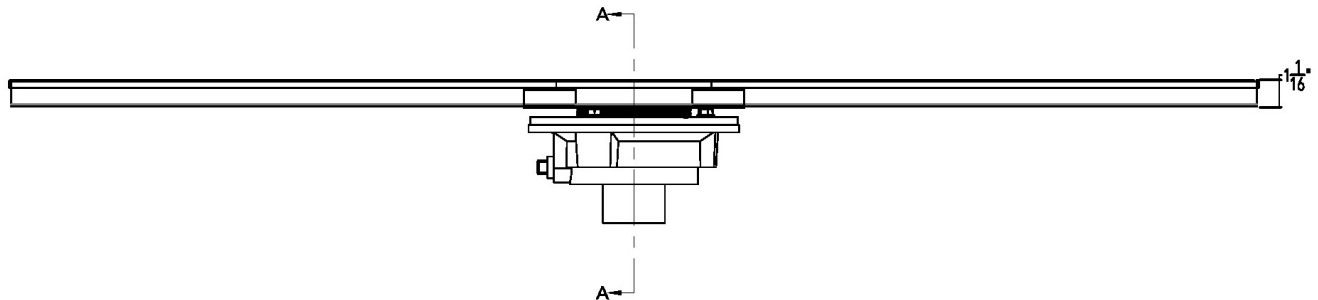
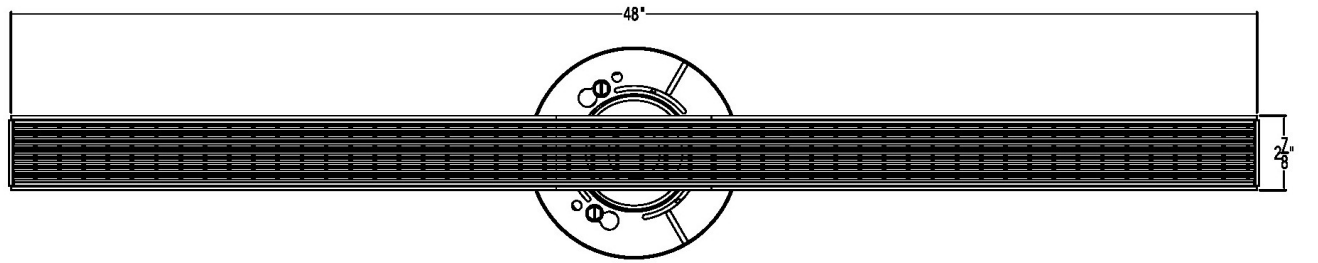
### Infinity Drain

18 Secatoag Avenue  
 Port Washington, NY 11050  
 Phone: 516.767.6786  
 Fax: 516.740.3066  
 www.InfinityDrain.com



**Note:** Installer must verify all rough-in dimensions prior to installation and consult local and national codes. Conformity and compliance to local and national codes are the responsibility of the installer.

# S-AS 9948 Specifications



## AS 9936

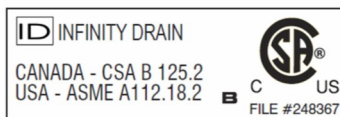
### 36" Complete Kit Includes:

(36 1/8" l x 2 7/8" w x 1" h)

- 1 - SA 6536 Stainless Steel Grate
- 1 - LC 6528 Stainless Steel Channel
- 1 - LF 99 8" Outlet Section Stainless Steel
- 2 - GJS 65 All Stainless Joiner Strip
- 1 - Sikaflex 1a Construction Sealant
- 1 - CDI 43 Cast Iron Drain Body

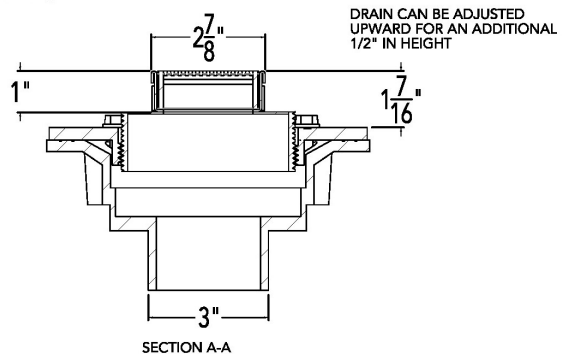
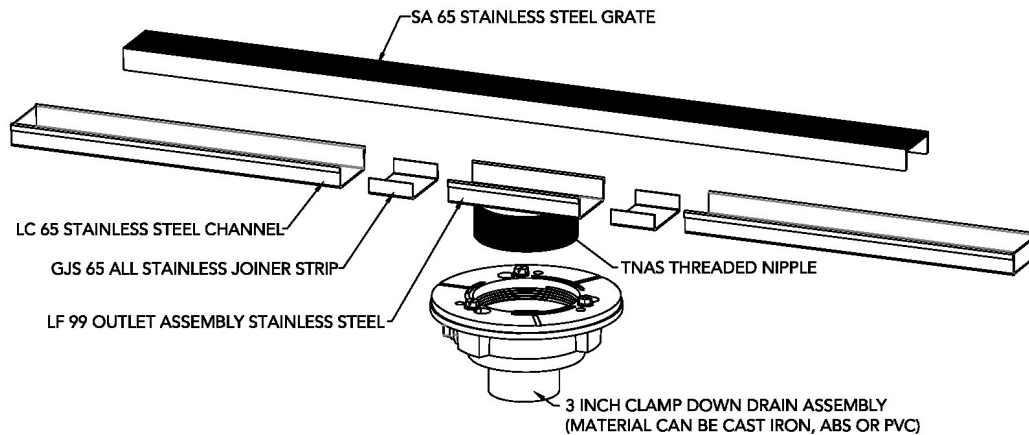
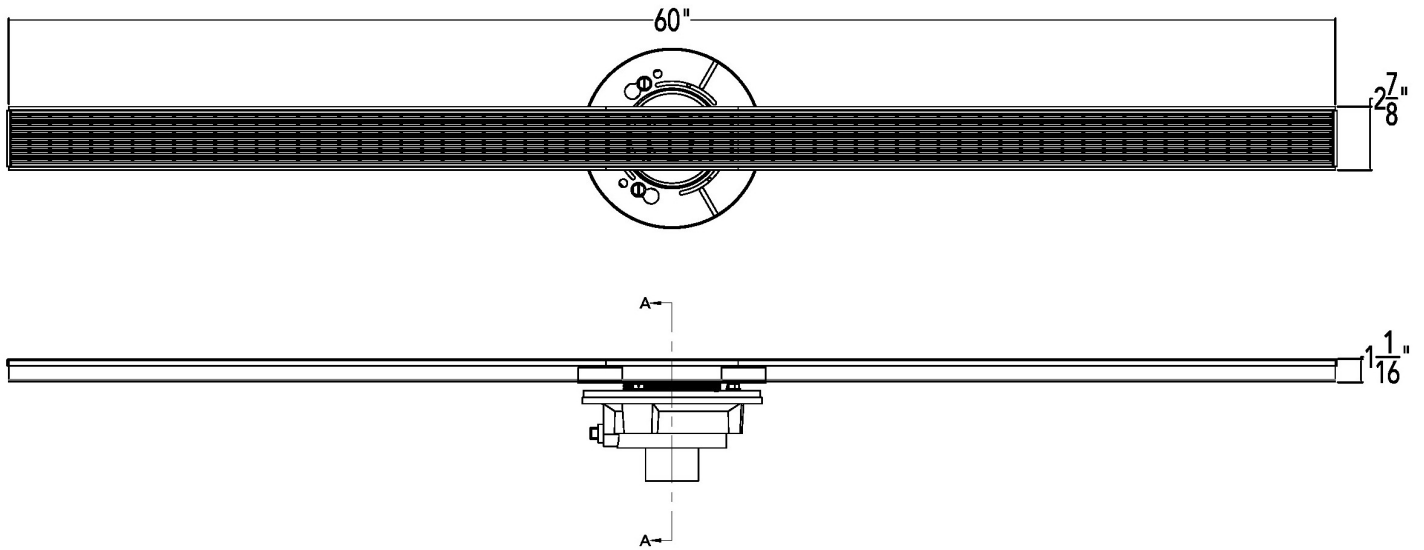
### Infinity Drain

18 Secatoag Avenue  
 Port Washington, NY 11050  
 Phone: 516.767.6786  
 Fax: 516.740.3066  
 www.InfinityDrain.com



**Note:** Installer must verify all rough-in dimensions prior to installation and consult local and national codes. Conformity and compliance to local and national codes are the responsibility of the installer.

# S-AS 9960 Specifications



## AS 9936

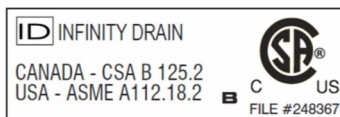
### 36" Complete Kit Includes:

(36 1/8" l x 2 7/8" w x 1" h)

- 1 - SA 6536 Stainless Steel Grate
- 1 - LC 6528 Stainless Steel Channel
- 1 - LF 99 8" Outlet Section Stainless Steel
- 2 - GJS 65 All Stainless Joiner Strip
- 1 - Sikaflex 1a Construction Sealant
- 1 - CDI 43 Cast Iron Drain Body

### Infinity Drain

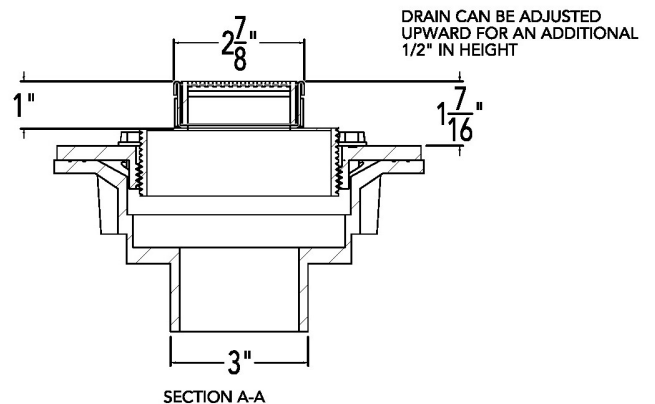
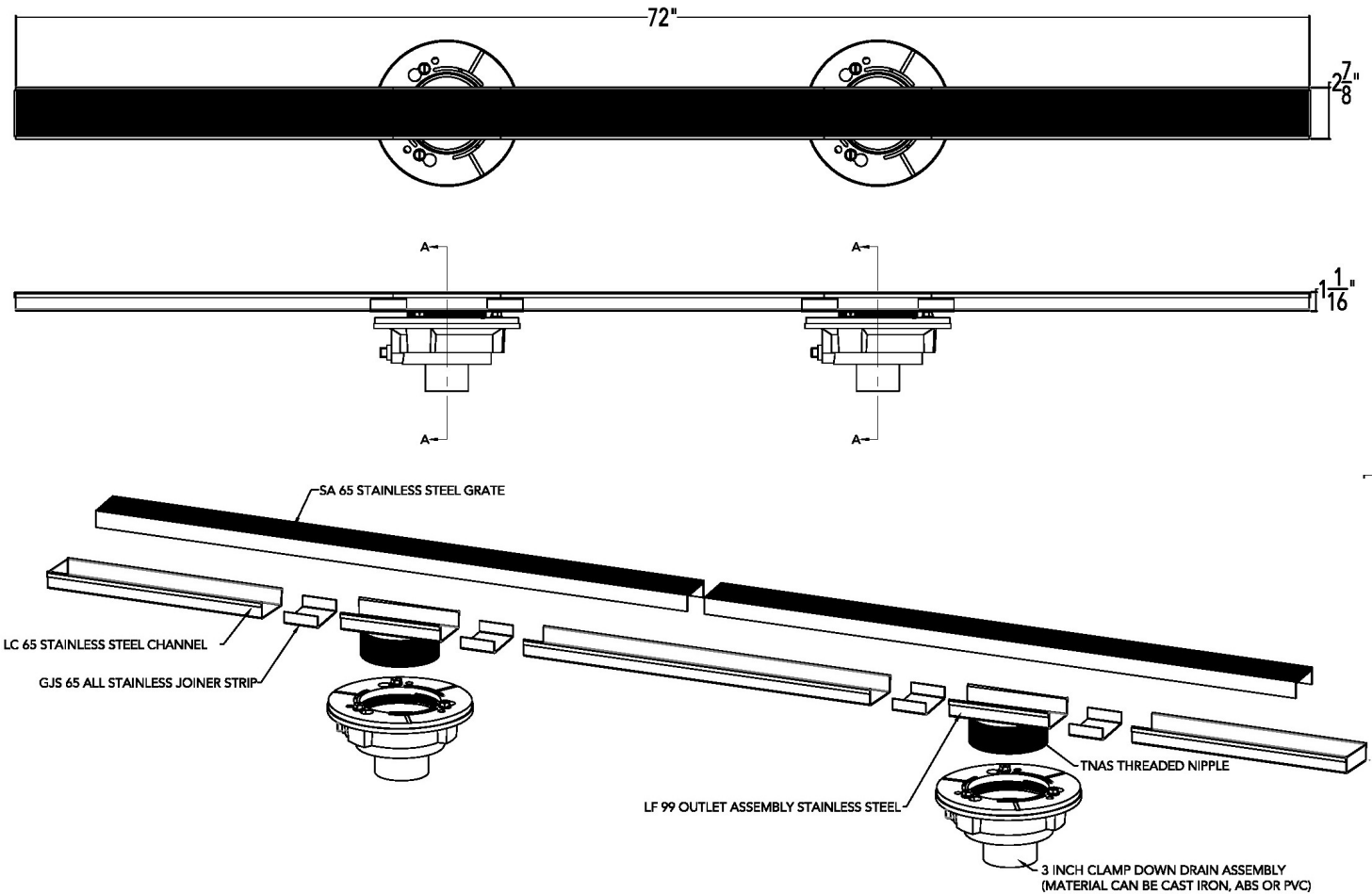
18 Secatoag Avenue  
 Port Washington, NY 11050  
 Phone: 516.767.6786  
 Fax: 516.740.3066  
 www.InfinityDrain.com



**Note:** Installer must verify all rough-in dimensions prior to installation and consult local and national codes. Conformity and compliance to local and national codes are the responsibility of the installer.

# S-AS 9972 Specifications

**ID** Infinity Drain



## AS 9936

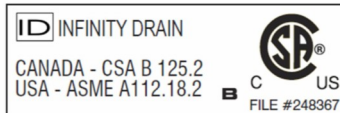
### 36" Complete Kit Includes:

(36 1/8" l x 2 7/8" w x 1" h)

- 1 - SA 6536 Stainless Steel Grate
- 1 - LC 6528 Stainless Steel Channel
- 1 - LF 99 8" Outlet Section Stainless Steel
- 2 - GJS 65 All Stainless Joiner Strip
- 1 - Sikaflex 1a Construction Sealant
- 1 - CDI 43 Cast Iron Drain Body

## Infinity Drain

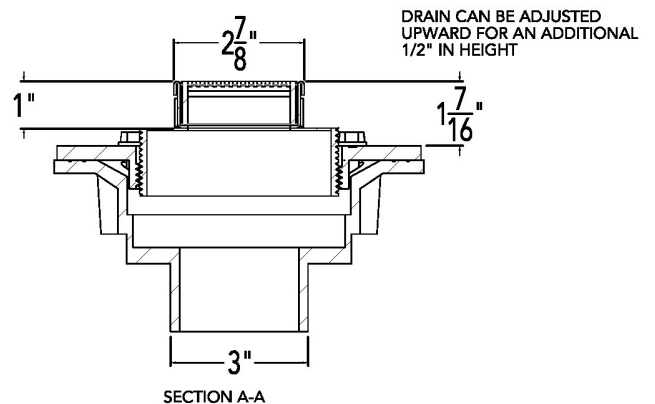
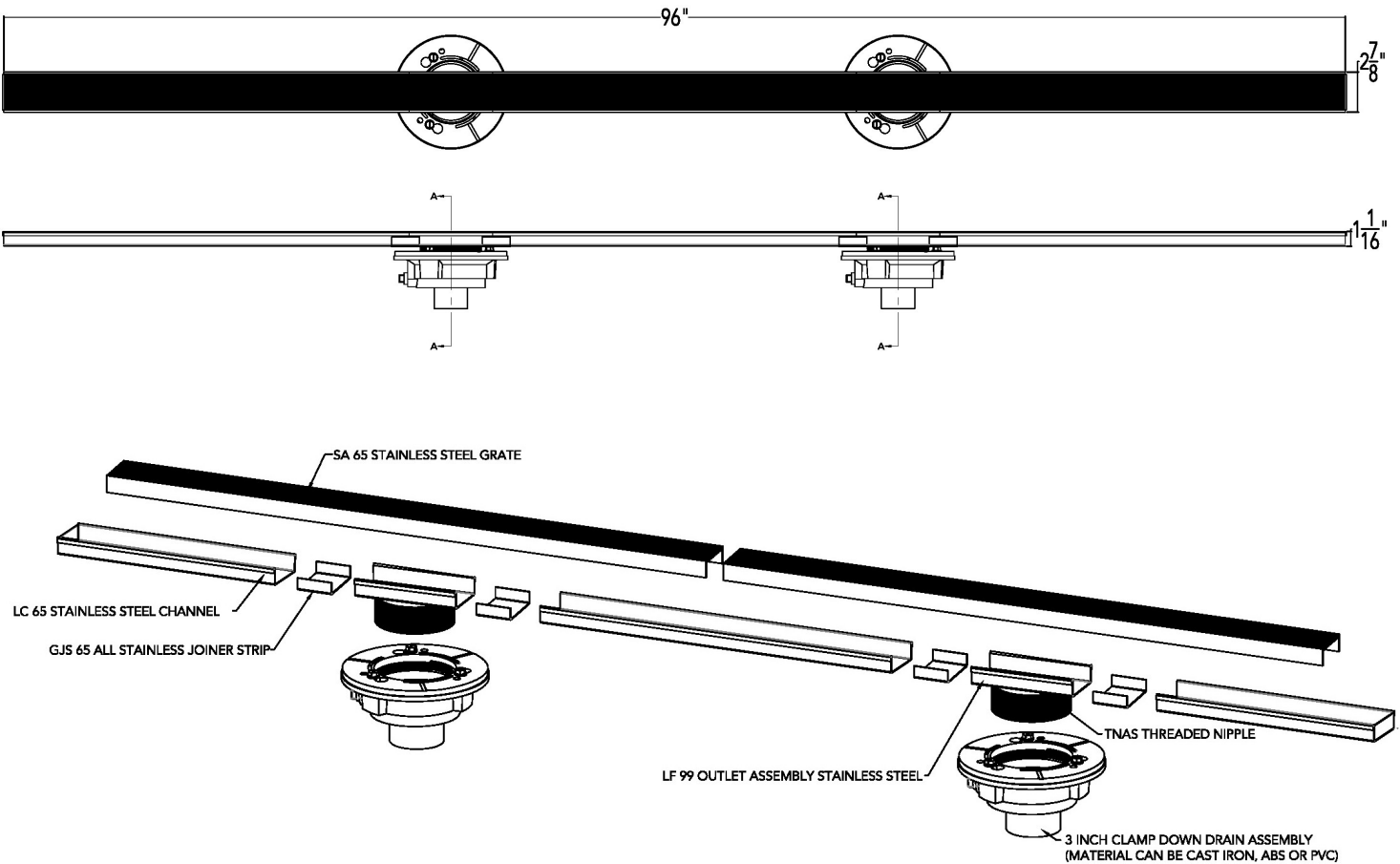
18 Secatoag Avenue  
 Port Washington, NY 11050  
 Phone: 516.767.6786  
 Fax: 516.740.3066  
 www.InfinityDrain.com



**Note:** Installer must verify all rough-in dimensions prior to installation and consult local and national codes. Conformity and compliance to local and national codes are the responsibility of the installer.

# S-AS 9996 Specifications

**ID** Infinity Drain



## AS 9936

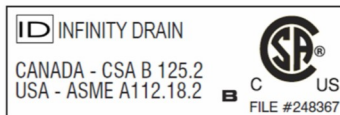
### 36" Complete Kit Includes:

(36 1/8" l x 2 7/8" w x 1" h)

- 1 - SA 6536 Stainless Steel Grate
- 1 - LC 6528 Stainless Steel Channel
- 1 - LF 99 8" Outlet Section Stainless Steel
- 2 - GJS 65 All Stainless Joiner Strip
- 1 - Sikaflex 1a Construction Sealant
- 1 - CDI 43 Cast Iron Drain Body

## Infinity Drain

18 Secatoag Avenue  
 Port Washington, NY 11050  
 Phone: 516.767.6786  
 Fax: 516.740.3066  
 www.InfinityDrain.com



**Note:** Installer must verify all rough-in dimensions prior to installation and consult local and national codes. Conformity and compliance to local and national codes are the responsibility of the installer.