

# D 38 Specifications

**D 38:**

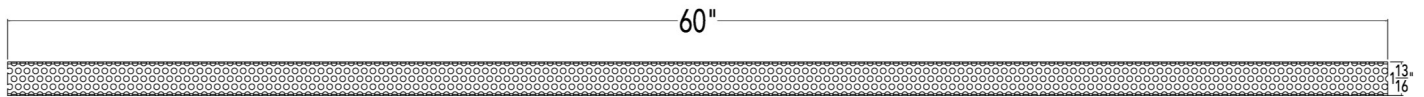
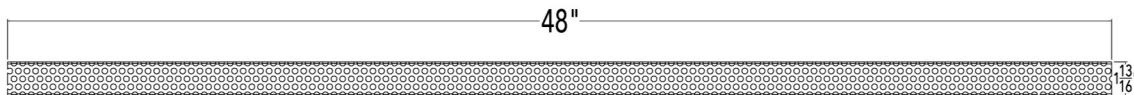
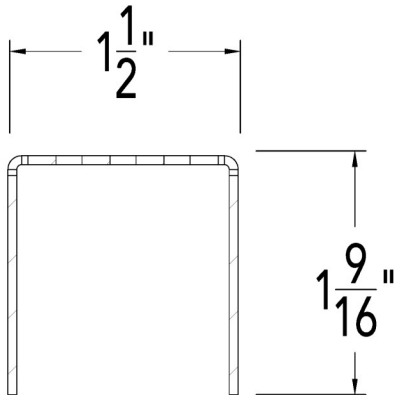
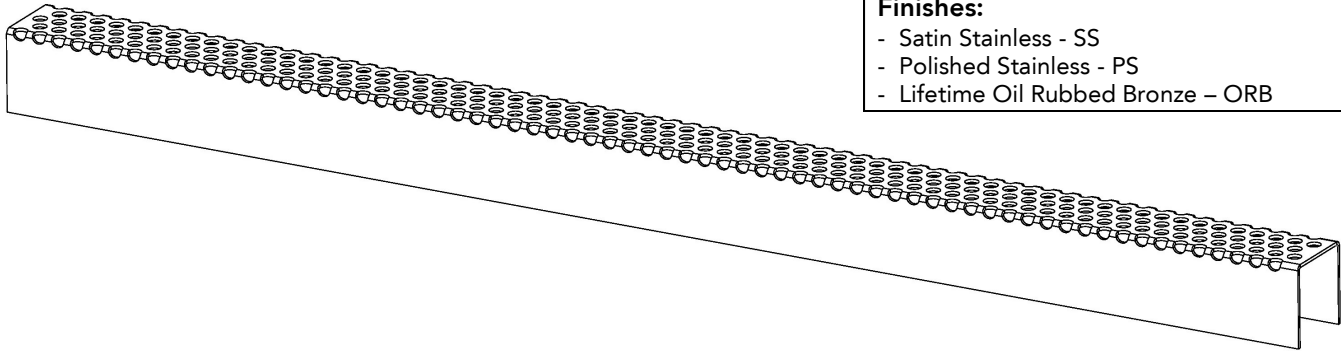
- Circular perforated grate for S-DG 38
- 16 gauge, 304 stainless steel

**Models** (overall dimension):

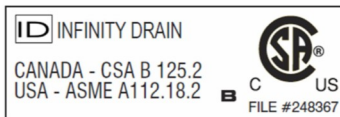
- D 3848: 47-7/8" L x 1-1/2" W x 1-9/16" H
- D 3860: 59-7/8" L x 1-1/2" W x 1-9/16" H

**Finishes:**

- Satin Stainless - SS
- Polished Stainless - PS
- Lifetime Oil Rubbed Bronze – ORB



**Infinity Drain**  
 18 Secatoag Avenue  
 Port Washington, NY 11050  
 Phone: 516.767.6786  
 Fax: 516.740.3066  
 www.InfinityDrain.com



**Note:** Installer must verify all rough-in dimensions prior to installation and consult local and national codes. Conformity and compliance to local and national codes are the responsibility of the installer.