

# S-AG 100 Series



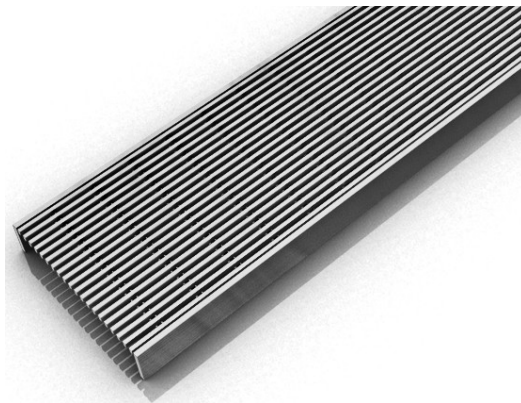
## S-AG 100 | Site Sizeable

- Modify length and locate outlet on-site
- Indoor or outdoor use
- 316 Wedge Wire stainless steel grate
- PVC channel
- Works with 2" clamp down floor drain with 2" throat (strainer size) (not included)
- Uses Hot Mop, Lead Pan, PVC Vinyl Liner, Rubber Liner (Chloraloy™) Copper Pan or Fiberglass waterproofing
- Grate can be removed completely for cleaning
- Flow rate 9 GPM per outlet\*

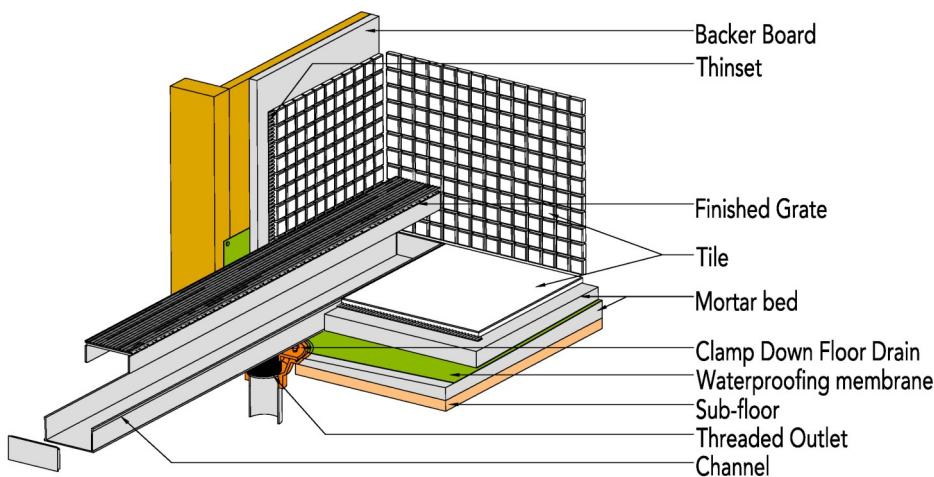
\*Flow rate measured at outlet only. Measurement does not account for water in channel or sheeting on shower floor.

### Finishes:

- \_\_\_ Satin Stainless
- \_\_\_ Polished Stainless



## Installation (S) Site Sizable



### Complete Kits:

- S-AG 10048 48" Complete Kit
- S-AG 10096 96" Complete Kit

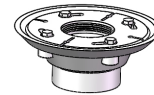
### Longer lengths for indoor or outdoor installations.

### Components:

- A 10048 48" Stainless Steel Grate
- G 10048 48" PVC Channel
- G 10096 96" PVC Channel
- E 100 PVC Stop End
- S 50 PVC Threaded Outlet

### Add Clamp Down Drain:

- CDA 22 Clamp Down Drain ABS
- CDI 22 Clamp Down Drain Cast Iron
- CDP 22 Clamp Down Drain PVC



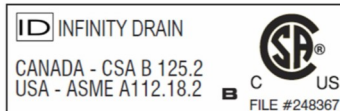
2" clamp down drain not included in kit

### Optional Components:

- F 65 PVC Non-Threaded Outlet
- F 100 PVC 4" Non-Treated Outlet
- GJ 100 PVC Straight Joiner Strip
- GA 100 PVC 90° Angle Joiner
- TNRN-P PVC Threaded Nipple, (extends 2 3/8" to the S 50 PVC Threaded Outlet)
- UCP 2 Universal 2" Clamping Plate
- UCP 4 Universal 4" Clamping Plate
- ERB Eccentric Reducer Bushing 4"x2"

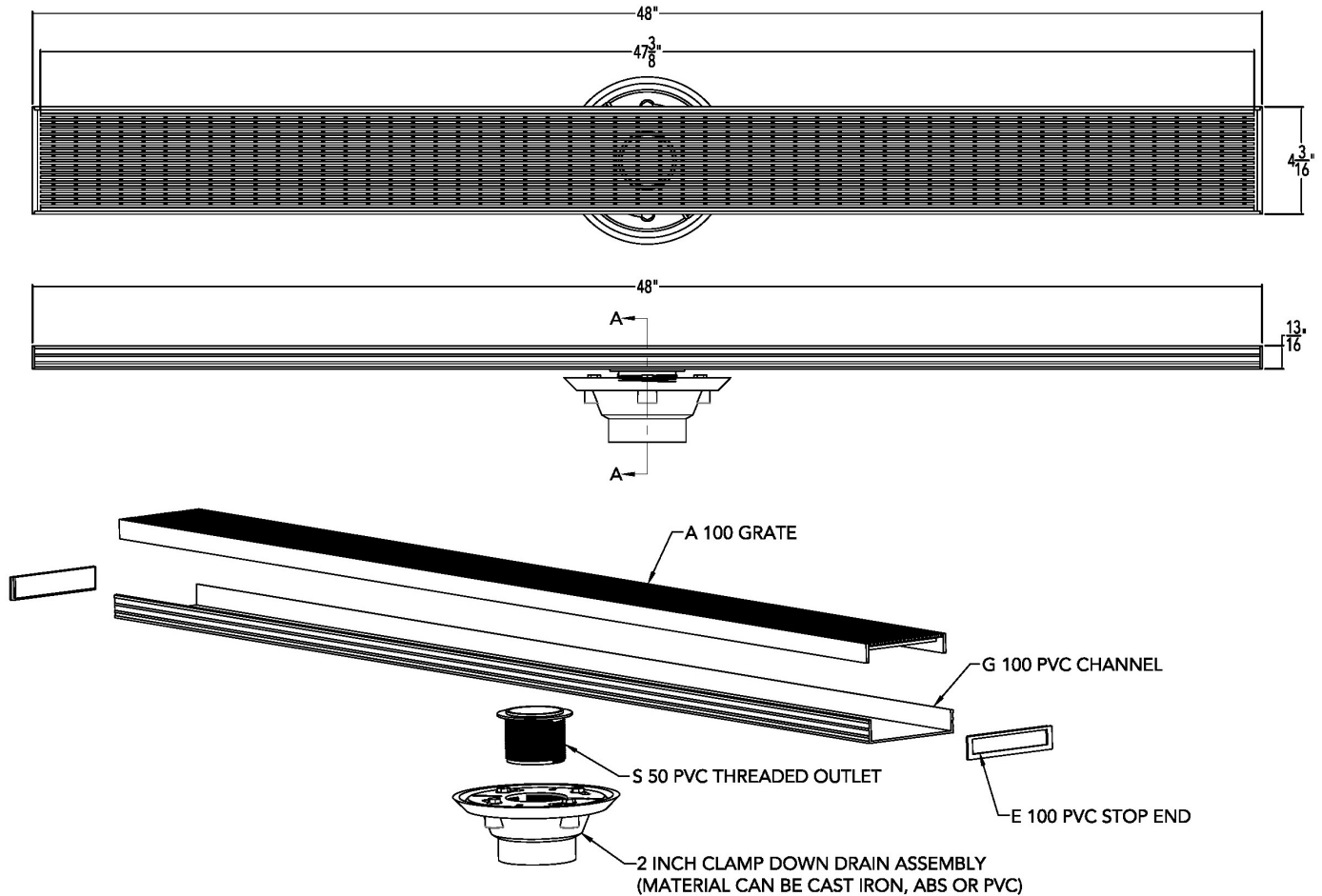
### Infinity Drain

18 Secatoag Avenue  
Port Washington, NY 11050  
Phone: 516.767.6786  
Fax: 516.740.3066  
www.InfinityDrain.com



**Note:** Installer must verify all rough-in dimensions prior to installation and consult local and national codes. Conformity and compliance to local and national codes are the responsibility of the installer.

# S-AG 10048 Specifications



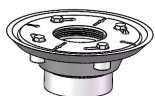
## AG 10048

### 48" Complete Kit Includes:

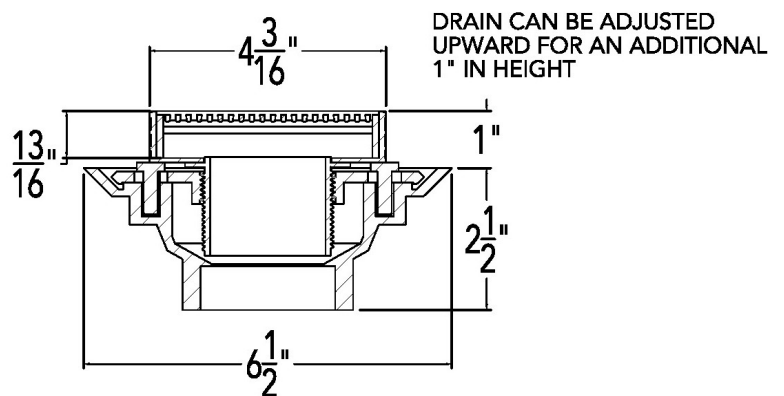
- (47 1/4" l x 4 3/16" w x 13/16" h)
- 1 - A 10048 Stainless Steel Grate
- 1 - G 10048 PVC Channel
- 2 - E 100 End Section
- 1 - S50 Treaded Outlet

### Add Clamp Down Drain:

- CDA 22 Clamp Down Drain ABS
- CDI 22 Clamp Down Drain Cast Iron
- CDP 22 Clamp Down Drain PVC



2" clamp down drain not included in kit

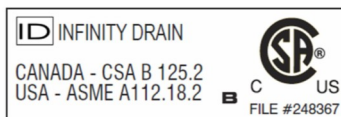


SECTION A-A

**Note:** Installer must verify all rough-in dimensions prior to installation and consult local and national codes. Conformity and compliance to local and national codes are the responsibility of the installer.

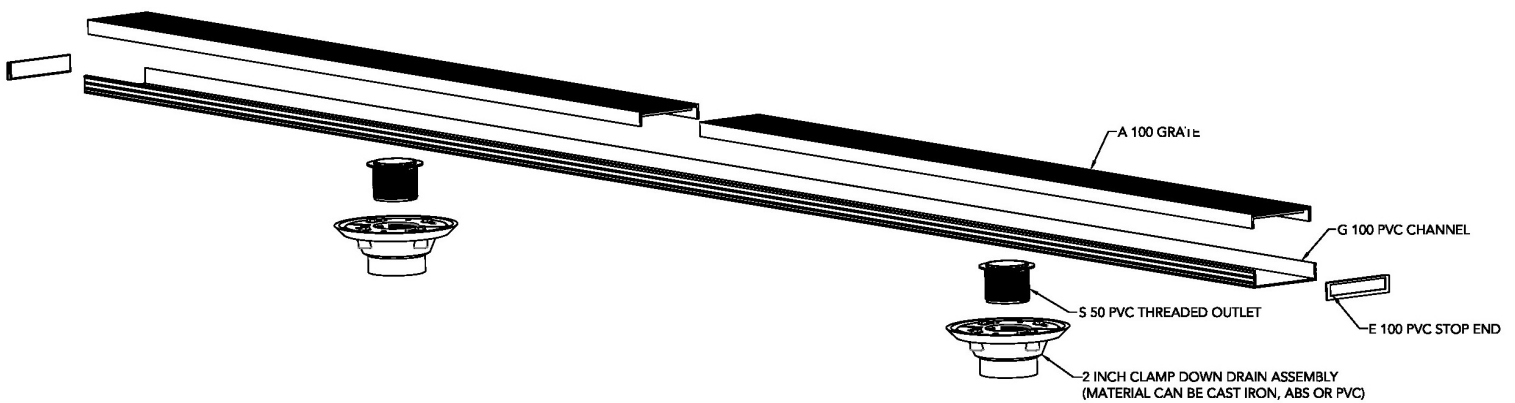
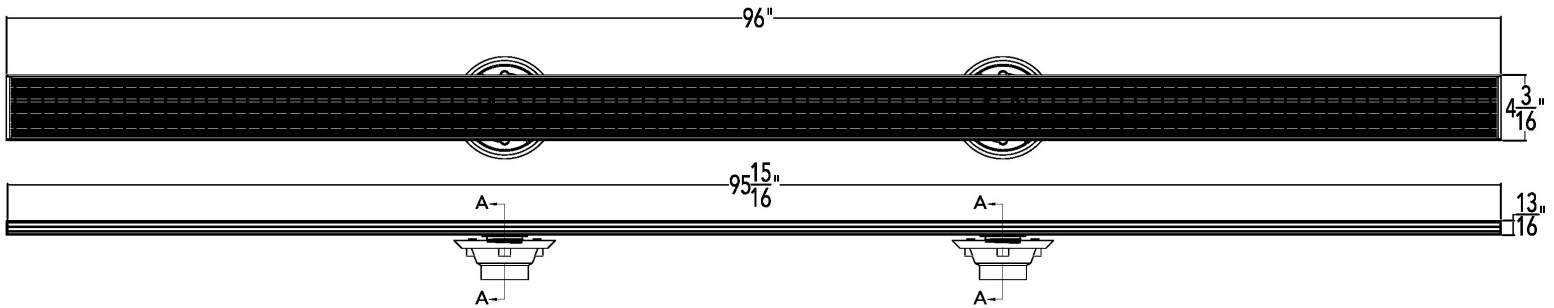
## Infinity Drain

18 Secatoag Avenue  
 Port Washington, NY 11050  
 Phone: 516.767.6786  
 Fax: 516.740.3066  
 www.InfinityDrain.com



# S-AG 10096 Specifications

**ID** Infinity Drain



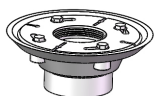
## AG 10096

### 96" Complete Kit Includes:

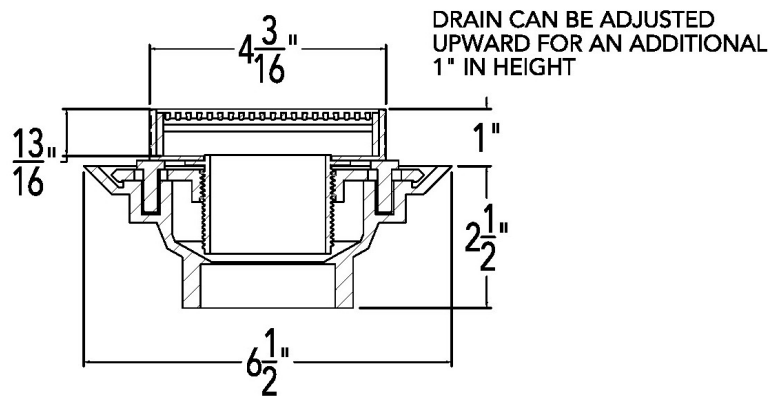
- (95 1/2" l x 4 3/16" w x 13/16" h)
- 2 - A 10048 Stainless Steel Grate
- 1 - G 10096 PVC Channel
- 2 - E 100 End Section
- 2 - S50 Treaded Outlet

### Add Clamp Down Drain:

- CDA 22 Clamp Down Drain ABS
- CDI 22 Clamp Down Drain Cast Iron
- CDP 22 Clamp Down Drain PVC



2" clamp down drain not included in kit



SECTION A-A

**Note:** Installer must verify all rough-in dimensions prior to installation and consult local and national codes. Conformity and compliance to local and national codes are the responsibility of the installer.

## Infinity Drain

18 Secatoag Avenue  
 Port Washington, NY 11050  
 Phone: 516.767.6786  
 Fax: 516.740.3066  
 www.InfinityDrain.com

