

# FXAS 65 Series



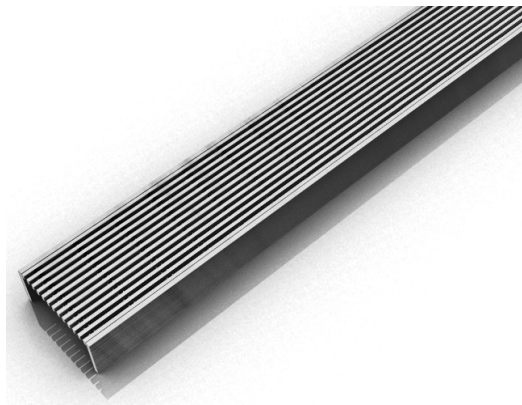
## FXAS 65 | Fixed Length

- 12 gauge 316 Stainless Steel grate and channel
- Pre-pitched channel with "Fixed" lengths and "Fixed" center outlet
- Not site sizeable
- Indoor or outdoor use
- Works with 2" clamp down floor drain with 2" throat (strainer size) (not included)
- Uses Hot Mop, Lead Pan, PVC Vinyl Liner, Rubber Liner (Chloraloy™) Copper Pan or Fiberglass waterproofing
- Grate can be removed completely for cleaning
- Flow rate 9 GPM per outlet\*

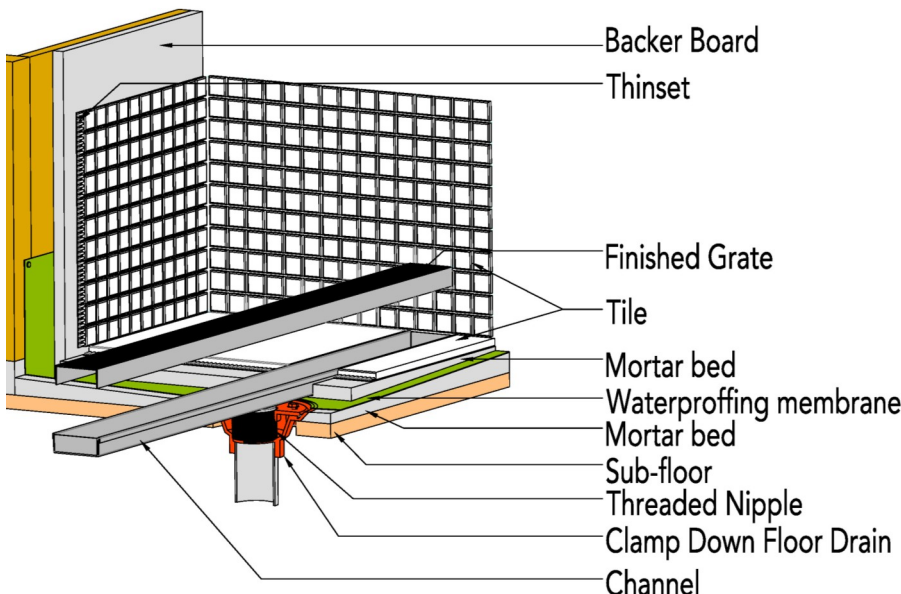
\*Flow rate measured at outlet only. Measurement does not account for water in channel or sheeting on shower floor.

### Finishes:

- \_\_\_ Satin Stainless
- \_\_\_ Polished Stainless
- \_\_\_ Matte White
- \_\_\_ Matte Black



## Installation (FX) Fixed



### Complete Kits:

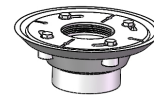
|           |                  |
|-----------|------------------|
| FXAS 6532 | 32" Complete Kit |
| FXAS 6536 | 36" Complete Kit |
| FXAS 6542 | 42" Complete Kit |
| FXAS 6548 | 48" Complete Kit |
| FXAS 6560 | 60" Complete Kit |

### Components:

|         |                                   |
|---------|-----------------------------------|
| SA 6532 | 32" Stainless Steel Grate         |
| SA 6536 | 36" Stainless Steel Grate         |
| SA 6542 | 42" Stainless Steel Grate         |
| SA 6548 | 48" Stainless Steel Grate         |
| SA 6560 | 60" Stainless Steel Grate         |
| XC 6532 | 32" Stainless Steel Fixed Channel |
| XC 6536 | 36" Stainless Steel Fixed Channel |
| XC 6542 | 42" Stainless Steel Fixed Channel |
| XC 6548 | 48" Stainless Steel Fixed Channel |
| XC 6560 | 60" Stainless Steel Fixed Channel |
| TNAS    | Stainless Steel Threaded Nipple   |

### Add Clamp Down Drain:

|        |                            |
|--------|----------------------------|
| CDA 22 | Clamp Down Drain ABS       |
| CDI 22 | Clamp Down Drain Cast Iron |
| CDP 22 | Clamp Down Drain PVC       |



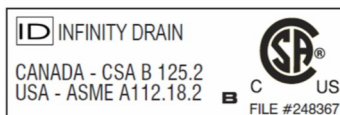
2" clamp down drain not included in kit

### Optional Components:

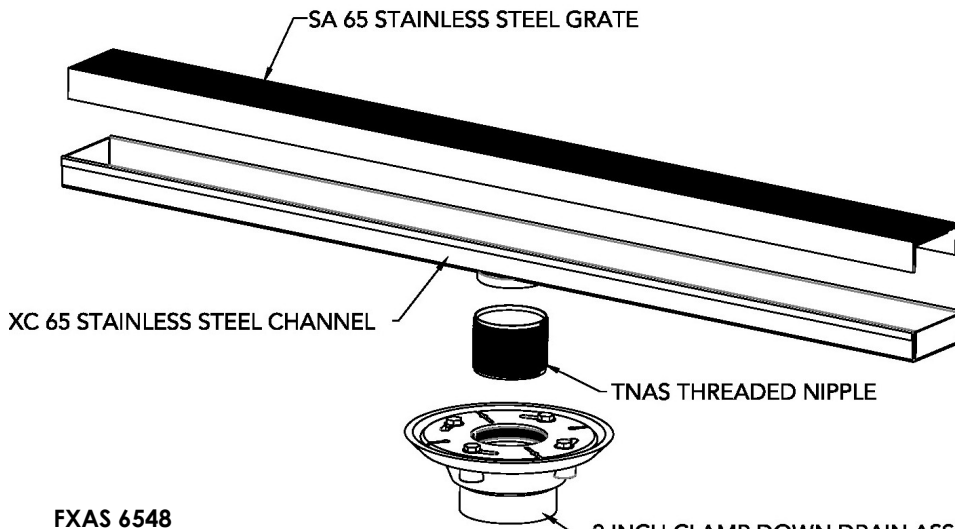
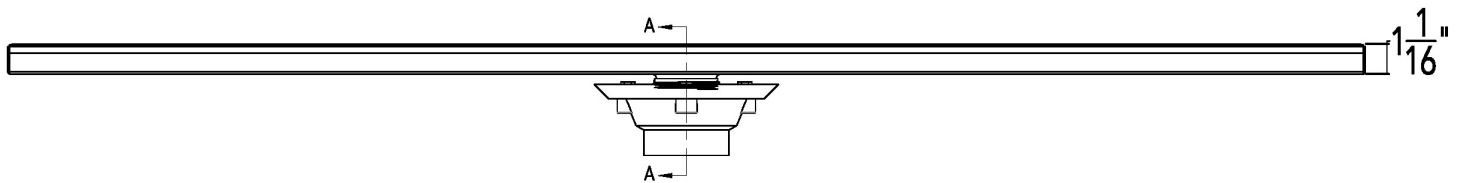
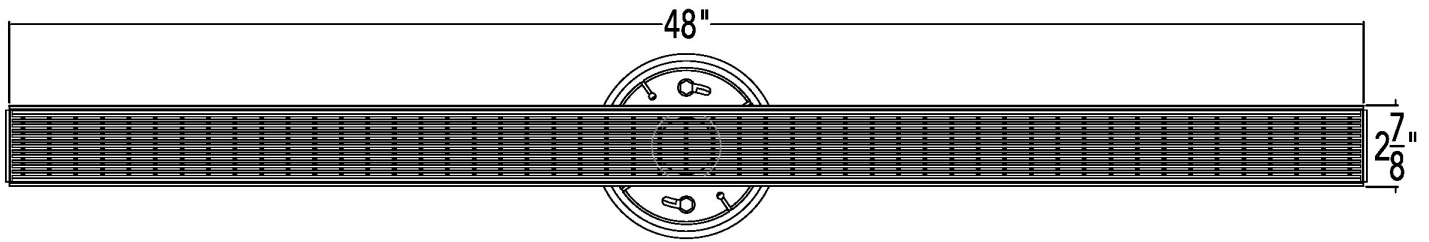
|       |  |
|-------|--|
| TNRN  | Stainless Steel Threaded Nipple (3" extension) |
| UCP 2 | Universal 2" Clamping Plate                    |
| UCP 4 | Universal 4" Clamping Plate                    |
| ERB   | Eccentric Reducer Bushing 4"x2"                |

**Note:** Installer must verify all rough-in dimensions prior to installation and consult local and national codes. Conformity and compliance to local and national codes are the responsibility of the installer.

**Infinity Drain**  
 18 Secatoag Avenue  
 Port Washington, NY 11050  
 Phone: 516.767.6786  
 Fax: 516.740.3066  
 www.InfinityDrain.com



# FXAS 6548 Specifications

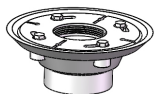


**FXAS 6548**  
**48" Complete Kit Includes:**  
 (48 1/8" l x 2 7/8" w x 1" h)

- 1 - SA 6548 Stainless Steel Grate
- 1 - XC 6548 Fixed Channel
- 1 - TNAS Threaded Nipple

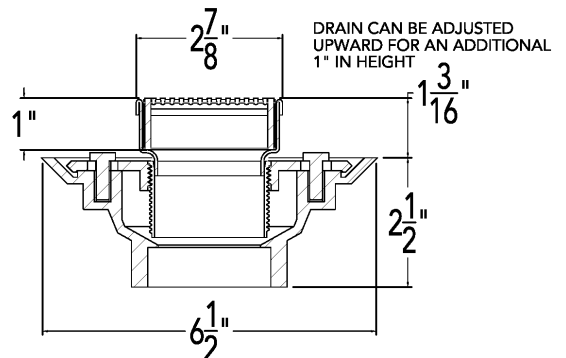
**Add Clamp Down Drain:**

- CDA 22 Clamp Down Drain ABS
- CDI 22 Clamp Down Drain Cast Iron
- CDP 22 Clamp Down Drain PVC



2" clamp down drain not included in kit

**2 INCH CLAMP DOWN DRAIN ASSEMBLY**  
 NOT INCLUDED IN KIT SKU  
 (MATERIAL CAN BE CAST IRON, ABS OR PVC)



SECTION A-A

**Note:** Installer must verify all rough-in dimensions prior to installation and consult local and national codes. Conformity and compliance to local and national codes are the responsibility of the installer.

**Infinity Drain**  
 18 Secatoag Avenue  
 Port Washington, NY 11050  
 Phone: 516.767.6786  
 Fax: 516.740.3066  
 www.InfinityDrain.com

