

FXAS 125 Series



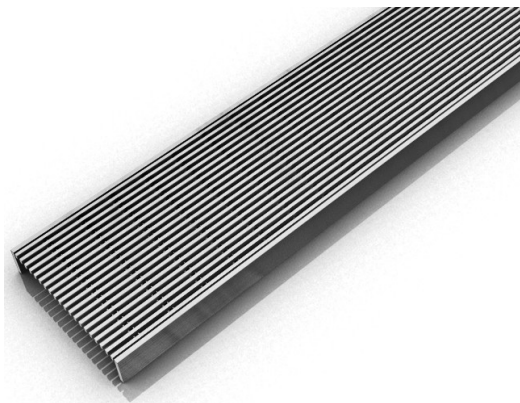
FXAS 125 | Fixed Length

- 12 gauge 316 Stainless Steel grate and channel
- Pre-pitched channel with "Fixed" lengths and "Fixed" center outlet
- Not site sizeable
- Indoor or outdoor use
- 4" clamp down floor drain with 3" throat (strainer size)
- Uses Hot Mop, Lead Pan, PVC Vinyl Liner, Rubber Liner (Chloraloy™) Copper Pan or Fiberglass waterproofing
- Grate can be removed completely for cleaning
- Flow rate 21 GPM per outlet*

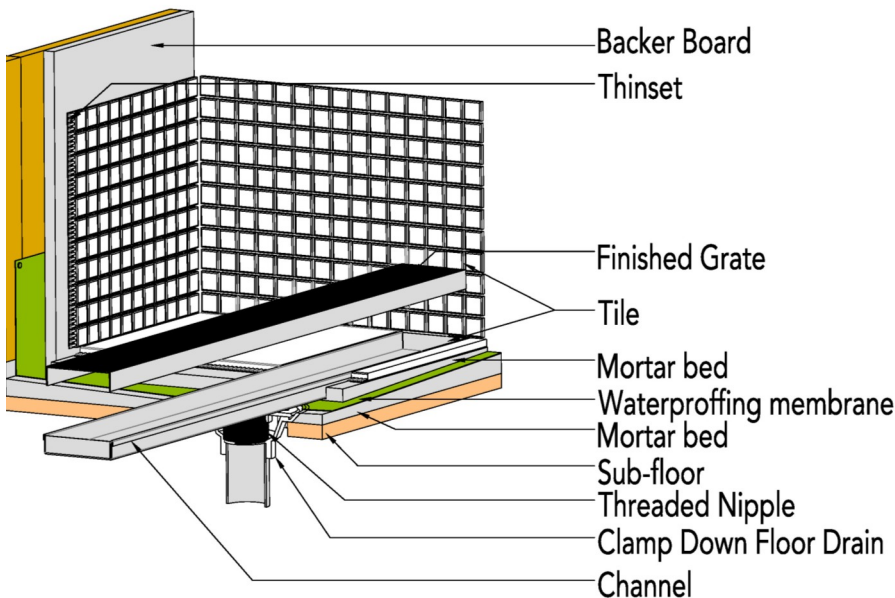
*Flow rate measured at outlet only. Measurement does not account for water in channel or sheeting on shower floor.

Finishes:

- Satin Stainless
- Polished Stainless



Installation (FX) Fixed



Complete Kits:

- FXAS 12532 32" Complete Kit
- FXAS 12536 36" Complete Kit
- FXAS 12542 42" Complete Kit
- FXAS 12548 48" Complete Kit
- FXAS 12560 60" Complete Kit

Components:

- SA 12532 32" Stainless Steel Grate
- SA 12536 36" Stainless Steel Grate
- SA 12542 42" Stainless Steel Grate
- SA 12548 48" Stainless Steel Grate
- SA 12560 60" Stainless Steel Grate
- XC 12532 32" Stainless Steel Fixed Channel
- XC 12536 36" Stainless Steel Fixed Channel
- XC 12542 42" Stainless Steel Fixed Channel
- XC 12548 48" Stainless Steel Fixed Channel
- XC 12560 60" Stainless Steel Fixed Channel
- TN4A Stainless Steel Threaded Nipple
- CDI 43 Cast Iron Drain Body

Additional Clamp Down Drains:

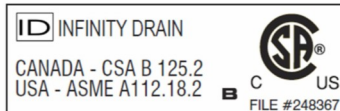
- CDA 43 Clamp Down Drain ABS
- CDP 43 Clamp Down Drain PVC
- CDIT 43 Clamp Down Drain Cast Iron (Threaded Outlet)
- CDIC 43 Clamp Down Drain Cast Iron (Inside Caulk Outlet)

Optional Components:

- UCP 4 Universal 4" Clamping Plate

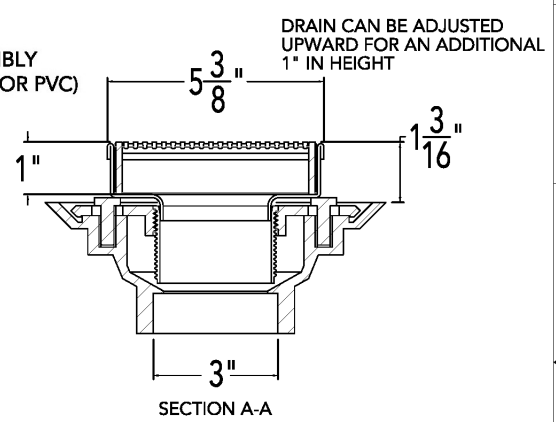
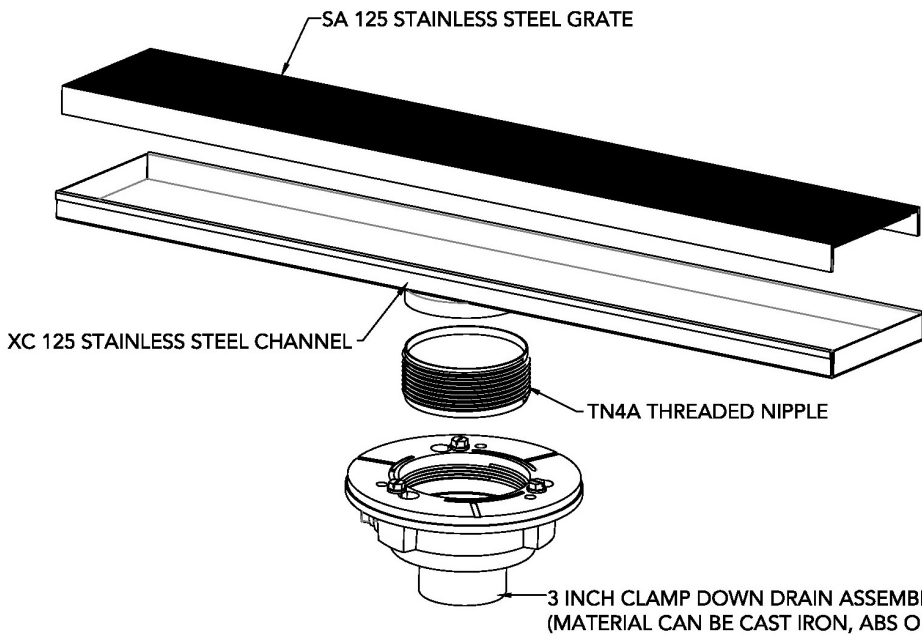
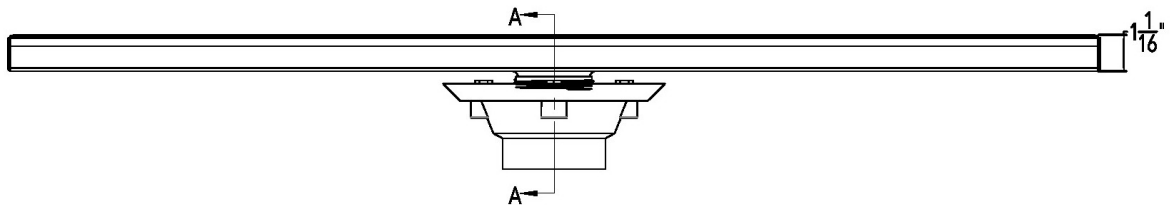
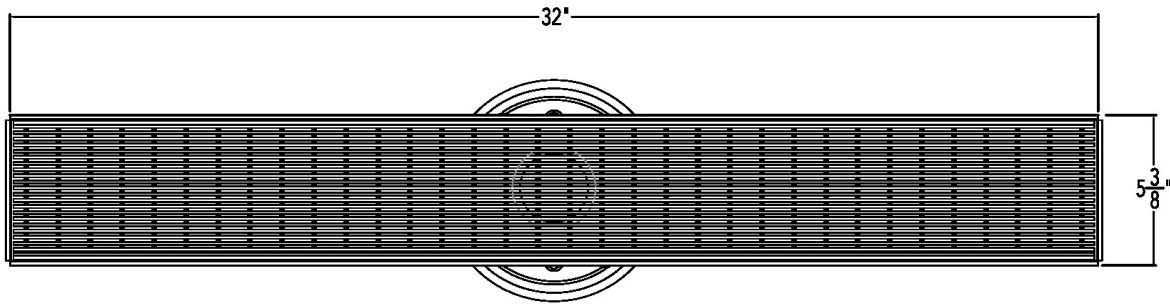
Infinity Drain

18 Secatoag Avenue
Port Washington, NY 11050
Phone: 516.767.6786
Fax: 516.740.3066
www.InfinityDrain.com



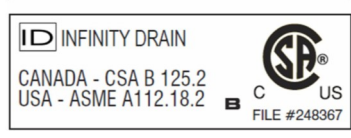
Note: Installer must verify all rough-in dimensions prior to installation and consult local and national codes. Conformity and compliance to local and national codes are the responsibility of the installer.

FXAS 12532 Specifications



- FXAS 12532**
32" Complete Kit Includes:
 (32 1/8" l x 5 3/8" w x 1" h)
 1 - SA 12532 Stainless Steel Grate
 1 - XC 12532 Fixed Channel
 1 - TN4A Threaded Nipple
 1 - CDI 43 Cast Iron Drain Body

Infinity Drain
 18 Secatoag Avenue
 Port Washington, NY 11050
 Phone: 516.767.6786
 Fax: 516.740.3066
 www.InfinityDrain.com



Note: Installer must verify all rough-in dimensions prior to installation and consult local and national codes. Conformity and compliance to local and national codes are the responsibility of the installer.