

# FFTIF 65 Series

## FFTIF 65 | Fixed Length

- 16 gauge 304 Stainless Steel grate and channel
- Pre-pitched channel with "Fixed" lengths and "Fixed" center vertical (down) outlet location
- Not site sizeable
- Indoor or outdoor use
- Bonded "Flange" installation for flush against the wall.
- Lowest height for curbless installations
- Uses Liquid and Fabric Sheet Membrane waterproofing
- Grate can be removed completely for cleaning
- Flow rate 9 GPM per outlet\*

\*Flow rate measured at outlet only. Measurement does not account for water in channel or sheeting on shower floor.

### Finishes:

- Satin Stainless
- Polished Stainless



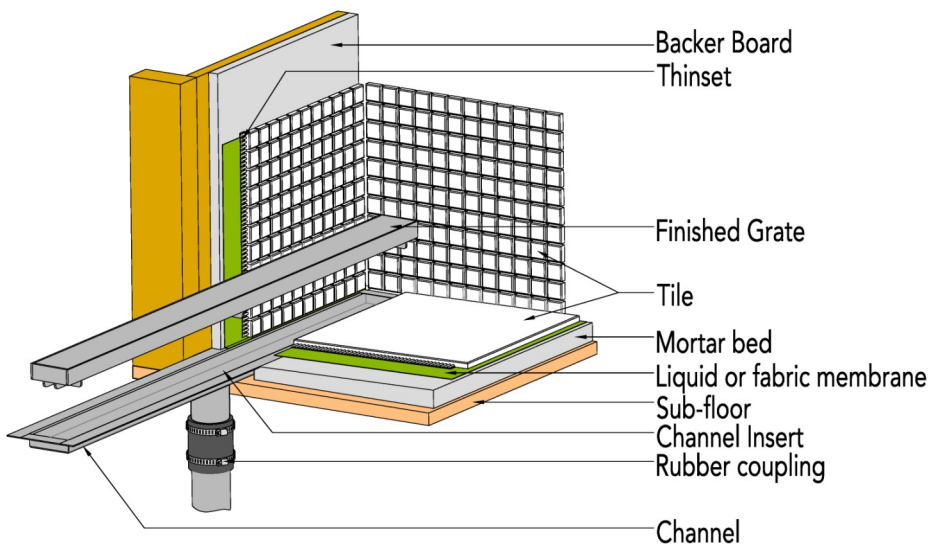
### Complete Kits:

|            |                  |
|------------|------------------|
| FFTIF 6524 | 24" Complete Kit |
| FFTIF 6532 | 32" Complete Kit |
| FFTIF 6536 | 36" Complete Kit |
| FFTIF 6542 | 42" Complete Kit |
| FFTIF 6548 | 48" Complete Kit |
| FFTIF 6560 | 60" Complete Kit |

### Components:

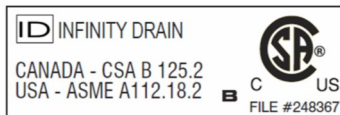
|         |                                   |
|---------|-----------------------------------|
| LA 6524 | 24" Stainless Steel Grate         |
| LA 6532 | 32" Stainless Steel Grate         |
| LA 6536 | 36" Stainless Steel Grate         |
| LA 6542 | 42" Stainless Steel Grate         |
| LA 6548 | 48" Stainless Steel Grate         |
| LA 6560 | 60" Stainless Steel Grate         |
| FC 6524 | 24" Stainless Steel Fixed Channel |
| FC 6532 | 32" Stainless Steel Fixed Channel |
| FC 6536 | 36" Stainless Steel Fixed Channel |
| FC 6542 | 42" Stainless Steel Fixed Channel |
| FC 6548 | 48" Stainless Steel Fixed Channel |
| FC 6560 | 60" Stainless Steel Fixed Channel |

## Installation (FF) Fixed Flange



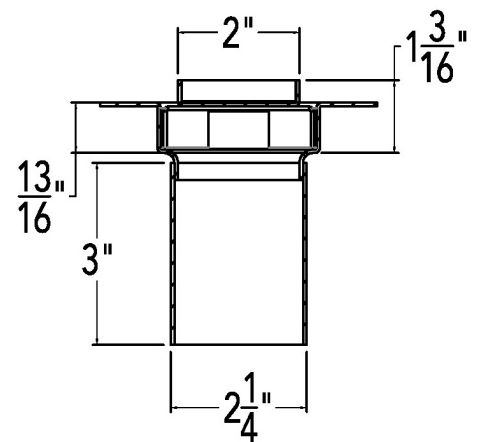
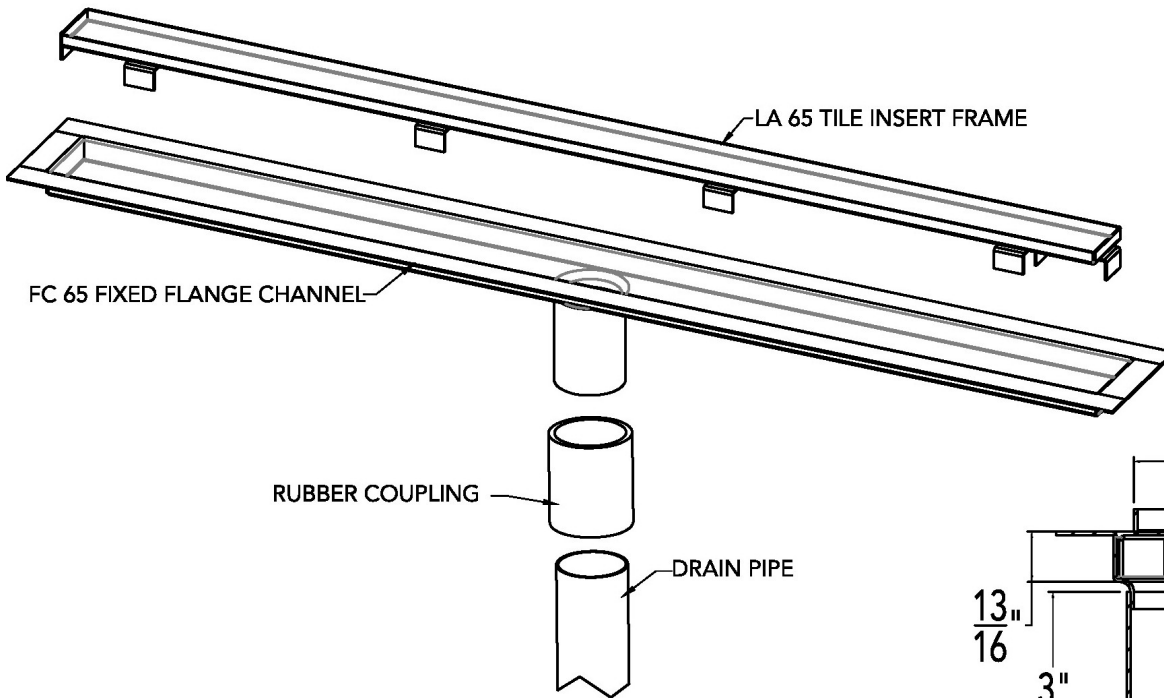
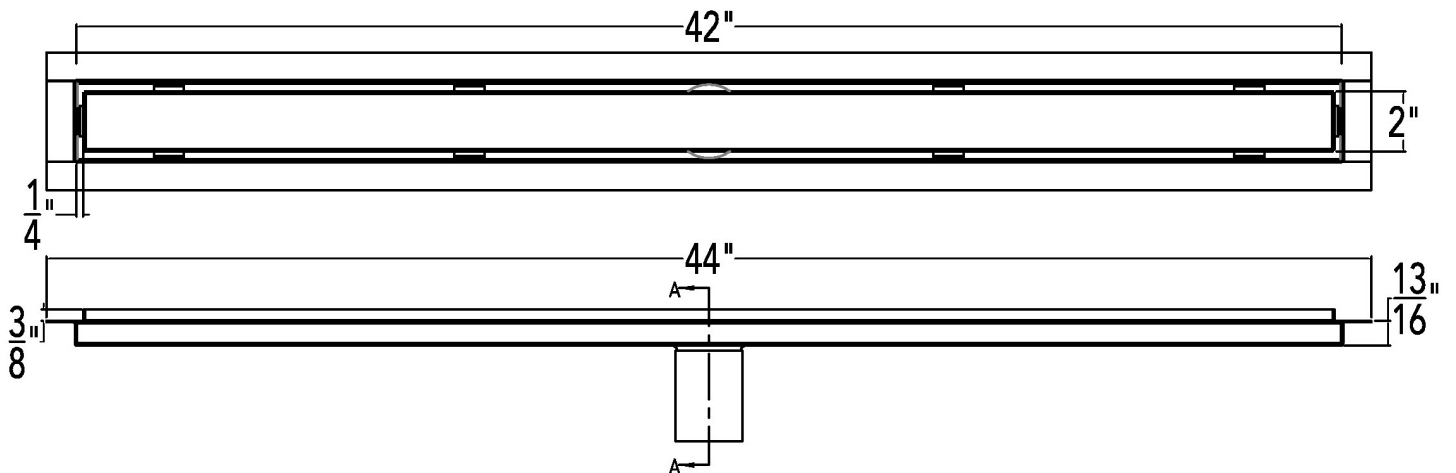
### Infinity Drain

18 Secatoag Avenue  
 Port Washington, NY 11050  
 Phone: 516.767.6786  
 Fax: 516.740.3066  
 www.InfinityDrain.com



**Note:** Installer must verify all rough-in dimensions prior to installation and consult local and national codes. Conformity and compliance to local and national codes are the responsibility of the installer.

# FFTIF 6542 Specifications



## FFTIF 6542

### 42" Complete Kit Includes:

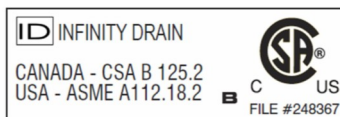
(44 1/8" l x 4 1/2" w x 4 13/16" h)

1 - LA 6542 Stainless Steel Grate

1 - FC 6542 Fixed Flange Channel

## Infinity Drain

18 Secatoag Avenue  
 Port Washington, NY 11050  
 Phone: 516.767.6786  
 Fax: 516.740.3066  
 www.InfinityDrain.com



**Note:** Installer must verify all rough-in dimensions prior to installation and consult local and national codes. Conformity and compliance to local and national codes are the responsibility of the installer.