



Getting Started

Before installation, check the product for any shipping damage. If you find any damage, do not install and contact your dealer or ICO.

Electrical Connections

All wiring should be done by a qualified licensed electrician

- ⚠ **Caution** Read and follow all instructions before continuing with installation.
- ⚡ **Danger** Shut off power before wiring the towel warmer.
- ⚠ **Warning** Requires 120VAC 15-amp GFI protected circuit.

Ensure all wiring is in accordance with local guidelines.

IMPORTANT SAFETY INSTRUCTIONS

⚠ **Warning** To reduce the risk of burns, fire, electric shock or injury to persons. Use this furnishing only for its intended use as described in these instructions. Do not use attachments not recommended by the manufacturer. Never drop or insert any object into any opening. Do not use outdoors.

GROUNDING INSTRUCTIONS

⚡ **Danger** Risk of electric shock. Connect this furnishing to a properly grounded circuit only.

Your towel warmer is 20-42W (120V) and conforms to CSA standard C22.2#46 and UL standard 499. Please ensure the certification label is visible

This product must be connected to a grounded metal, permanent wiring system, or an equipment-grounding conductor must be run with the circuit conductors and connected to the equipment-grounding terminal or lead on the product.

The towel warmer must be wired to a 15-amp GFI (Ground Fault Interrupter) protected circuit when used in bathrooms and all other locations as per your respective local Electrical Code.

REQUIRED TOOLS & MATERIALS



Electric Drill



Level



Tape Measure



Phillips Screwdriver



1/8" Drill Bit



Pencil

PARTS FOR INSTALLATION

Check that all items have been received. You should have received the following parts inside the box:



single bar towel warmer (A)

wall mounting brackets (set)



top bracket (C)



bottom bracket (D)

Note: The top bracket has 2 holes (for the screws). While the bottom bracket has 3 holes - 2 for the screws and 1 for the electrical cord.

screw and wall anchor x4 (B)



allen key



set screw x2 (E)



programmable controller
(wall cover plate not included)



wall plate (F) & 2 screws (G)

Note: The wall plate comes with 2 screws to attach the bottom mounting bracket (D) to the wall plate.

ROUGH-IN REQUIREMENTS

Towel Warmer Location

- When determining the location of the towel warmer, consider:
 - Electric hardwire location**
The incoming power feed goes to a single gang electrical box (for the Smart Switch). This switch can be located anywhere in the room, although we recommend it be alongside your light switches.

A power feed then goes from the switch electrical box to a single gang electrical box (for the towel warmer). The location of this electrical box determines the location of your towel warmer (see page 4 for measurements).

- Height of towel warmer from the floor**

There is no right or wrong height to mount the towel warmer but here is our recommendation:

Towel warmer height	Distance from floor to top of towel warmer
36"	54" - 66"
48"	60" - 72"

Warning

If installing near the shower area, please refer to your local electrical code for the required distance to mount the towel warmer from the shower.

- Measure and determine overall towel warmer dimensions as well as A, B & C (see Figure 1) before installation.

Model #	A	B	C	Product Dimension
W0013	2 5/16" (58mm)	2 5/16" (58mm)	13/16" (20mm)	1 1/5" x 35 7/16" x 3 7/8" (38mm x 900mm x 98mm)
W0014	2 5/16" (58mm)	2 5/16" (58mm)	13/16" (20mm)	1 1/5" x 47 1/4" x 3 7/8" (38mm x 1200mm x 98mm)

*See page 4 or download the specific model's tech spec sheet on our website for other measurements

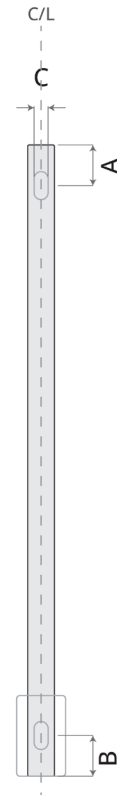
Caution:

- Towel warmer must be securely mounted to the wall before operation. *Wall studs or plywood backing is required at ALL bracket locations (top & bottom) due to the weight of Tuzio towel warmers.* (See next page for bracket locations for your specific size).

Always use your actual measurements for accuracy.

All dimensions and specifications are approximate and may vary without prior notice.

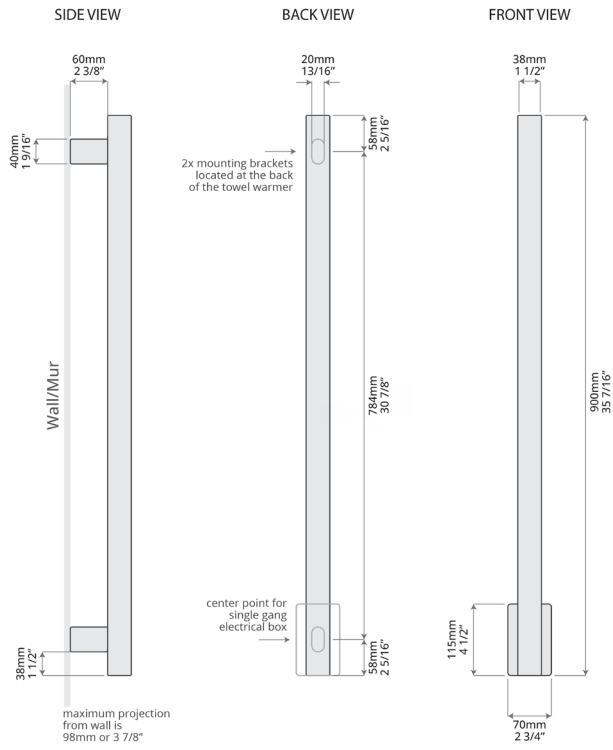
Figure 1



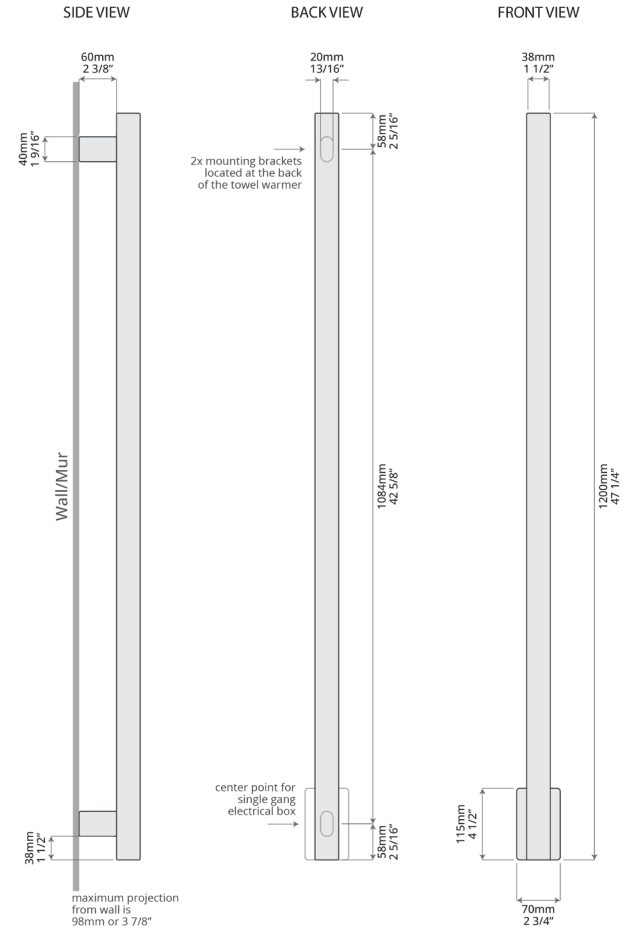
- A - vertical distance from the top of the towel warmer to the center point of top mounting bracket
- B - vertical distance from the bottom of the towel warmer to the center point of bottom mounting bracket
- C - horizontal distance between center point of the left and right mounting brackets

PRODUCT DIMENSIONS

W0013



W0014



NOTE:

It is possible to install two or more single bar towel warmers side by side.

There is no restrictions on the minimum (or maximum) distance between them except the placement of your electrical boxes. So if installing more than one, take note of the location of your electrical box and/or the dimensions of the wall plate for the single gang electrical box (see above).

INSTALLATION INSTRUCTIONS

Mounting the Towel Warmer

Figure 2: Top mount

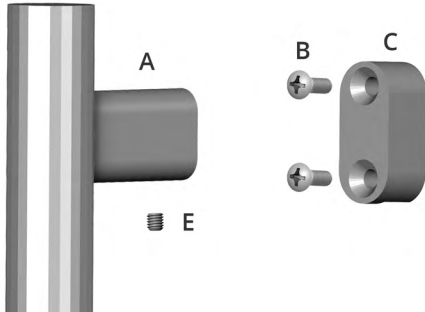
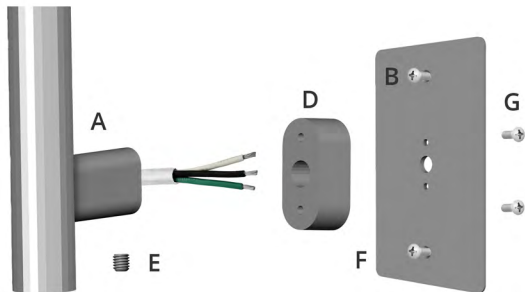
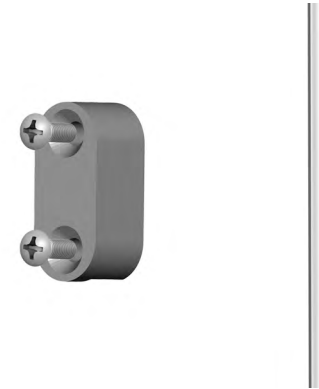


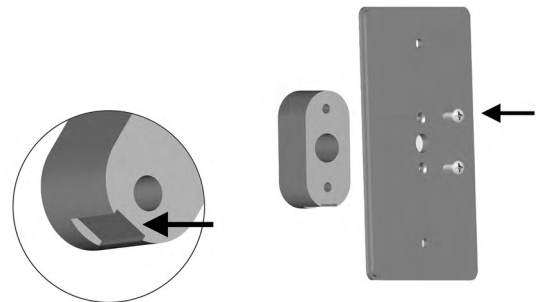
Figure 3: Bottom mount



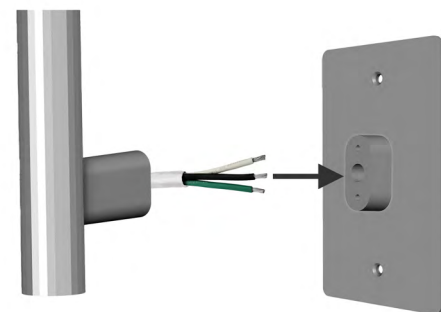
3 Install the upper wall bracket (C) using the screws (B) provided. Ensure there is suitable wood back in the wall. See Figure 2.



4 Attach the lower wall bracket (D) to the wall plate (F) with the provided screws (G). See Figure 3. Make sure the groove on the bracket faces the plate.



5 Feed the electrical cord located in the bottom leg of the towel warmer through the bottom bracket and wall plate.



1 Unpack your single bar towel warmer and set it on the floor – ensure you lay out floor protection – cardboard, towel etc.

2 Using the dimensions on *page 4*, mark out the location of the upper wall bracket in relation to the electrical box location.



INSTALLATION INSTRUCTIONS

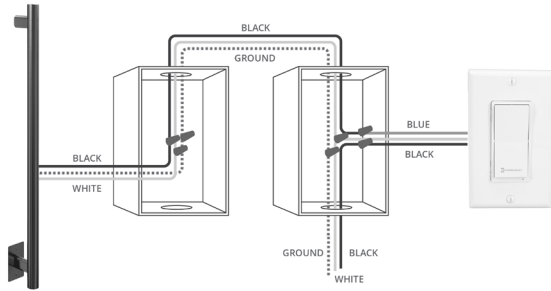
Electric Hardwired Connection

! Danger:

Do not connect the towel warmer to the power supply until all instructions have been read and installation is complete.

Your towel warmer conforms to CSA standards (File ref:). Please ensure the CSA label is visible to "Your towel warmer conforms to CSA standard C22.2#46 and UL standard 499. Please ensure the certification label is visible

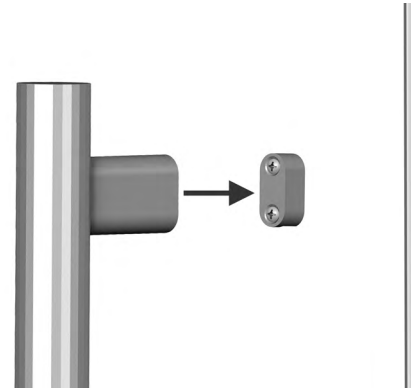
6 Complete the electrical connections as shown below.



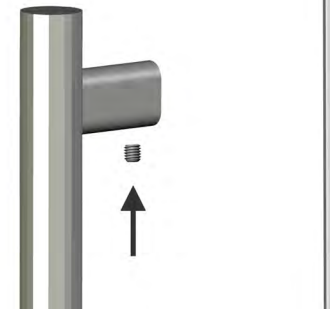
7 Mount the wall plate and bracket to the wall electrical box using the supplied screws



8 Hang the single bar towel warmer on the brackets.



9 Use the set screws to tighten the unit to the brackets. Ensure the towel warmer is firmly and safely fixed to the wall.



! Warning:

In case of damage or failure of the towel warmer, the unit should be returned to the manufacturer or their distributor.

The warranty is NOT VALID in case of improper use or installation.

Product is designed for use within Canada and the United States only.

OPERATION & MAINTENANCE INSTRUCTIONS

Operating Your Towel Warmer

Install the Programmable Wi-Fi Smart Switch (included) & download the phone app.

Go to <https://icobath.com/product/programmable-wi-fi-smart-switch/> for complete features and PDF links for installation instructions, phone app setup guide etc.

NOTE:

Each single bar comes with a Smart Switch. If installing more than 1 (side by side), both/all of them can be connected to ONLY 1 switch OR to separate switches depending on your usage plan.

The Programmable Wi-Fi Smart Switch (included) allows you to program on and off times for your towel warmer directly on the Ascend app on your mobile device.

Other features include:

- Remote Mobile Access
- Smart home system compatible
- Can also be used as a manual on/off switch

IMPORTANT:

All Tuzio towel warmers have an internal thermostat which regulates the towel warmer temperature at a consistent level. Your towel warmer will not overheat even if it operates 24/7.

The surface temperatures of our single bar towel warmers are regulated between 45°-48°C (113°-118°F), depending on the finish, size, and model. The temperature is set and can't be manually adjusted or customized.

Congratulations! Your towel warmer is now ready for use.

Towel Warmer Use

1. Our towel warmers are designed for both damp and wet towels. Clothing including robes and swim suits, both damp and wet, are also safe.
2. Our single bar towel warmers are designed for small spaces and are ideal for compact bathrooms and tight spaces. Hang one towel/robes/clothing per bar for optimum drying/warming up time.

Maintenance

Care & Maintenance:

A periodic wash using warm water and a soft cloth will retain the high quality finish of your towel warmer for many years to come. ON NO ACCOUNT should any household bleaches, detergents, abrasive polishes, steel wool or other cleaning agents be used on this item.

Warranty:

Lifetime warranty on towel warmer and timer to the original homeowner/purchaser of the product.

All commercial installations have a 2-year warranty.

Refer to <https://icobath.com/resources/warranties/> for full warranty coverage details. During the warranty period, ICO covers all parts and labour. All warranty-related work (excluding installation) is completed in-house. ICO does not cover field labour. Proof of purchase is required to claim warranty.