






Getting Started

Before installation, check the product for any shipping damages. If you find damages, do not install and contact your dealer or ICO.


Electrical Connections

All wiring should be done by a qualified licensed electrician


-  **Caution** Read and follow all instructions before installing this LED mirror.
-  **Danger** Shut off power before wiring the mirror.
-  **Warning** Requires 120VAC 20 Amp GFI protected circuit.

IMPORTANT SAFETY INSTRUCTIONS

 **Caution** Installation requires two people.

 **Warning** To reduce the risk of burns, fire, electric shock or injury to persons. Use this furnishing only for its intended use as described in these instructions. Do not use attachments not recommended by the manufacturer. Never drop or insert any object into any opening. Do not use outdoors.

GROUNDING INSTRUCTIONS

 **Danger** Risk of electric shock. Connect this furnishing to a properly grounded circuit only.

This product must be connected to a grounded metal, permanent wiring system, or an equipment-grounding conductor must be run with the circuit conductors and connected to the equipment-grounding terminal or lead on the product.

For an electrical hardwire option, the LED mirror must be wired to a 20 Amp GFI (Ground Fault Interrupter) protected circuit when used in bathrooms and all other locations as per your respective local Electrical Code.

Required Tools and Materials



Electric Drill



Level



Tape Measure



Phillips Screwdriver



1/8" Drill Bit



Pencil

Parts Included



Screw (x6)



Wall anchor (x6)



Bottom mounting bracket (x1)



Top mounting bracket (x2)



Shelf support bracket (x12)



Rubber stopper (x8)



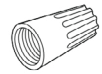
Glass shelf (x3)



Glass side panel screw (x4)



Glass side panel (x2)

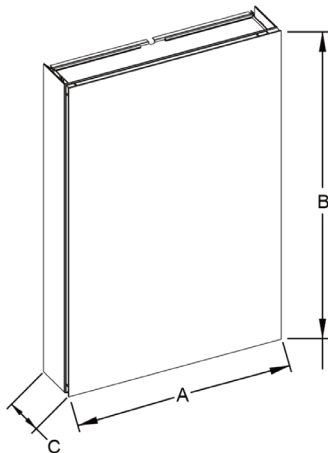


Wire connector (x3)

Accessories and parts may vary from the picture above. Depends on the product model and size.

Dimensions

Make sure to measure and determine overall mirror dimensions before installation.



A- Cabinet Width
B- Cabinet Height
C- Cabinet Depth

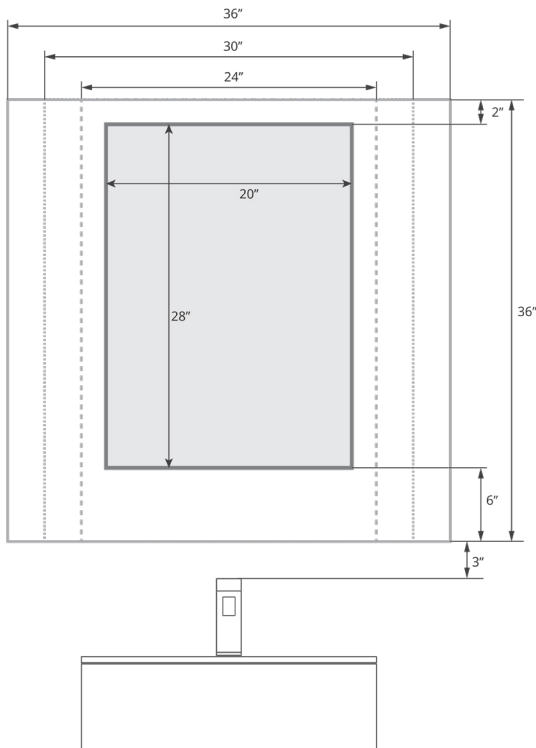
Model #	A (width)	B (height)	C (depth)	Rough-in Size
IJ1124	24"	36"	4-5/8"	23-1/4" x 35-1/4" x 3-3/4"
IJ1130	30"	36"	4-5/8"	29-1/4" x 35-1/4" x 3-3/4"
IJ1136	36"	36"	4-5/8"	35-1/4" x 35-1/4" x 3-3/4"

All rough-in dimensions are for reference only!

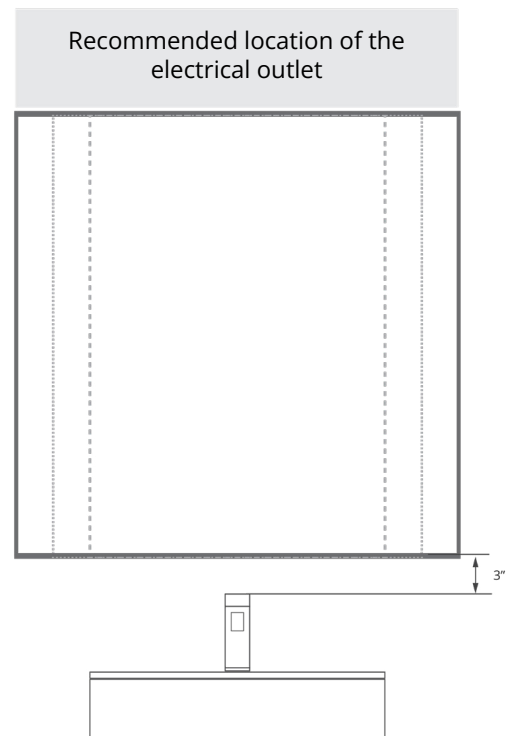
NOTE: Please use rough in size for recess mounting installation (wall cut-out). All dimensions and specifications are approximate and may vary. Measure and use actual product measurement for accuracy.


JUNCTION BOX PLACEMENT

for Recessed Mount
(electrical wiring or plugin behind the cabinet)



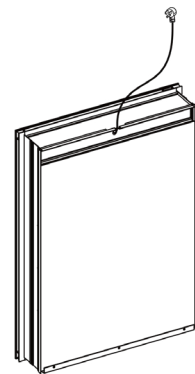
for Surface Mount
(plugin location at the top of the cabinet)



 Recommended location of the electrical outlet or junction box - 28" height x 20" width

When determining the desired location for the medicine cabinet, ensure that the location of the electrical outlet or a junction box is within reach of the 35" power cord.

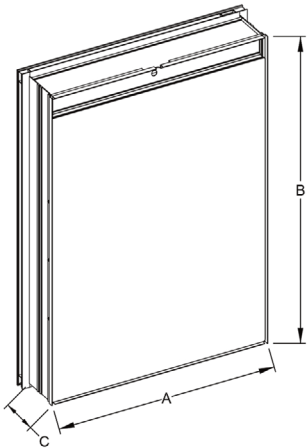
Take note also that the power cord of the medicine cabinet is coming from the top (middle).



* Suggested placement is for all sizes because of the length of the cord.

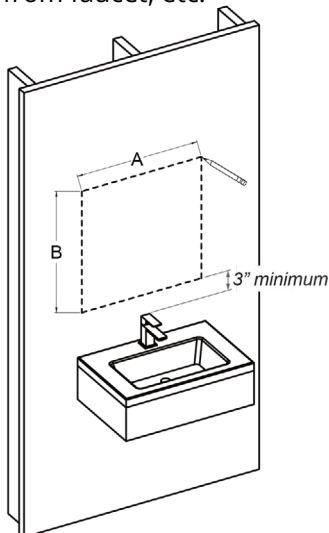
RECESSED INSTALLATION

- 1 Refer to dimensions on page 2 to measure rough-in size.

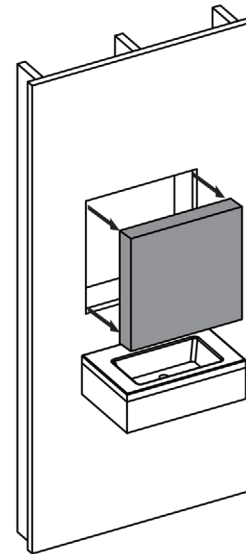


NOTE: For a recessed mount, the wall cavity must be framed and the cabinet must be secured to framing studs. Reroute electrical or water supply lines from the cavity. Consult a professional if drain or vent piping is encountered, or if the wall is load-bearing.

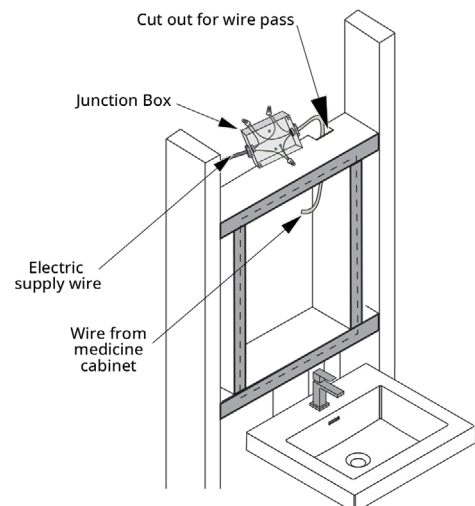
- 2 Draw the outline of the cabinet on the wall based on the rough in size. Take note of the location of electrical and the clearance from faucet, etc.



- 3 Cut out the hole as per marked dimensions.

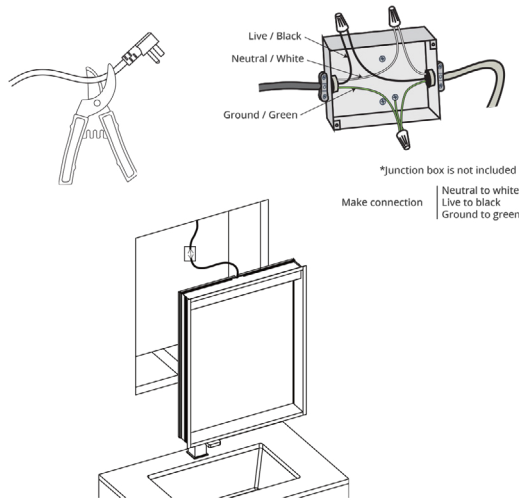


- 4 Frame the opening for the cabinet based on the measurements. Prepare the electrical (hardwire or plugin).

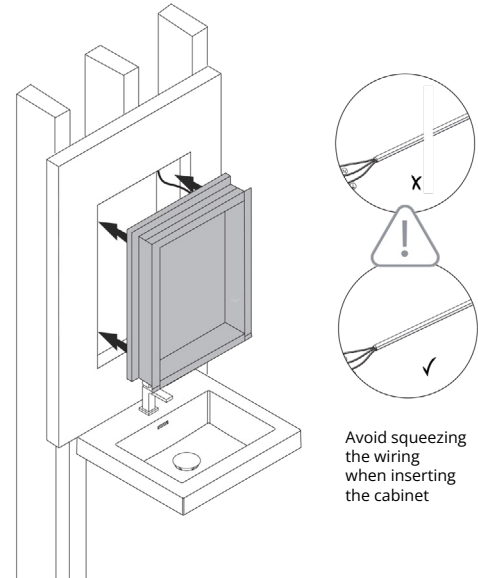


RECESSED INSTALLATION

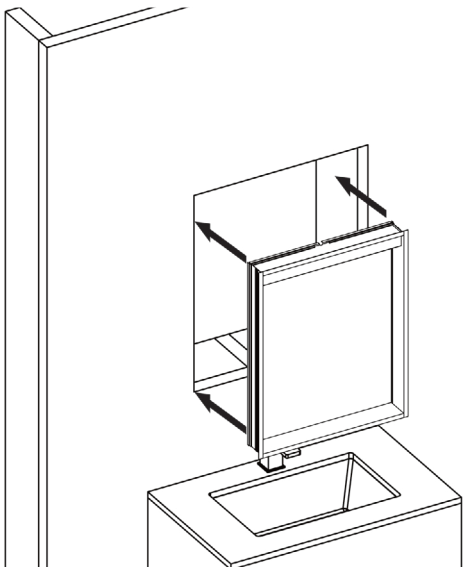
- 5** For hardwire: first cut off the power plug, then use the WIRE CONNECTOR to connect to external power supply.



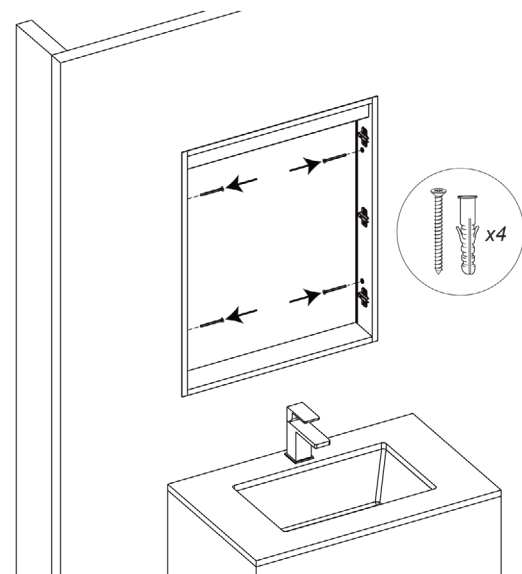
- 7** For hardwire: connect electrical wires and then place the cabinet between the wall studs. For plugin: plug into the electrical outlet.



- 6** Position cabinet in cut out opening.

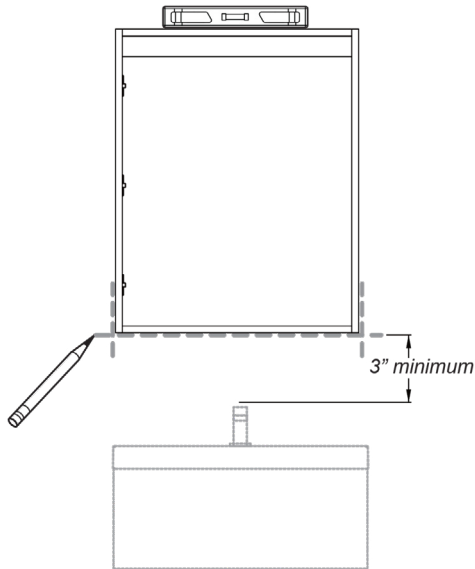


- 8** Affix using hardware screws into the studs.
- NOTE: For wood stud wall, you need to use screw to fix the cabinet. For brick/concrete/stone/tile wall, you need to use wall anchors and screw together to attach the cabinet.

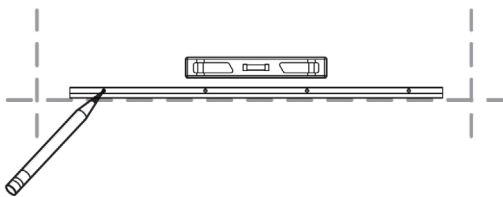


SURFACE-MOUNTED INSTALLATION

- 1 Measure mirror dimensions and mark the cabinet's location on the wall.

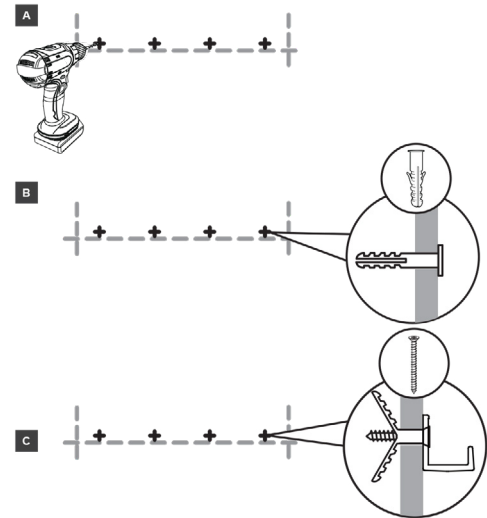


- 2 Mark the position of the bottom mounting bracket. Ensure that the bracket is leveled.



Bottom mounting brackets must be attached to furring strip/channel or wall studs

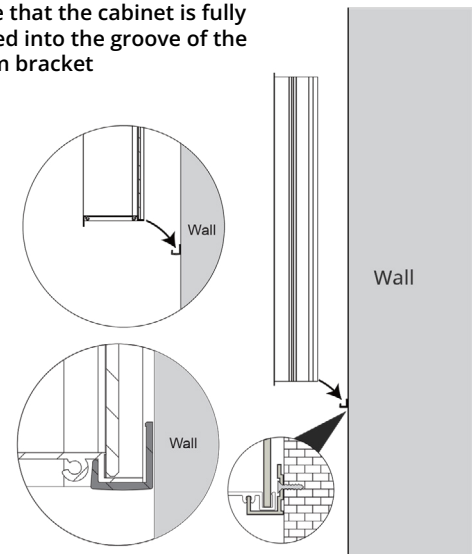
- 3 Drill holes in the mark. Put the wall anchors. Attach the bottom mounting bracket to the wall with screws.



- 4 Rest the cabinet on the mounting bracket and hold in place (need 2 persons).

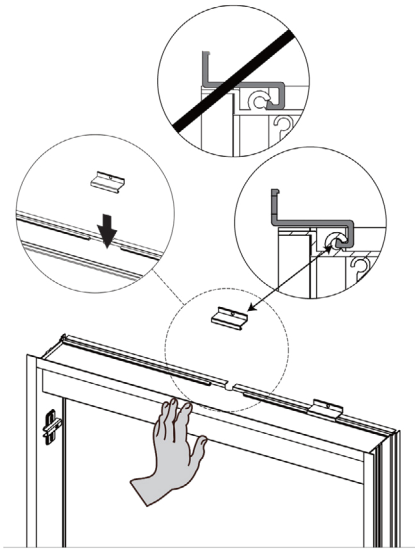


Ensure that the cabinet is fully inserted into the groove of the bottom bracket

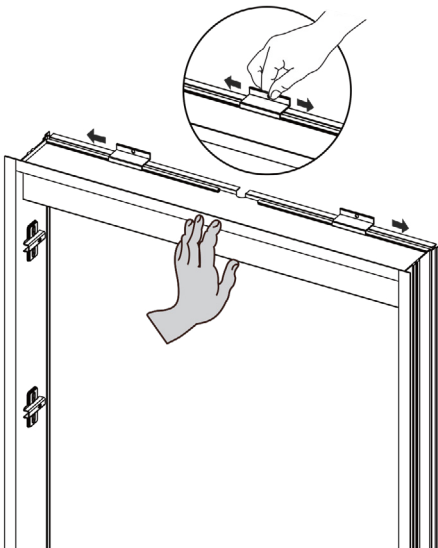


SURFACE-MOUNTED INSTALLATION

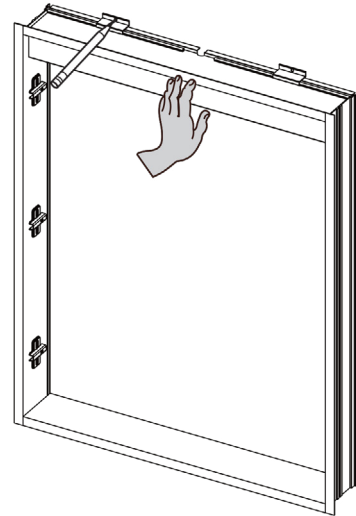
- 5 Insert the top mounting bracket into the top of the cabinet.



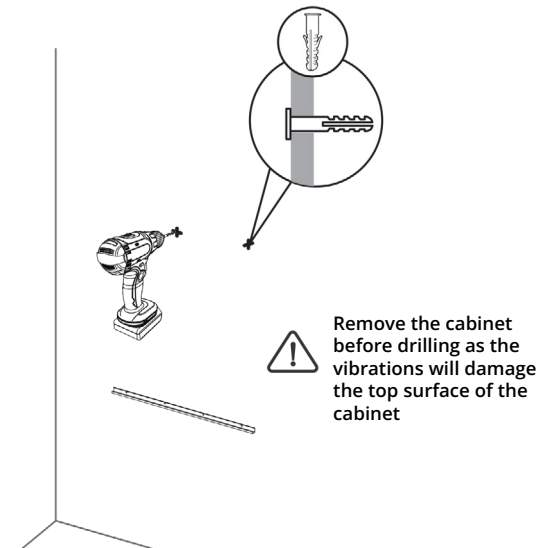
- 6 Make sure top brackets are locked in the grooves.



- 7 Adjust the position of top mounting bracket and mark holes with a pencil.



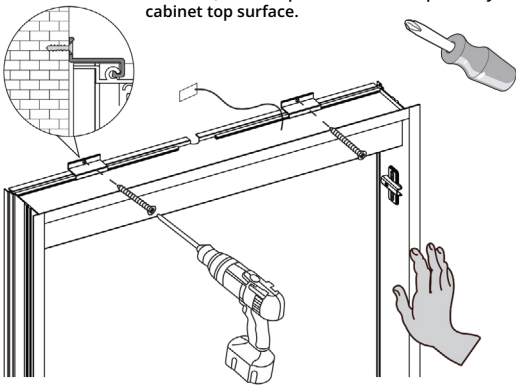
- 8 Remove the cabinet and drill holes on the marked position. Put in wall anchors.



SURFACE-MOUNTED INSTALLATION

- 9 Insert the cabinet on the bottom mounting bracket again and hold in place, then attach the top mounting bracket to the top of cabinet. Attach the top mounting brackets to the holes with screws.

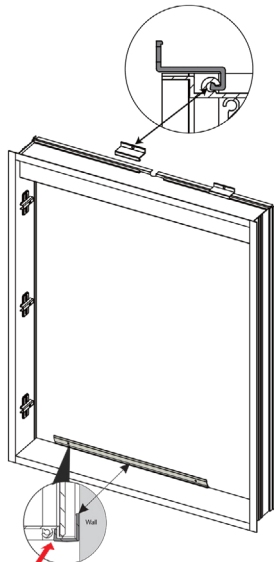
NOTE: Vibrations may occur with the electric drill, If unsure, use Phillips Screwdriver to protect your cabinet top surface.



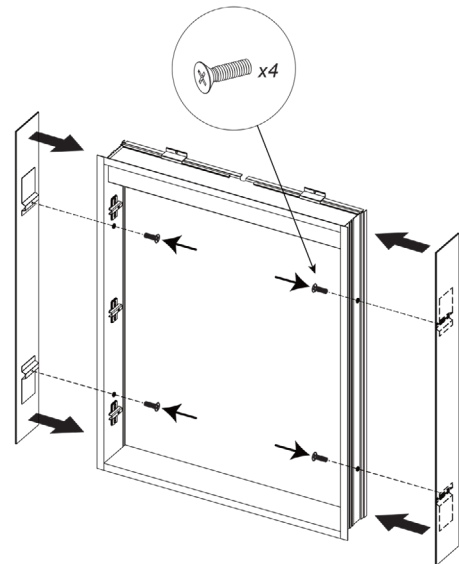
⚠ Top mounting brackets must be attached to furring strip/channel or wall studs

- 10 Test the fit of the cabinet before final assembly.

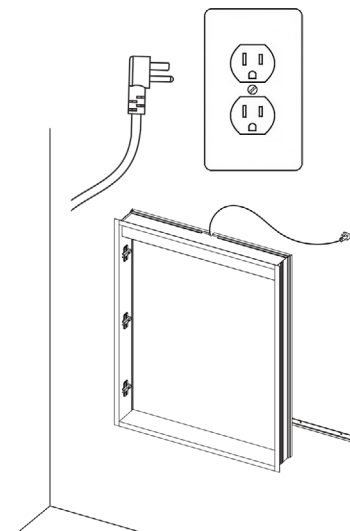
⚠ Make sure cabinet is leveled and fully inserted into the groove of the bracket.



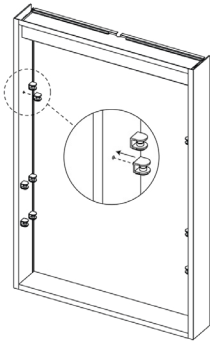
- 11 Install the side mirrors.



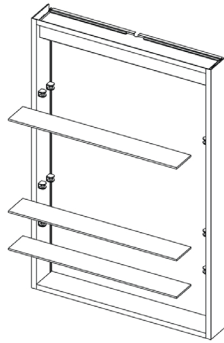
- 12 Plug in the mirror to the grounded outlet.



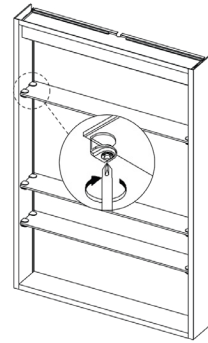
GLASS SHELF INSTALLATION



Insert clear snap in shelf clips into holes on the sides of the cabinet.

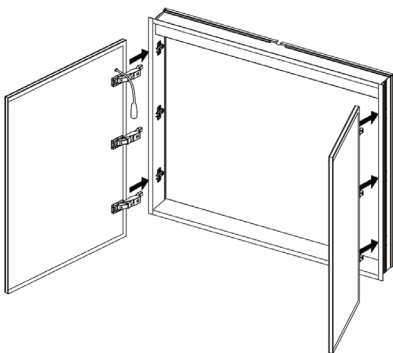


Insert the glass shelf along the board clip slot.



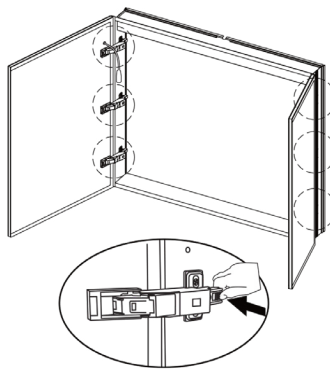
Make sure to tighten the plastic screw at the bottom of the shelf support to prevent the shelves from becoming loose.

MIRROR DOOR INSTALLATION

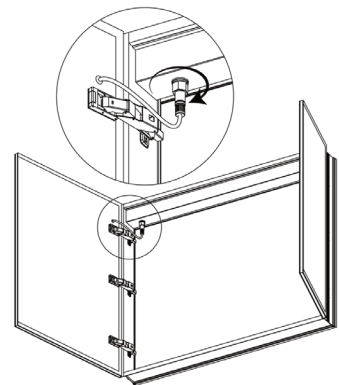


Slide the doors into place by pinching the end of the hinges.

Plug the door into the cabinet.

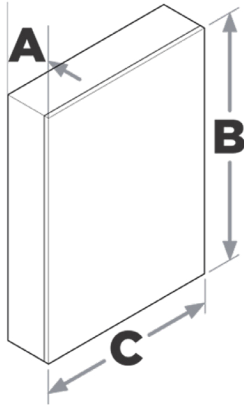


Press the end of the hinge to match the hinge seat.



Install wiring terminals.

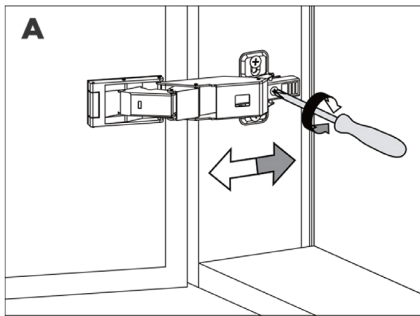
OPTIONAL DOOR ADJUSTMENT



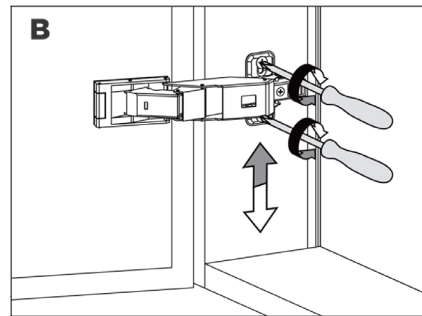
Doors may need to be adjusted after the initial shipping of the cabinet.

The cabinet doors have a three-way adjustment feature: height, side to side, level and depth.

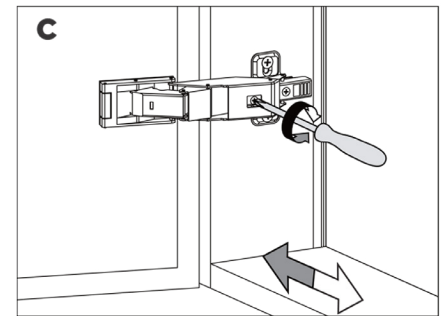
- With the hinge fully extended you can access the front and back screws. These screws will move the door side to side and in and out (See A & C).
- With the hinge slightly closed you can access the middle screw for up/down adjustment (see B).



Depth adjustment






Height adjustment



Side to side adjustment

OPERATING INSTRUCTIONS

-  Touch to turn light and defogger on/off. (The heating pad/defogger auto turns off after one hour).
-  Press and hold to adjust color temperature
-  Press and hold to adjust the brightness.
Touch will increase/decrease the brightness in 10% increments.

This LED mirror has brightness and color temperature memory settings capability. Turning off (whether through touch or light switch) saves the last settings used.