

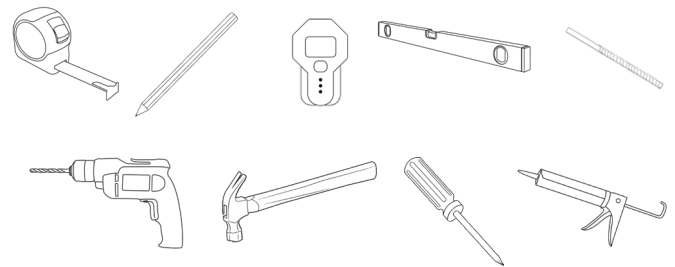


Getting Started

Before installation, check the product for any shipping damages. If you find damages, do not install and contact your dealer or ICO.

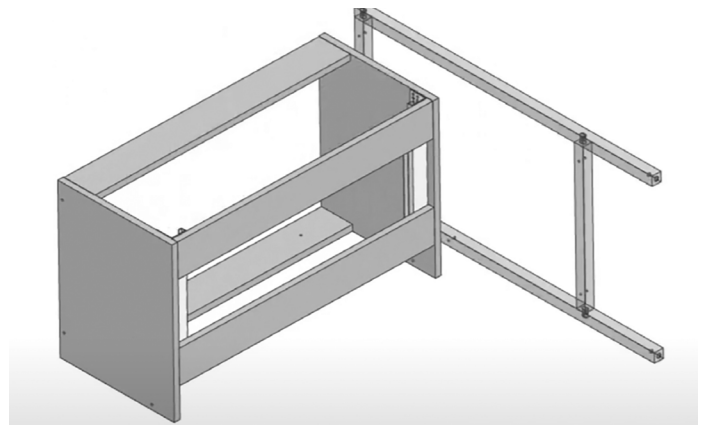
Any wall to which the vanity will be installed must be of suitable construction to support the product's weight.

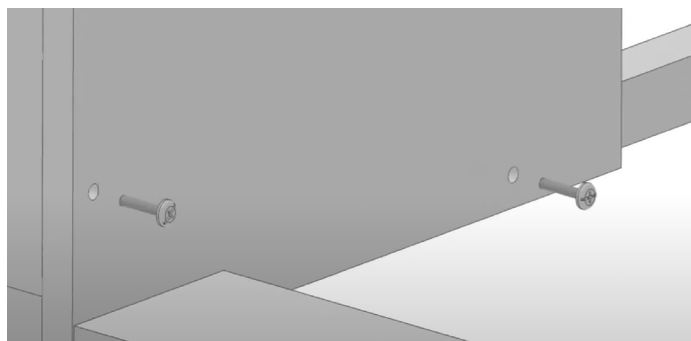
Required Tools and Materials



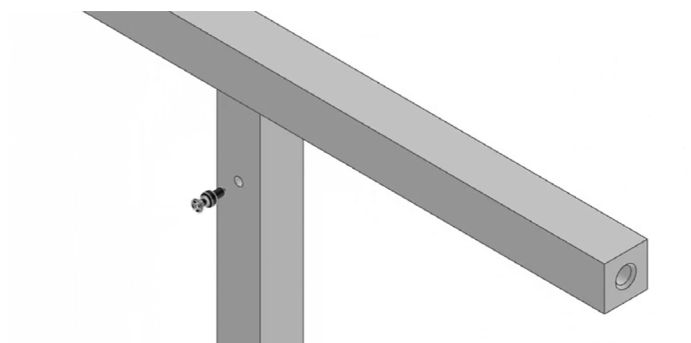
Vanity Installation

- 1 Unpack your vanity and set it on the floor – ensure you lay out floor protection – cardboard, towel etc.
- 3 Add legs to each side, and secure them from the inside of the vanity using the provided screws.

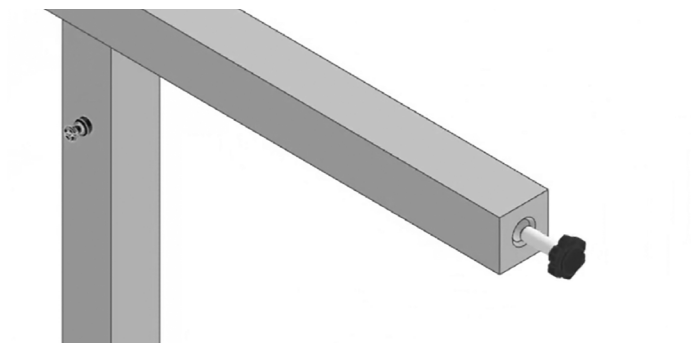




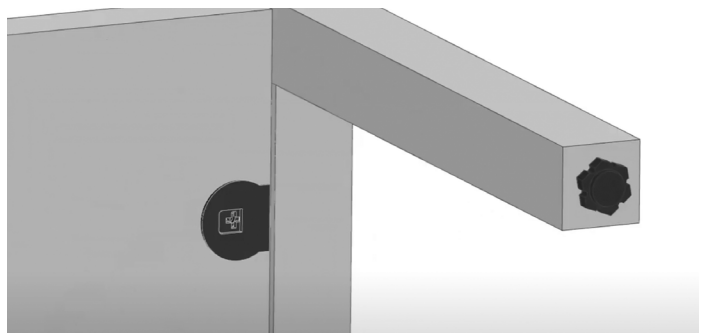
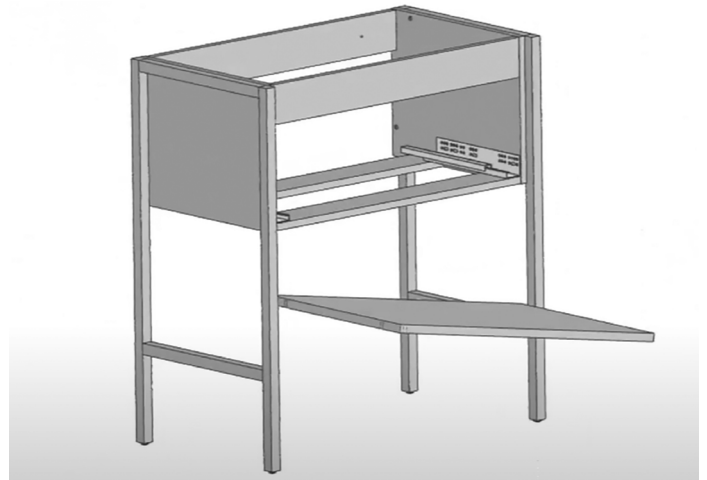
- 4 Add provided shelf screws to the legs.



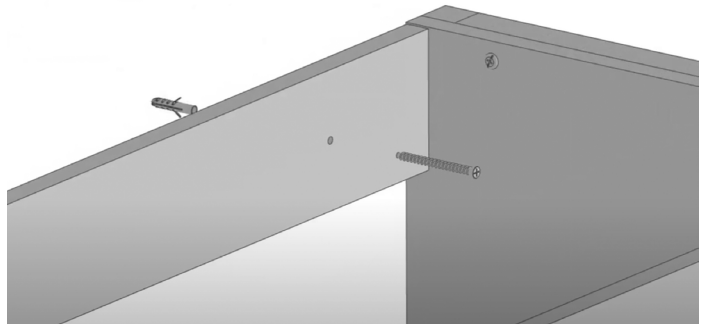
- 5 Add levellers to the bottom of the legs.



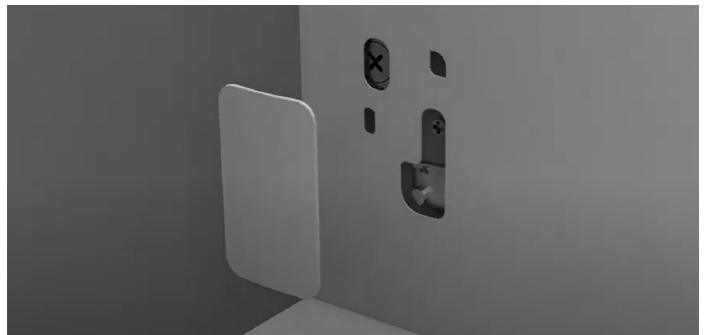
- 6 FOR VANITY WITH SHELF - add shelf to the vanity and tighten using the fasteners on the bottom of the shelf.



- 7 Predrill and install drywall anchors - we suggest an 8mm - 1/8 inch bit (not necessary if mounting into studs) - screw the vanity to the wall.



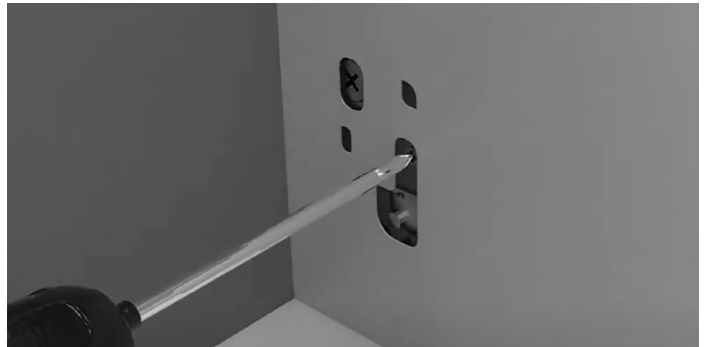
- 8 Remove the decorative cap on each side of the drawers. This is located near the front of the drawer on the inside.



- 9 Use the top screw to adjust the vanity drawer from side to side.



Use the bottom screw to adjust the vanity drawer up and down.



- 10 Silicone the top edges of the vanity, and place sink/top – allow 24 hours for silicone to dry and cure.



Thank you for choosing Calma!

Exhibit your Style

Snap a picture, share and tag us:

