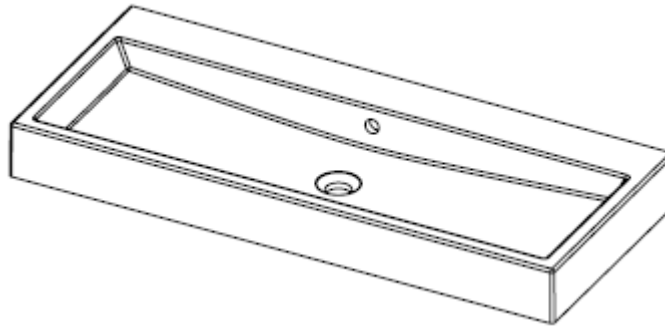


A



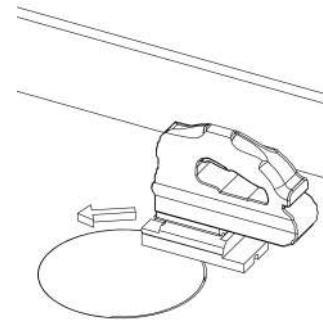
Parts Included	QTY
A - Vessel Sink	1

Not Drawn to Scale

B

## 1 Installation Steps

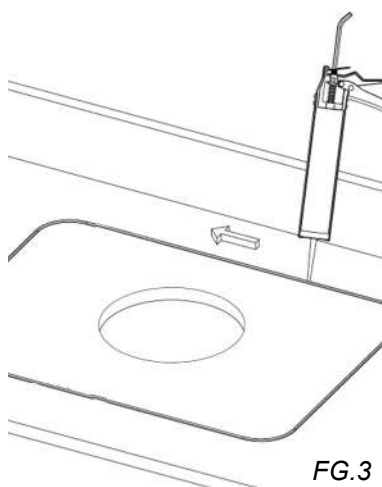
1. At the drain location, mark cutout on the counter to facilitate the drain. The holes should be 3 1/2" diameter.



FG.2

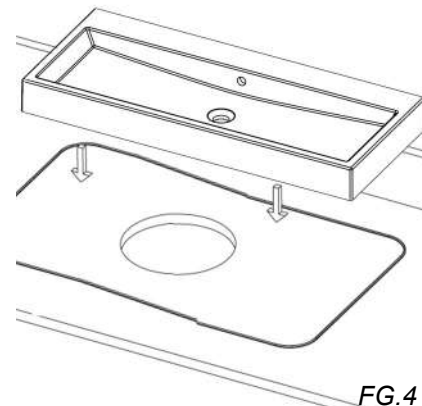
2. Cut out the counter -The cutting tools required will depend on the surface to be cut. FG.2

3. Apply a bead of silicone to the perimeter of the hole at the point at which the sink sits on the counter. FG.3



FG.3

4. Lower the sink into the hole and ensure that it makes contact with the silicone. FG.4



FG.4



To Dream For

## Specifications & Drawings

Model #	Description	Finish	Weight (lb)	Height from Countertop	WxD (mm)	WxD (Inches)
B9931	Vivaldi Trough Vessel Sink	Gloss White	44	3 15/16"	1000 x 420	39 3/8" x 16 17/32"

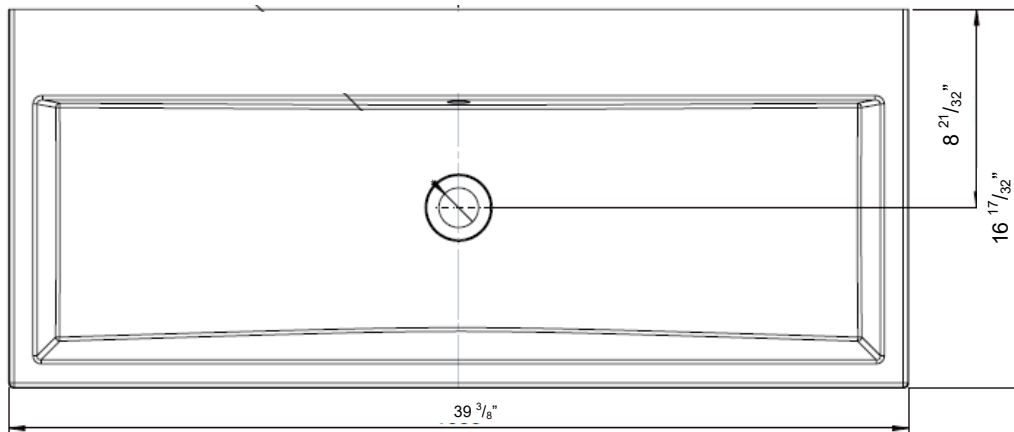
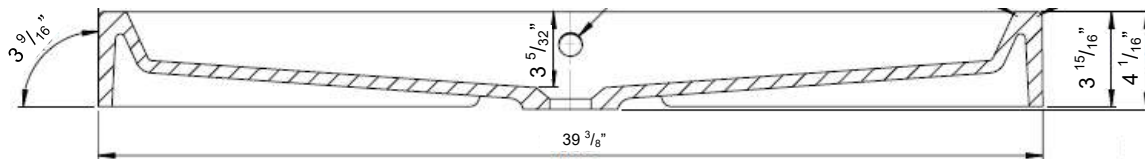
**Warranty:** 5 Years

**Care & Maintenance:** Simple inexpensive household ingredients such as vim cleaner, vinegar, or water with lemon can be used to clean your cast marble basin. Surfaces may be cleaned with standard nonabrasive cleaning agents.

**Material specifications:** A natural composite of cast marble containing 70% natural aggregate dolomite rock, polyester resins and gel coat.

**Overflow:** Included

### Front Counter Section



Top

#### Checkpoint 1:

When positioning the sink in the counter, ensure there is room for the faucet and escutcheon between the sink & the face of the backsplash.

#### Checkpoint 2:

If you need to cleanup silicone from the edge of the sink, do not use acetone, paint thinner or similar products. Putting blue tape on the counter & around the sink whilst embedding the sink into the silicone helps to keep silicone off the sink.



All Dimensions are in Inches