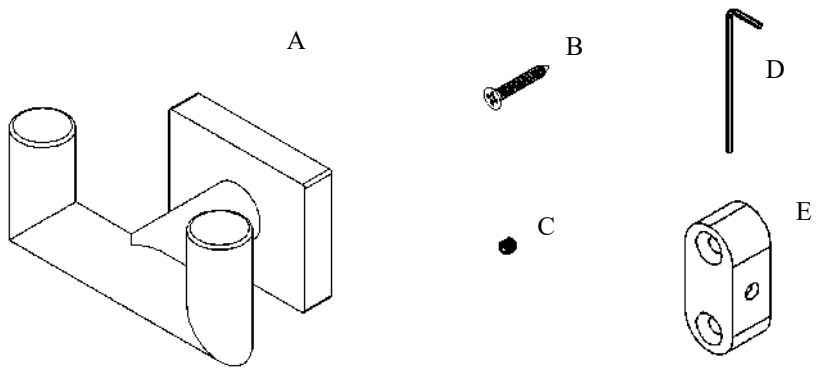




Exhilarating by Design

Volkano Crater Double Towel Hook Installation Guide

Code: V62223, V62224, V62225



Parts Included	QTY
A - Double Towel Hook	1
B - Screw	2
C - Set Screw	1
D - Allen Key	1
E - Bracket	1

Model #	Description	Finish	Weight (lb)	WxHxD (mm)	WxHxD (Inches)	Metal Type
V62223	Crater Double Towel Hook	Chrome	0.45	91 x 58 x 64	$3\frac{37}{64} \times 2\frac{29}{32} \times 2\frac{33}{64}$	Brass
V62224	Crater Double Towel Hook	Brushed Nickel	0.45	91 x 58 x 64	$3\frac{37}{64} \times 2\frac{29}{32} \times 2\frac{33}{64}$	Brass
V62225	Crater Double Towel Hook	Matte Black	0.45	91 x 58 x 64	$3\frac{37}{64} \times 2\frac{29}{32} \times 2\frac{33}{64}$	Brass

Warranty: 2 Years

Care & Maintenance: A periodic wash using warm water and a soft cloth will retain the high quality finish of your Volkano product for many years to come. ON NO ACCOUNT should any household bleaches, detergents, abrasive polishes, steel wool or other cleaning agents be used on this item.

