



From Zero to Zen

SORANO TOWEL WARMER

INSTALLATION GUIDE

E4013 / E4014 / E4015 / E4016
19.5" x 23" Plug-In



877-757-8930
www.icobath.com



Towel Warmer Installation Procedure

STEP 1

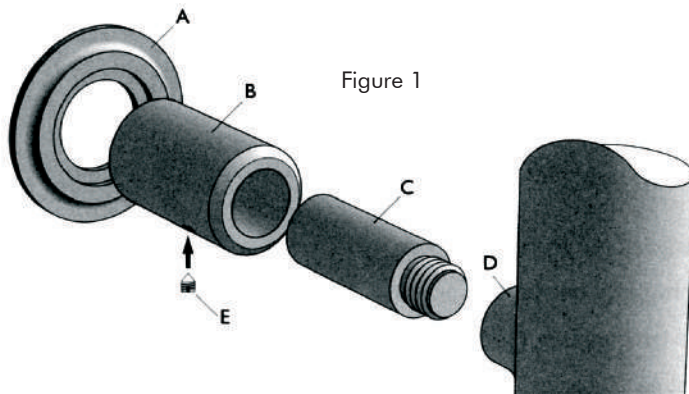
Rough-in Requirements (see figure 3)

1. A 110V receptacle located no further than 18" from electric plug-in exit location on towel warmer (see fig. 2), and not above electric plug-in exit location.
2. Wall studs or plywood backing is required in the wall at all bracket locations. See figure 2 for bracket locations.

STEP 2

Installation Instructions (see figure 1)

1. Check all items have been received. You should have received a towel warmer and mounting bracket kit. Read all instructions before continuing.
2. Fix wall supports "B" including collar "A" to the wall using the screws provided and in locations as shown on figure 2.
3. Screw the threaded pin "C", into the threaded bushing "D" on the back of the towel warmer.
4. Hang and adjust the towel warmer using set screws "E" to lock pin "C" in the wall bracket "B". Ensure the towel warmer is firmly and safely fixed.



STEP 3

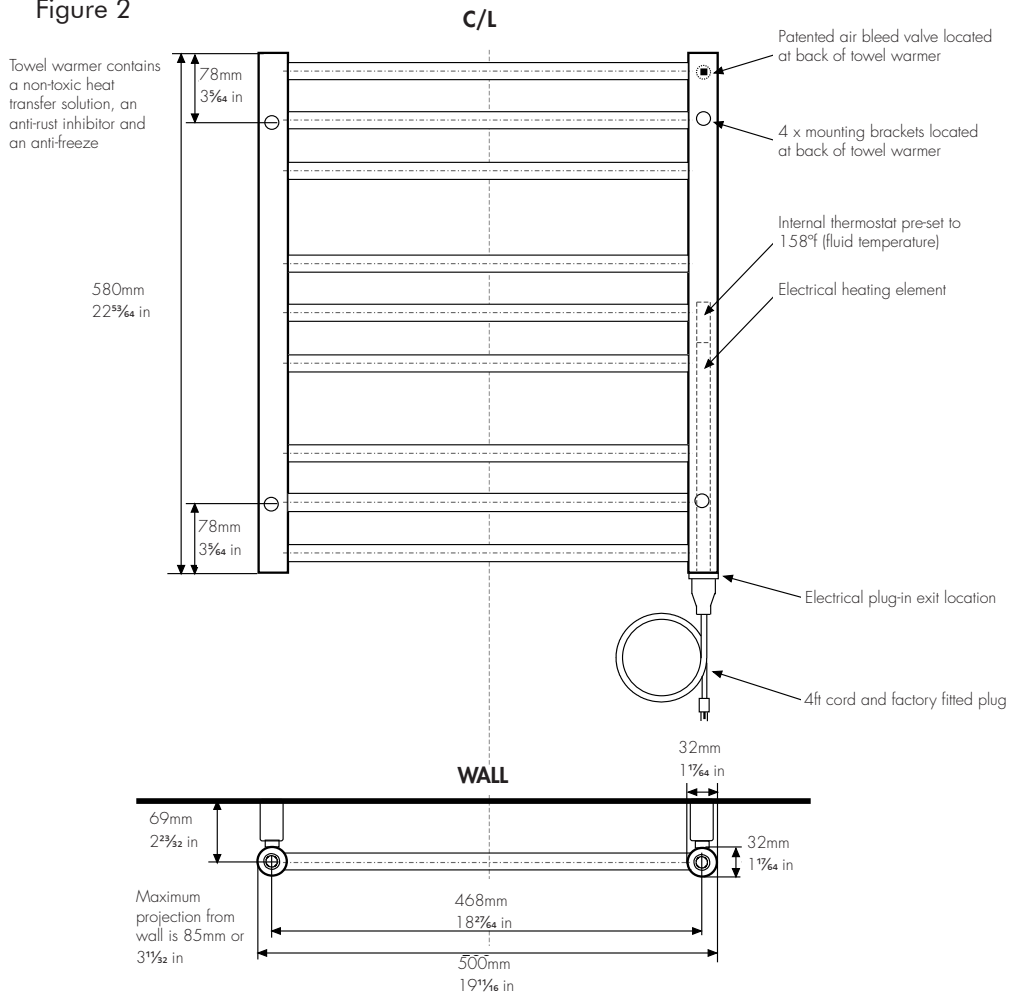
Electric Plug-In Connection

Do not connect the Towel Warmer to the power supply until all instructions have been read and installation carried out in accord with them. The heating element is 150W / 300W / 450W 110V. The element conforms to UL standards and the unit to CSA standards (File ref: 229718). Ensure the CSA label is visible.

1. Turn off power supply.
2. Plug connector in.
3. Switch on power supply again.

Warning: In case of damage or failure of the Towel Warmer the unit should be returned to the manufacturer or their distributor. The warranty of 2 year on the heating element and lifetime on the Towel Warmer is NOT VALID in case of improper use or installation. Product is designed for use within Canada and the United States only.

Figure 2



Warning: In case of damage or failure of the towel warmer the unit should be returned to the manufacturer or their distributor. The warranty of 2 years on the heating element and limited lifetime on the towel warmer frame is NOT VALID in case of improper use or installation. **Do not hang towel warmer upside down.** Product is designed for use within Canada and the United States only.



Specifications

Model #	Description	Finish	Weight (lb)	Element Size	Output (BTU)	WxH (mm)	WxH (Inches)	Metal Type
E4013	Sorano Plug-in	Chrome	17.6	150W	512	500 x 580	19.5" x 22.75"	Mild Steel
E4014	Sorano Plug-in	Brushed Nickel	17.6	150W	512	500 x 580	19.5" x 22.75"	Stainless Steel
E4015	Sorano Plug-in	Matte Black	17.6	150W	1024	500 x 580	19.5" x 22.75"	Mild Steel
E4016	Sorano Plug-in	Polished Nickel	17.6	150W	512	500 x 580	19.5" x 22.75"	Mild Steel

Heating Element Specifications: 150 watt / 300 watt / 450 watt, 12" long / 18" long / 23" long, 110 volt, 60 Htz, IP55 cord, ULC approved

Material Specifications: Mild Steel - Din 2394 Quality - ST 34-2 KB / Stainless Steel - Din 17457 Quality - 1.4301

Warranties:

- **Towel Warmer Frame:** Limited lifetime warranty. Refer to www.icobath.com for full warranty coverage details.
- **Heating Element:** 2 years
- **Programmable Controller:** 2 years

Fixings: Screws, and Allen Key (if needed) are included.

Heating Element Location: Right-hand vertical tube unless specified otherwise.

Care & Maintenance: A periodic wash using warm water and a soft cloth will retain the high quality finish of your towel warmer for many years to come. ON NO ACCOUNT should any household bleaches, detergents, abrasive polishes, steel wool or other cleaning agents be used on this item.

No de modele	Description	Finition	Inds (lb)	Taille de l'élément	Sortie (BTU)	LxH (mm)	LxH (inches)	Type de métal
E4013	Avec Prise de Courant	Chrome	17.6	150W	512	500 x 580	19.5" x 22.75"	Acier doux
E4014	Avec Prise de Courant	Nickel Brosse	17.6	150W	512	500 x 580	19.5" x 22.75"	Acier inoxydable
E4015	Avec Prise de Courant	Noir	17.6	150W	1024	500 x 580	19.5" x 22.75"	Acier doux
E4016	Avec Prise de Courant	Nickel Poli	17.6	150W	512	500 x 580	19.5" x 22.75"	Acier doux

Spécifications de l'élément chauffant: 150 W / 300 W / 450 W, 12 in de longueur / 18 in de longueur / 23 in de longueur, 110 V, 60 Htz, cordon IF55, approuvé par ULc

Spécifications des matériaux: Acier doux - Qualité Din 2394 - ST 34-2 KB / Acier inoxydable - Qualité Din 17457 - 1.4301

Garanties:

- **Cadre chauffe-serviettes:** Garantie à vie limitée. Consultez le site www.icobath.com pour plus de détails sur la couverture de la garantie.

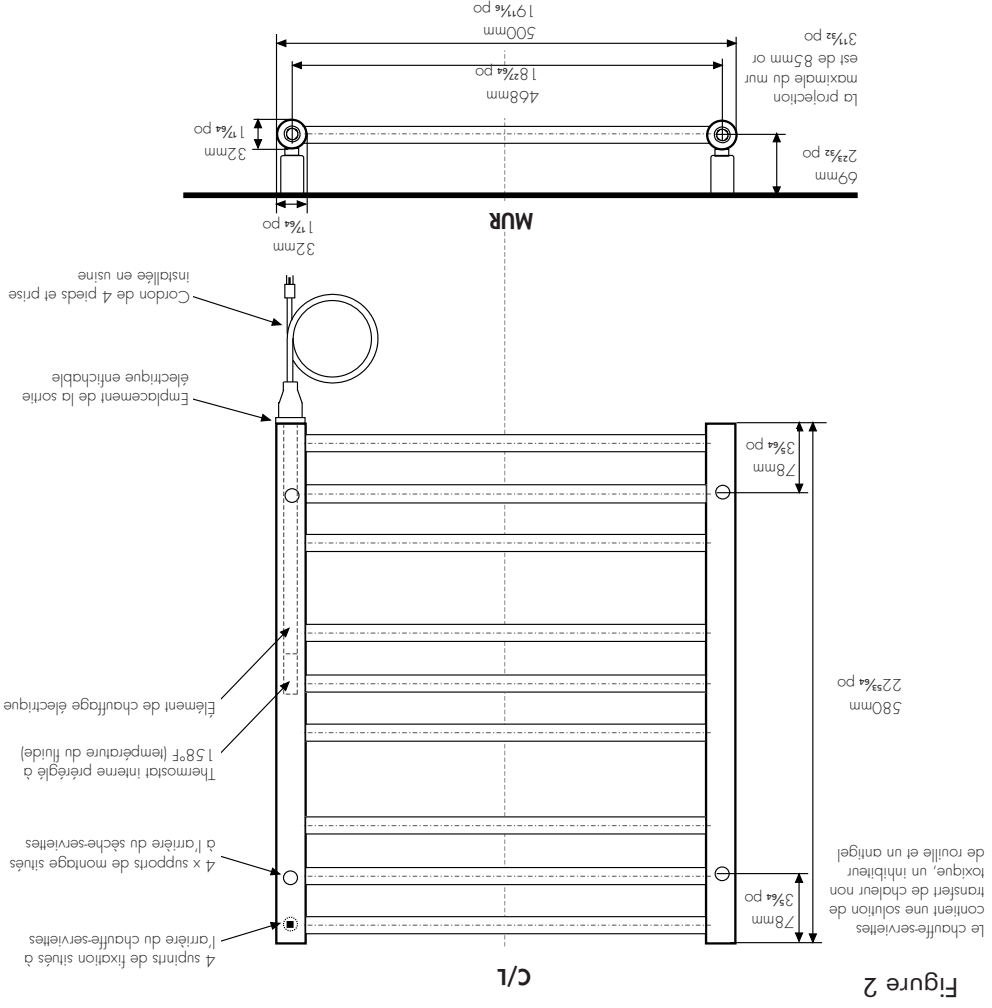
- **Élément chauffant:** 2 ans
- **Contrôleur programmable:** 2 ans

Fixations: Des vis et une clé Allen (si nécessaire) sont incluses.

Placement de l'élément chauffant: Tube vertical droit, sauf indication contraire.

Entretien et maintenance: Un lavage périodique à l'aide d'eau chaude et d'un chiffon doux préservera la finition de haute qualité de votre chauffe-serviettes pendant de nombreuses années. EN AUCUN CAS, vous devez utiliser de l'eau de Javel, des détergents, des produits de lissage abrasifs, de la laine d'acier ou d'autres agents de nettoyage domestiques sur cet article.

Avertissement : En cas de détérioration ou de détachement des chaudières, l'appareil doit être renvoyé au fabricant ou à son distributeur. La garantie de 2 ans sur l'élément chauffant et la durée de vie limitée sur le cadre du chaudières ne sont pas transférables. Ne pas suspendre le chaudières à l'envers. Le produit est conçu pour être utilisé uniquement au Canada et aux États-Unis.





877-757-8930
www.icobath.com

E4013 / E4014 / E4015 / E4016
Avec Prise de Courant 19.5 po x 23 po

D'INSTALLATION

SORANO CHAUFFE-SERVIETTES

De Zéro à Zéro

