



HYDRO SYSTEMS

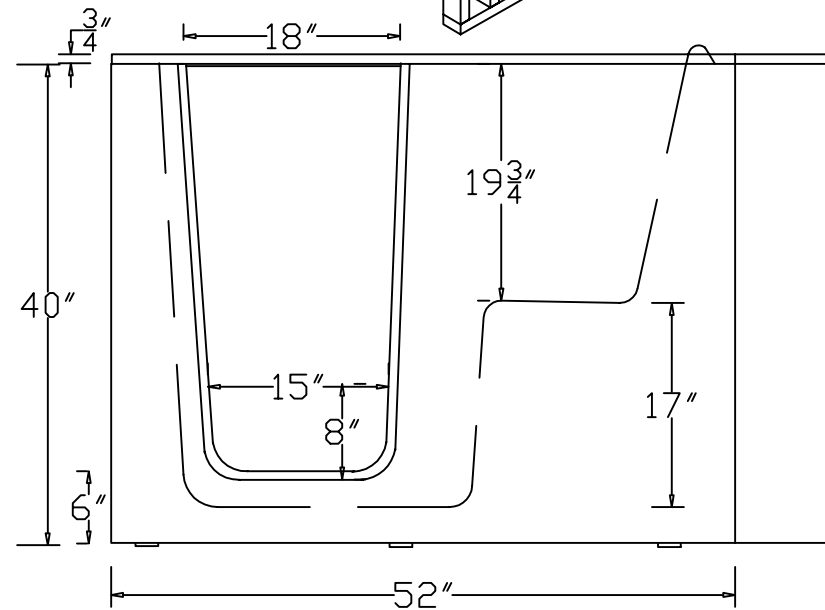
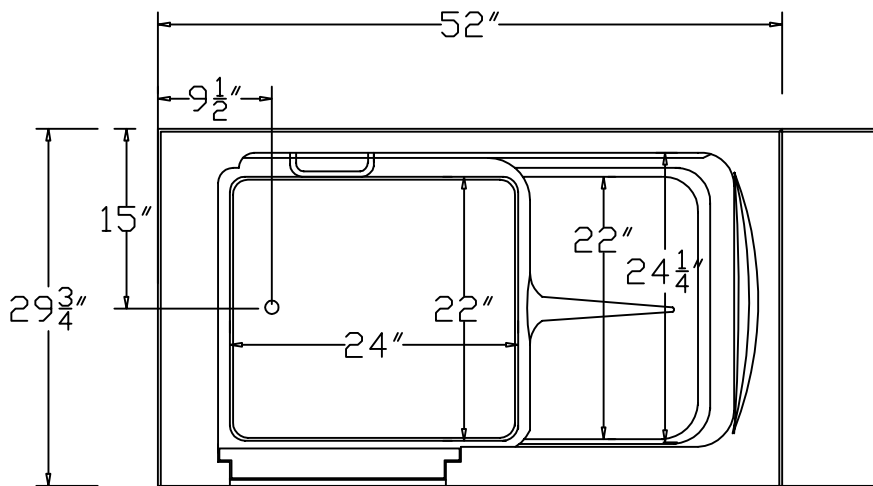
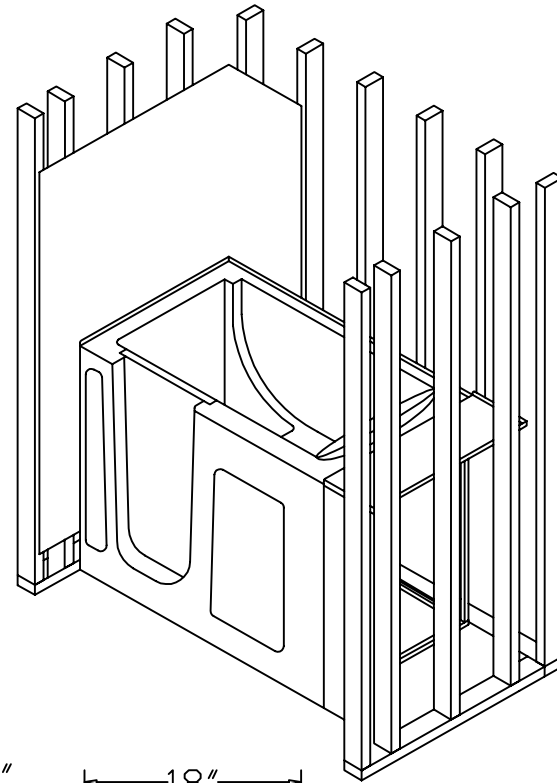
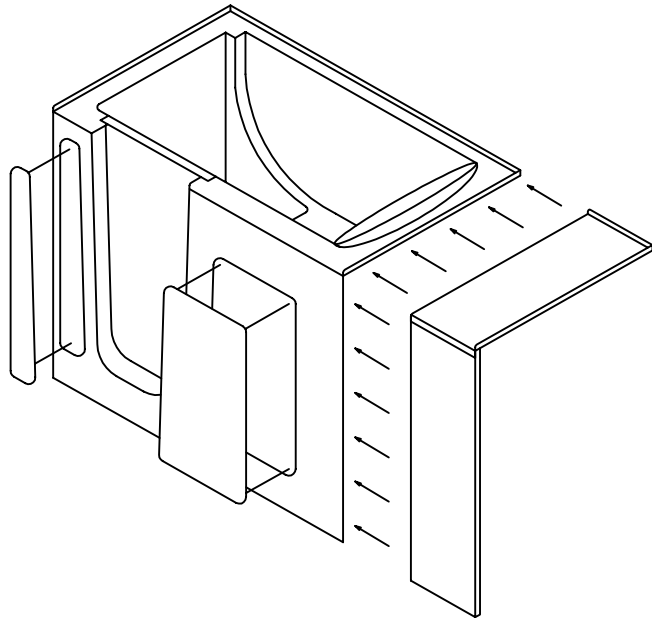
family owned and operated since 1978

Supplement to Installation Instructions

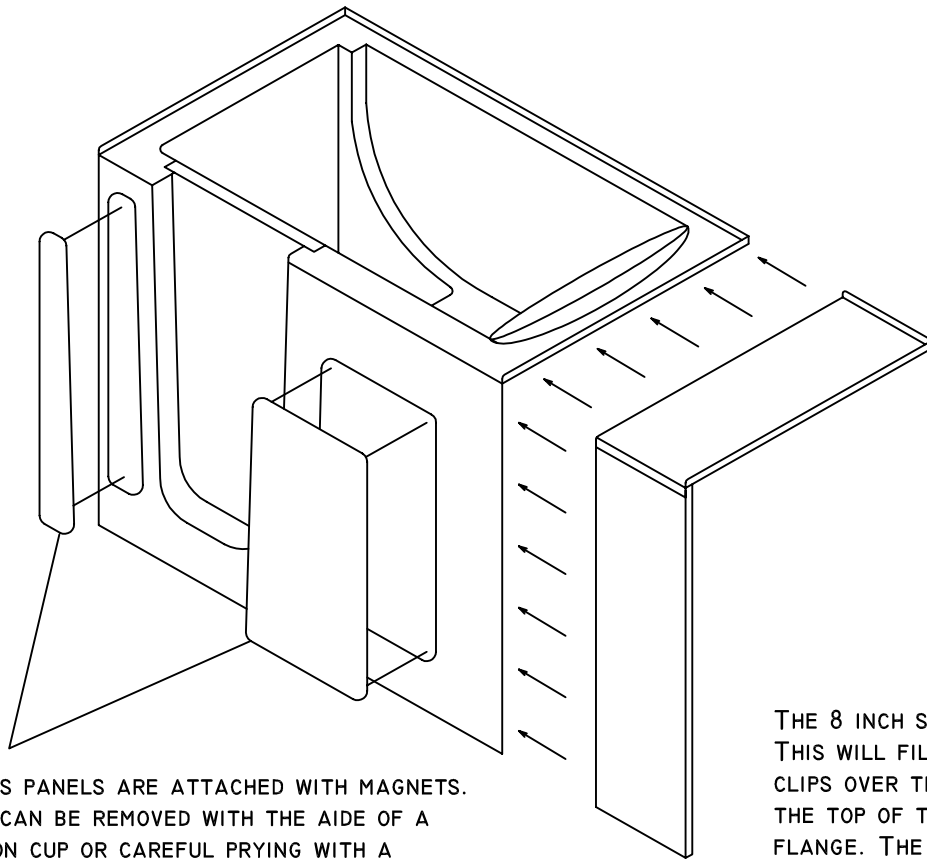
Drawings and Details for Lifestyle 3052 Walk-In Tub

The following pages contain information pertaining to the installation of a Hydro Systems Lifestyle 3052 Walk-In tub.

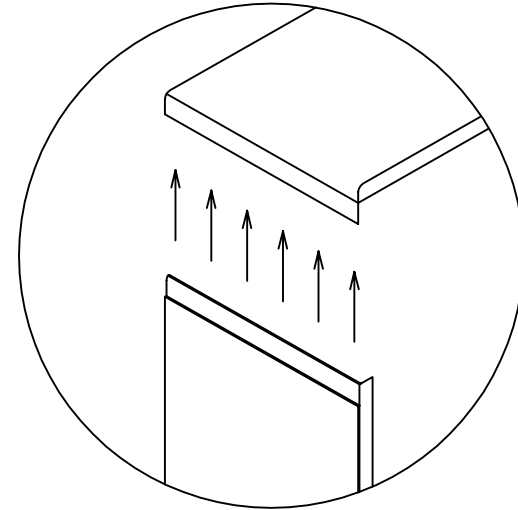
DIMENSIONS & INSTALLATION ILLUSTRATION



REMOVABLE ACCESS PANELS & 8" SHELF AND EXTENSION PANEL

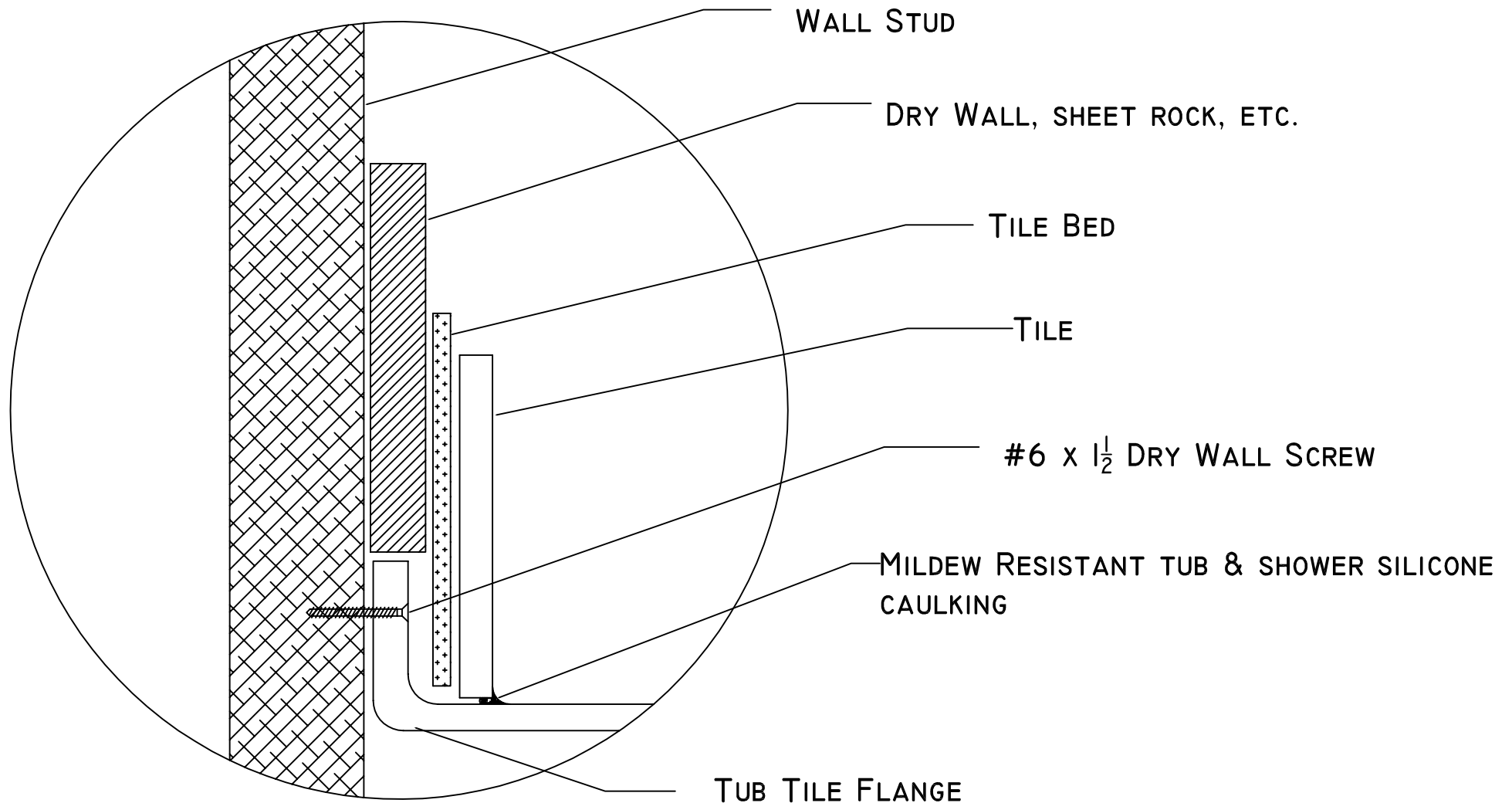


ACCESS PANELS ARE ATTACHED WITH MAGNETS. THEY CAN BE REMOVED WITH THE AIDE OF A SUCTION CUP OR CAREFUL PRYING WITH A WOODEN SPLINT.



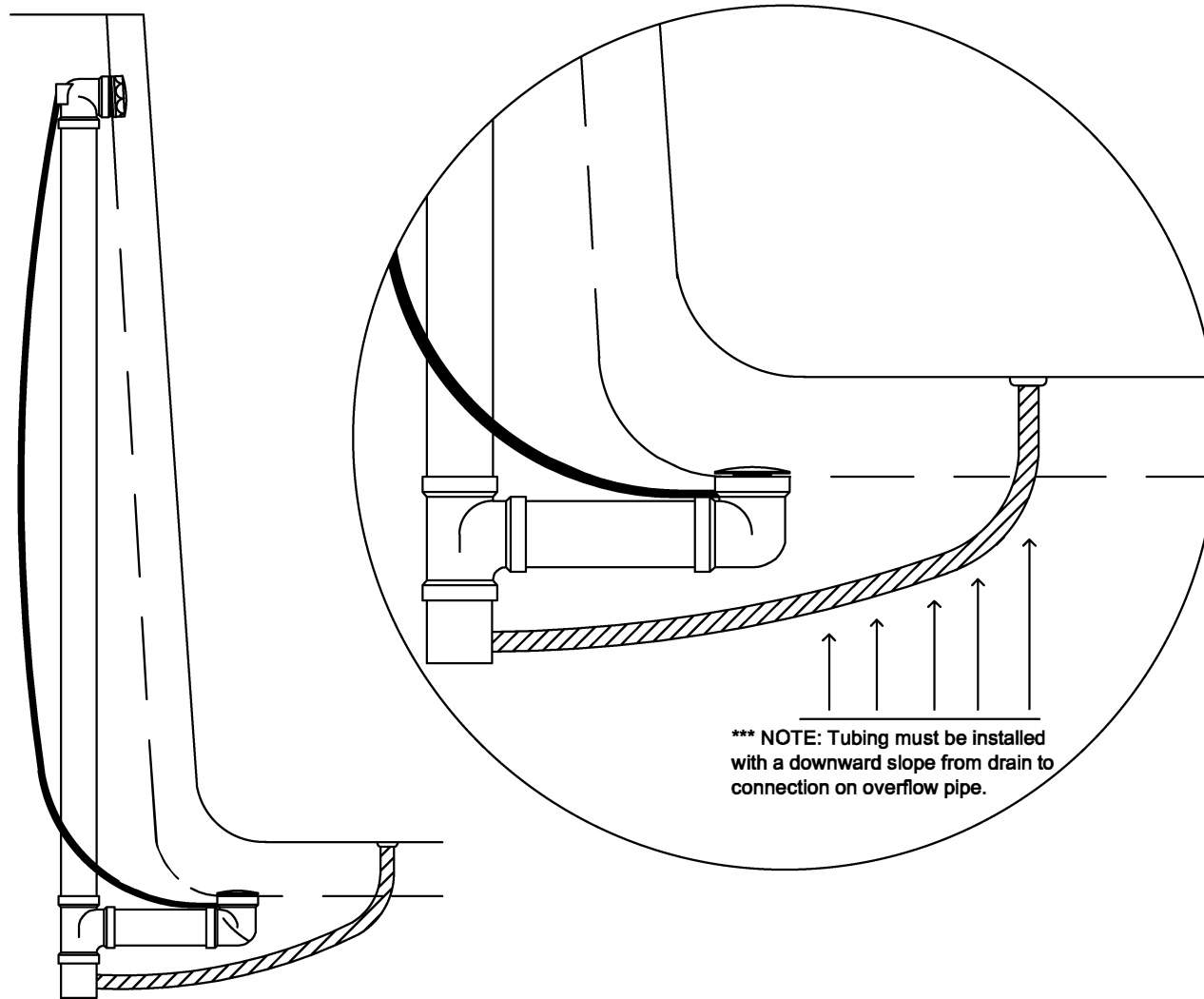
THE 8 INCH SHELF AND EXTENSION PANEL INCREASE THE TUB FROM 52 INCHES TO 60 INCHES. THIS WILL FILL A STANDARD EXISTING 60 INCH BATHTUB OPENING. THE EXTENSION PANEL CLIPS OVER THE SKIRT OF THE TUB. THE SHELF FITS OVER THE TUB TILE FLANGE AND OVER THE TOP OF THE EXTENSION PANEL. INSTALL THE SHELF TILE FLANGE LIKE A NORMAL TILE FLANGE. THE INTERIOR OF THE EXTENSION PANEL HAS AN INVERTED FLANGE THAT CAN BE MOUNTED LIKE A REGULAR TILE FLANGE THROUGH THE ACCESS PANEL OPENING. APPLY SILICONE TO THE EXTENSION PANEL AND SHELF EDGES AFTER INSTALLATION IS COMPLETED WHILE APPLYING SILICONE TO THE TILE FLANGE OF THE TUB.

INSTRUCTIONS FOR TILE FLANGE INSTALLATION



IMPORTANT NOTE: PRE-DRILL HOLE INTO TUB TILE FLANGE BEFORE INSTALLING SCREW. DO NOT CINCH OR TIGHTEN TILE FLANGE TO STUDS. THIS CAN CAUSE FLEX IN THE UNIT THAT MAY CAUSE THE DOOR TO LEAK.

MAIN AND SECONDARY DRAIN INSTALLATION



*** NOTE: Tubing must be installed with a downward slope from drain to connection on overflow pipe.

THE DRAIN HOSE MUST BE INSTALLED WITH NO KINKS OR SHARP BENDS. THE PROVIDED FITTING WITH BRASS BARB MUST BE INSTALLED AT THE LOWEST POINT POSSIBLE OF THE OVERFLOW PIPING, BELOW THE SANITARY T, ALLOWING THE MAXIMUM SLOPE FOR DRAINAGE FROM THE SECONDARY DRAIN TO THE OVERFLOW.