

AVAILABLE SIZES

70" L x 40" W x 26" D 24" ID
 Available as drop-in: 70" L x 40" W x 25" H

WATER CAPACITY

110 Gallons

WEIGHT *(with no water)*

150 lbs. Tub Only
 180 lbs. Thermal Air

BACK SLOPE

30°

STANDARD COLORS

White, Almond, Biscuit, Bone

PREMIUM COLORS

Black, Mexican Sand, Cashmere, Red,
 Linen, Sandbar, Sterling Silver, Ice Gray

WARRANTY

99/9 year

OPTIONS

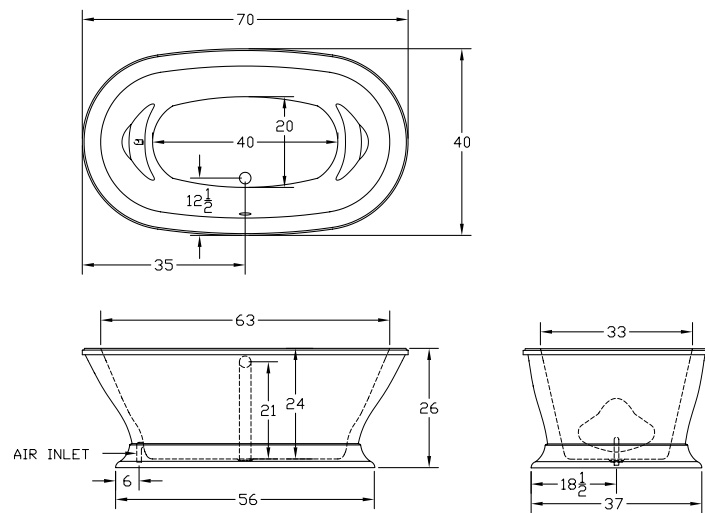
- Thermal air
 - 1 – 20 AMP dedicated GFI
 - Blower must be remotely located
- Extra High Density Fiberglass
- Chromatherapy-LED Mini Spotlights
- Chromatherapy-LED Lighting System



- Grab Bars



- Linear Overflow
 Available in multiple finishes



- Remote Control



- Tower



CODES AND COMPLIANCES

Massachusetts code File no: P3-0714-477

