

HOURGLASS 7242

STUDIO COLLECTION

H | S

PVC SYSTEMS INCLUDE:

- 6 FULLY DIRECTIONAL ADJUSTABLE FLOW PVC JETS
- ANTI-VORTEX SAFETY SUCTION
- COLOR MATCHED SYSTEM TRIM
- RIGID PVC PIPING
- SELF DRAINING PUMP AND SYSTEM
- SOFT TOUCH ELECTRONIC ON/OFF CONTROL WITH 30-MINUTE INTEGRAL TIMES
- 1.25 HP SINGLE SPEED PUMP



OPTIONS: [\(MORE INFORMATION AVAILABLE ON OUR WEBSITE\)](#)

- Custom Jet and Pump Location
- Hydro Coat
- Hydro Express Quick Ship
- HydrOzone System
- In-line Heater
- Jet Plating
- Skirt
- Tile Flanges
- Cable Waste & Overflow
- Integral Waste & Overflow

STANDARD ELECTRICAL REQUIREMENTS:

- Whirlpool System | One 20 Amp Dedicated Circuit
- Thermal Air System | One 15 Amp Dedicated Circuit
- In-line Heater (600 or 1500 Watts) | One 15 Amp Dedicated Circuit

All electrical components come standard at 115 volts

All electrical circuits must be GFCI protected

CODES AND COMPLIANCES

Massachusetts code File no: P1-0614-491



HYDRO SYSTEMS
Family Owned And Operated Since 1978

29132 Avenue Paine, Valencia, CA, 91355
661.775.0686 | hydrosystem.com



** Indicates options that are shown (listed in order from top to bottom/ left to right)*

HOURGLASS 7242

H | S

STUDIO COLLECTION

As SHOWN:

Whirlpool option

FEATURES SHOWN:

- Overflow location
- Standard jet location

ALSO AVAILABLE:

- Soaking tub only
- Thermal Air

SIZE:

72.42.21-1/2

BACKSLOPE:

24 degrees



WATER CAPACITY:

75 Gallons

WEIGHT:

110-130 Pounds depending on system

ACRYLIC TUB

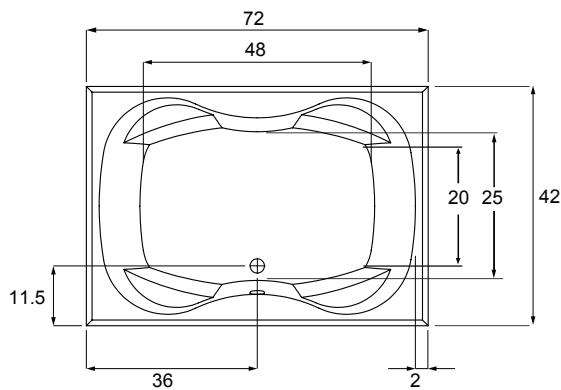
- *Tub must be set in mortar base*
- Acrylic models finished in 1/8" thick layer of deep lustrous acrylic
- Pre-wired pump on pump platform (standard pump location only)
- Integral E-Z level platform facilitates installation

DROP-IN INSTALLATION DIMENSIONS:

- (L)ength- 70"
- (W)idth- 40"
- Finish (H)eight- 20-3/4"

3-WALL INSTALLATION DIMENSIONS:

- (L)ength- 72"
- (W)idth- 42"
- Top of Ledger- 22-1/4"



Optional Equipment Dimensions

- Whirlpool Pump: 12" (H) x 16" (L)
- Thermal Air Blower: 5" (H) x 11" (L)

