

# Studio Hourglass

All Hydro Systems Studio Collection bathtubs and whirlpools are backed by our exclusive 5 year limited warranty and include the standard features.



**Available Sizes:**

**60”L x 42”W x 20”D**  
**80 Gallons**

**72”L x 42”W x 21”D**  
**80 Gallons**

**Studio Model Feature:**

- White/Almond/Bone/Natural Acrylic/Fiberglass Bathtub
- Integral Wood Base
- 6 Jets Adjustable/Directional
- Air Switch
- Silent Air Induction
- Anti-Vortex Safety Suction
- 1¼ hp UL Listed Pump, mounted
- Sturdy Cardboard Box

**Available** as Tub only, Thermal Air, Whirlpool

**Approvals & Listings**

Commonwealth of Massachusetts  
UPC & USPC - US & Canada

**Hydro Express Quick Ship**



**Electrical Component**

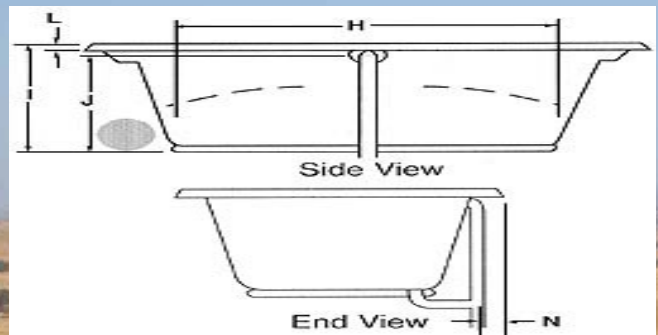
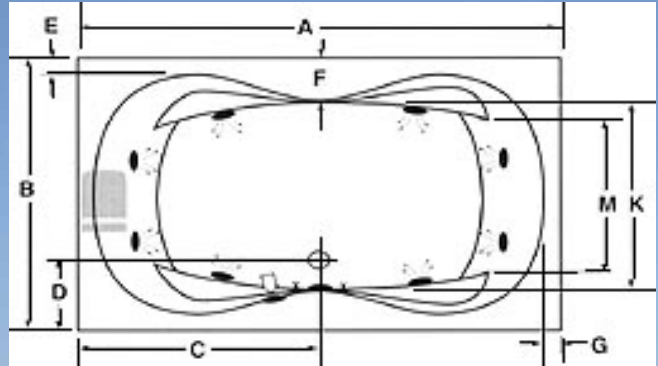
**Electrical Requirements**

Whirlpool (1.25 HP Single Speed Pump, 120V)	1 Dedicated 20 Amp GFCI Circuit
Thermal Air (1 HP Blower with 600 Watt Heater)	1 Dedicated 20 Amp GFCI Circuit
Inline Heater	
600 W	Shares Pump Circuit
1500 W	1 Dedicated 20 Amp GFCI Circuit

# Studio Hourglass



Must be set in Mortar Base



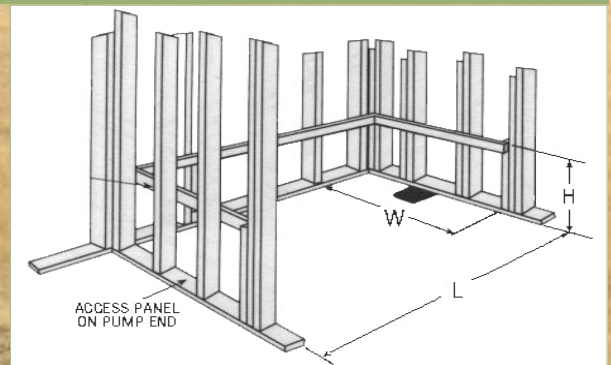
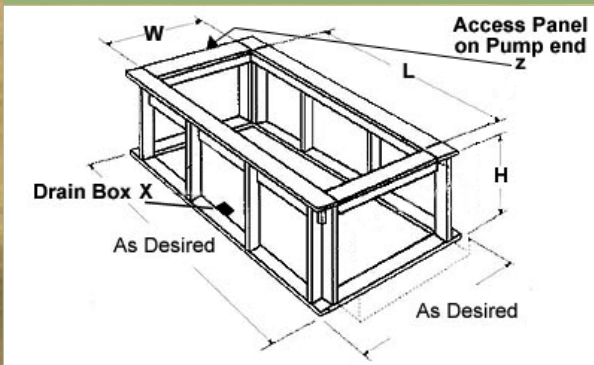
- Pump motor
- Jets
- Anti-vortex suction
- Overflow location

**AS SHOWN:**  
Whirlpool option w/ standard jets

**ALSO AVAILABLE:**  
Soaking Tub Only, Thermal Air,

Model	GC	AC	A	B	C	D	E	F	G	H	I	J	K	L	M	N	Jet	Pump	Wat.Cap.
6042	N/A	√	60"	42"	30"	10½"	2"	4½"	2¼"	40"	20½"	18"	25"	1¼"	25"	3¾"	6	1.25	80 gal.
7242	N/A	√	72"	42"	35½"	11½"	2¾"	6½"	2½"	50"	21½"	18¾"	27"	1¼"	25"	3¾"	6	1.25	85 gal.

### Framing Dimensions



### Island Drop-In

### 3 Wall Enclosure

Model	(L)ength	(W)idth	(H)eight Finish	(L)ength	(W)idth	(H)eight Ledger Molded Flange
6042	58"	42"	19¾"	60"	42"	22¼"
7242	70"	40"	20¾"	72"	42"	22¼"

Disclaimer: Certain options or altering the pump/blower location may cause the pump/blower to extend beyond the tub decking.  
For cutout dimensions wait for unit to arrive.  
All specifications subject to change without notice.