

STUDIO FREESTANDING INSTALLATION INSTRUCTIONS

IMPORTANT SAFETY INSTRUCTIONS

H | S
HYDRO SYSTEMS

family owned and operated since 1978

**INSTRUCTIONS PERTAINING TO A RISK OF FIRE,
ELECTRIC SHOCK, OR INJURY TO PERSONS.**

WARNING: WHEN USING YOUR HYDRO SYSTEMS WHIRLPOOL TUB, BASIC PRECAUTIONS SHOULD BE FOLLOWED, SEE BELOW



WARNING: This product can expose you to chemicals including styrene, which is known to the State of California to cause cancer. For more information, go to www.P65Warnings.ca.gov.

READ AND FOLLOW ALL INSTRUCTIONS

1. **DANGER:** To reduce the risk of injury, do not permit children to use this unit unless they are closely supervised at all times.
2. Use this unit only for its intended use as described in this manual. Do not use attachments not recommended by the manufacturer.
3. Never drop or insert any object into any opening.
4. Do not operate this unit without the cover over the suction fitting.
5. The unit must be connected only to a dedicated electrical supply circuit that is protected by a Ground Fault Circuit Interrupter (GFCI). The GFCI must be provided by the installer and should be tested on a routine basis by the homeowner. To test the GFCI push the test button. The GFCI should interrupt power. Push the RESET button. Power should be restored. If the GFCI fails to operate in this manner there is a ground current fault, indicating the possibility of an electric shock. Do not use the tub. Disconnect the power and have the problem corrected by a qualified service representative. Re-test the GFCI. Only when it is operating properly may the whirlpool tub be used.
6. A terminal is provided on the exterior of the control box. To reduce the risk of electric shock, connect this terminal to the grounding terminal of your electrical service or supply panel with a conductor equivalent in size to the circuit conductors supplying this equipment.

SAVE THESE INSTRUCTIONS FOR LATER REFERENCE

INSTALLATION INSTRUCTIONS

You will need to know the bathtub serial number attached to your warranty card and also located on the bottom side of the bathtub when contacting Hydro Systems.

- Read all instructions before proceeding with installation.
- Inspect the tub before installation. If any damage or defects are found, do not install the tub. If the tub is not the right size, model or color do not install the tub. Contact tech support at 661-775-0686 or email support@hydrosystem.com
- INSTALLATION OF A THE STUDIO COLLECTION FREESTANDING BATHTUB MUST MEET ALL APPLICABLE CODES AND REGULATIONS. IMPORTANT-

All tub and systems are thoroughly tested and inspected at the factory prior to shipment. However, it is possible for damage to occur during shipment and installation. Such damage is not always readily visible. To maintain the warranty, it is important to water test the tub, integral overflow and thermal system a minimum of 30 minutes for leaks prior to rough installation before enclosing the tub. Hydro Systems is not responsible for the cost to remove/reinstall a tub.

USER MAINTENANCE INSTRUCTIONS

CARE AND CLEANING-

To assure a long lasting "like new" look on your Studio Collection Freestanding bathtub we recommend the following easy care procedures:

- 1) For normal maintenance, especially after use, clean with a soft cloth or sponge and a mild soap or liquid detergent.
- 2) DO NOT USE abrasives such as scouring compounds, scouring pads, steel wool or harsh chemicals on your Hydro Systems bathtub. For deeper stains, hard scale deposits or any other cleaning or maintenance problem, contact your Hydro Systems dealer.

CLEANING INSTRUCTIONS

GLOSS FINISH

- Clean with mild dish soap and water, any non abrasive product to clean high-gloss counter surfaces will work.
- Remove dust with a soft damp cloth, for example; microfiber or calico cloths.
- Clean oil, paint, ink or grease with rubbing alcohol and dry with a soft cloth.
- Avoid using abrasive cleaners, it is not safe to use these on your glossed product.
- Please do not use any sharp objects because that might result in scratching the surface of the tub.

Please do not use anything else other than what was instructed. Improper use can result in damage to the tub or its finish and may void the warranty. Keep in mind, if you do end up damaging the tub, scratches can usually be removed, buffed or polished out by an Authorized Hydro Systems Service Agent.

FREESTANDING INSTALLATION

FIGURE 1

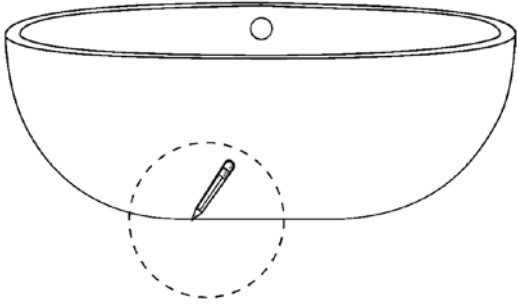


FIGURE 2

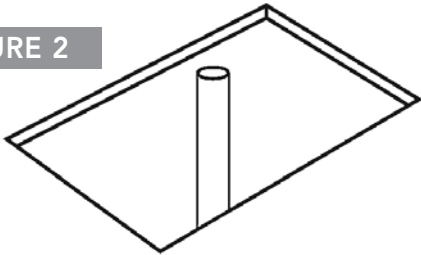


FIGURE 3

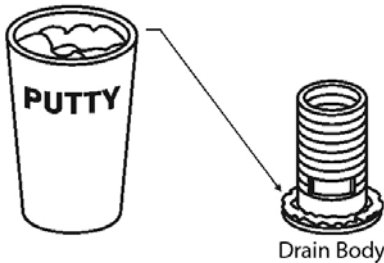


FIGURE 4

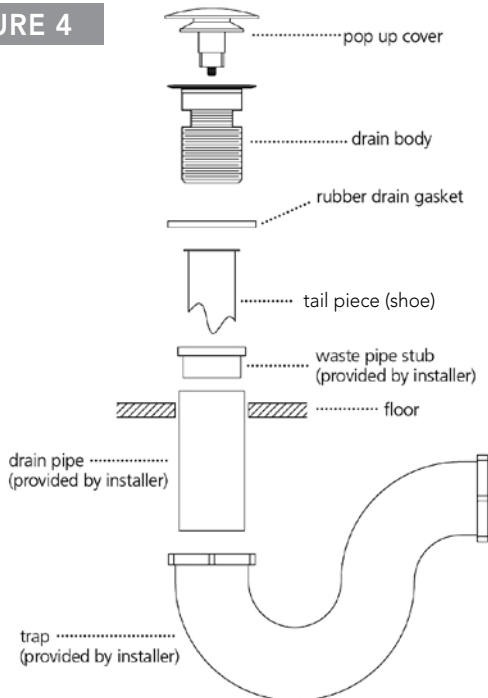
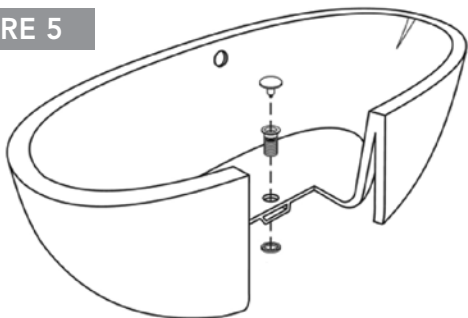


FIGURE 5



PREPARATION

- 1 Clean, level, and prepare the floor for installation.
- 2 Place the unit in the exact installed position on the floor and trace the outline of the bath with a pencil or any erasable marking (Figure 1). Templates for Freestanding bathtubs come with the tub.
- 3 Determine the location of the drain pipe, on the floor by taking measurements of the drain and waste location underneath the unit (Figure 2).
- 4 Using a blanket, cardboard, or other clean protective surface, turn the unit on its side so that the unit is properly supported during drain installation.
- 5 Clean the drain hole area in preparation of setting the strainer. The area should be dry and free of any debris.

INSTALL DRAIN HARDWARE

- 6 Apply plumbers putty around the Drain Body and pass it through the drain hole (Figure 3).
- 7 Slide the rubber washer over the drain body.
- 8 Attach the drain Body to the ABS/ PVC Shoe fitting and tighten until the Gasket has created a seal with the bottom of the bathtub. **DO NOT OVERTIGHTEN** (Figure 4).

PREPARE TAIL PIECE

- 9 Apply rubber gasket and slide it over the bottom of the Drain Body (Figure 5)
- 10 Install 1 1/2" rubber slip gasket over the drain body.
- 11 Thread in shoe.
- 12 Glue shoe to tail piece.

FIGURE 6

(provided by installer)

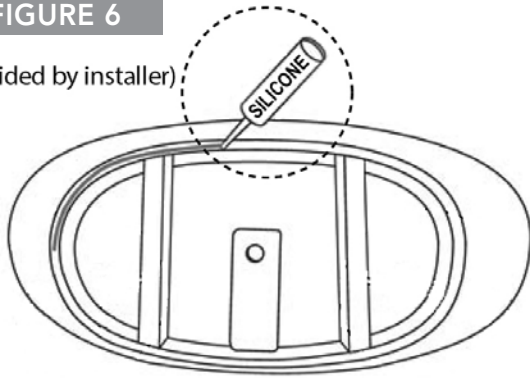


FIGURE 9

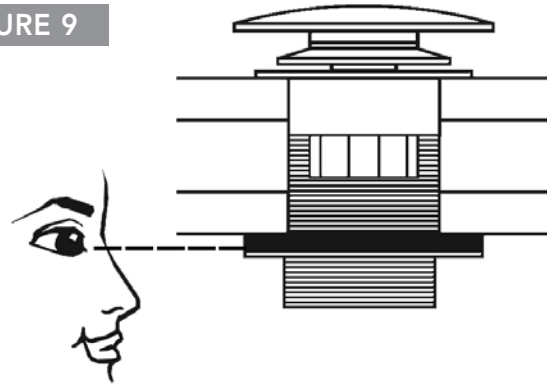


FIGURE 7

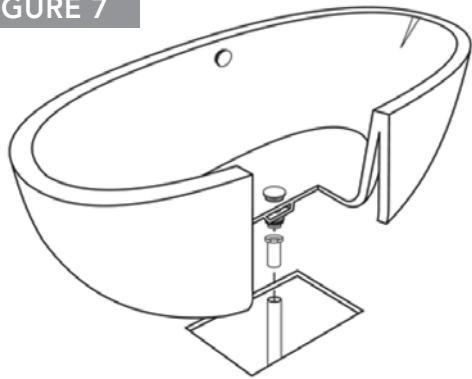
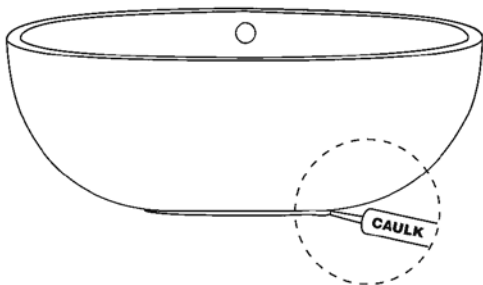


FIGURE 8



INSTALL BATHTUB

- 13 Adjust legs to a height of 1/8" max below skirt.
- 14 Apply generous bead of adhesive or silicone to the bottom of the tub supports and feet. (Figure 6).
- 15 Carefully set tub into position (Figure 7) and connect the drain hardware (previously installed).
- 16 Then apply a bead of tub and tile caulk or silicone around the edge of the base (Figure 8).

COMPLETE BATHTUB INSTALLATION

- 17 Fill tub with water to the overflow and then drain the tub while inspecting the waste connections below the floor for leaks. Access from below will be necessary for this step (Figure 9).

TOWER

A Tower can be added to any of our freestanding Bathtubs allowing you to use traditional Roman faucets.



WASTE AND OVERFLOW

The Studio Collection Freestanding tubs come with integral waste and overflow as a standard. Use care when selecting your drain kit.

SUPPLEMENTAL INSTALLATION INFORMATION

FREE STANDING TUBS

GENERAL INFORMATION

- Rough In Dimensions – For critical dimensions, we suggest taking the measurements of the actual tub on site. All printed specifications are +/- 1/2 inch and subject to change without notice.
- Base –the tub must be level

BASIC INSTALLATION PROCEDURE

- Determine final location of the tub. Tub will sit on top of finished flooring.
- Ensure location is structurally sound, flat and level.
- Align the tub in a manner that the drain lines up with the P-trap in the floor. **DO NOT LET THE TUB REST ON THE DRAIN PLUMBING.**
- Check the tub for level. It must be level end to end and side to side.
- Caulk the gap between the skirt and the floor.

FIXTURES

- Fixtures can only be mounted on tub decks of the Aubry, Breanne, Charlize, and Eveline free standing models. All other models, no fixtures can be mounted on the tub deck, floor and wall-mounted fixtures are required.
- Wall-Mounted – The position of the tub and the reach of the spout are critical. Pay special attention to the spout reach when choosing your fixtures. Be careful to ensure the spout will extend out far enough to clear the tub deck and the falling water will not hit too high up the side wall of the tub and splash.
- Floor-Mounted – Some freestanding fixtures must be anchored to the tub drain for stabilization.

THERMAL AIR

ELECTRICAL REQUIREMENTS:

WARNING: When using electrical products, basic precautions should always be followed, including the following:

DANGER: RISK OF ELECTRICAL SHOCK. Connect only to a circuit protected by a ground fault circuit interrupter. Grounding is required. All electrical connections should be made by a licensed electrician. Installation of Hydro Systems bathtubs must meet all applicable codes and regulations.

– 1 HP Blower - A dedicated 120v 20 amp GFCI protected electrical circuit is required for tubs with the standard 1 HP 120v Blower.

- Remote Mounting Blower – Due to the limited space between the inner and outer shell on all of The Studio Collection Freestanding tubs, the blower must be remote mounted. In addition to the air pipe there are two electrical connections between the tub and the blower. Both connections and the air pipe exit through the bottom end of the bath. It is always desirable to remote mount the air blower as close to the tub as possible to minimize loss of heat. Pipe insulation may be used on the inlet air line to minimize heat loss.
- It is not recommended that the blower be mounted over 8 feet away from the tub. The supplied wiring between the tub and the blower is approximately 10 feet long.
- Remote blower locations – There are several locations where the blower can be located. There must be a GFCI electrical outlet within 2 feet of the blower. The blower is approximately 9.25 inches long and 8 inches in diameter and 5" high. Substantial ventilation is required to keep the blower from overheating and to supply the large volume of air being sent to the tub. Never wrap insulation around the blower as this will cause the equipment to fail. The best location is directly below the tub in the floor joists. This location keeps the distance short and offers easy access from below. If the room below has a finished ceiling, there are many fixtures such as HVAC return that can be used to camouflage the access panel in the ceiling. Other possible locations include an adjacent closet, vanity or a same level attic. Every home is different and there may be other desirable locations. Keep in mind that the blower must be accessible for any future servicing.
- Remote Blower Kit – If the blower is not mounted directly adjacent to the tub, a remote blower kit will be required. The kit consists of: extension pipe, couplings and cable. This kit is available with the tub at no additional charge upon request. Please indicate the necessary length of pipe and cable required.

LIMITED WARRANTY

This limited warranty is extended to the first user or the original retail purchaser for a period of sixty (60) months from purchase on shell and 1 year on air channel, electronics and plumbing. This limited warranty is not enforceable by any other party. HYDRO SYSTEMS, INC. warrants that the system and/or bathtub is free from defects in the workmanship and/or materials. This limited warranty does not include any other items not manufactured by HYDRO SYSTEMS, INC. HYDRO SYSTEMS, INC. does not assume liability for the finish or the wearing quality of any plate product. No dealer or other person has any authority to make any warranties or representations concerning HYDRO SYSTEMS, INC. or its products. Accordingly, HYDRO SYSTEMS, INC. is not responsible for any such warranties or representations. THERE ARE NO WARRANTIES.