

**PVC SYSTEMS INCLUDE:**

- 6 Fully directional adjustable flow PVC jets
- Anti-vortex safety suction
- Color matched system trim
- HydroOzone ozone sanitation system
- Rigid PVC piping
- Self draining pump and system
- Soft Touch electronic on/off control with 30-minute integral times
- 2.25 HP single speed pump
- Cable waste and overflow



Standard Grab Bar



Linear Integral Waste and Overflow



Chromatherapy-LED Lighting System

**OPTIONS:** ([MORE INFORMATION AVAILABLE ON OUR WEBSITE](#))

- Additional Jets
  - Directional or Swirling
- Back Masseur Systems
- Chromatherapy-LED Lighting System
- Custom Jet and Pump Location
- Electronic Low Water Protection
- Extra High Density
- Grab Bars
  - Standard or Universal
- Hydro Coat
- Hydro Express Quick Ship
- Hydro Fusion
- Hydro Indulge
- HydrOzone UV System
- In-line Heater
- Integral Waste and Overflow
  - Round or Linear
- Jumbo Jets
  - Directional or Rotating
- Micro Mount
- Micro Therapy Jets
- Skirt (1-3 sided)
- Tile Flanges (1-2 sided)

**STANDARD ELECTRICAL REQUIREMENTS:**

- Whirlpool System | One 20 Amp Dedicated Circuit
- Thermal Air System | One 15 Amp Dedicated Circuit
- Combo System | One 15 Amp Dedicated Circuit and One 20 Amp Dedicated Circuit
- Indulge System | One 15 Amp Dedicated Circuit
- Hydro Fusion (600 or 1500 Watts) | One 15 Amp Dedicated Circuit
- Inline Heater (600 or 1500 Watts) | One 15 Amp Dedicated Circuit

*\*All electrical components come standard at 115 volts\**

*\*All electrical circuits must be GFCI protected\**



**As SHOWN:**

Whirlpool option with standard jet location

**FEATURES SHOWN:**

- Jets
- Overflow location

**ALSO AVAILABLE:**

- Soaking tub only
- Thermal Air
- Combo

**WATER CAPACITY:**

65 Gallons

**BACK SLOPE:**

34 Degrees

**WEIGHT:**

120 - 140 Pounds

**DROP-IN CUTOUT INSTALLATION DIMENSIONS:**

(L)ength - 57"

(W)idth - 20"

Ledger- 20-1/4"

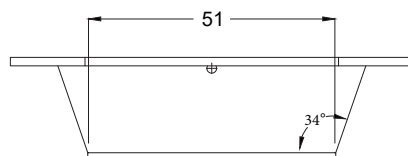
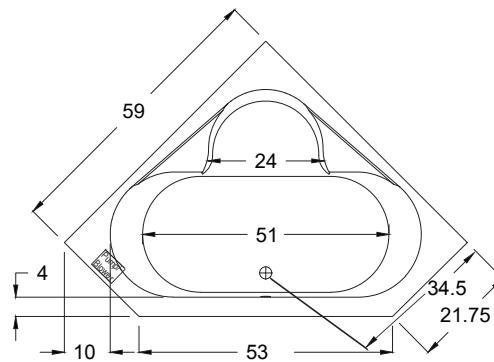
**INSTALLATION TIPS:**

- When adding integral linear drain p-trap location is now below waste
- Adding multiple systems/options may require equipment to stick out from tub deck or be installed remotely



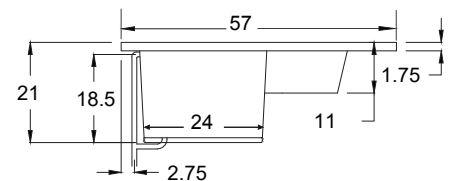
**ACRYLIC TUB**

- Model comes with integral tile flange and skirt
- Extra thick reinforced fiberglass
- Pre-wired pump on pump platform (standard pump location only)
- Integral E-Z level platform facilitates installation
- Tub must be set in a mortar base



**Optional Equipment Dimensions**

- Whirlpool Pump: 12"(H) x 16"(L)
- Thermal Air Blower: 5"(H) x 11"(L)



**CODES AND COMPLIANCES**

Massachusetts code File no: P1-0614-491

