



Riley

The Riley is classic comfort and style. With soft edges repeating, the oval-shaped design is emphasized in the very comfortable armrests and contoured backrests with molded built-in lumbar support.

Available Sizes:

60"L x 42"W x 20"D
80 Gallons

66"L x 42"W x 20½"D
85 Gallons

72"L x 42"W x 20½"D
90 Gallons



Acrylic Tub – construction features

Acrylic models finished in 1/8" thick layer of deep lustrous acrylic.

Extra thick reinforced fiberglass.

Pre-wired pump on pump platform (standard pump location only)

Integral E-Z Level platform facilitates installation.

Non-skid bottom.

PVC Systems – include:

6 Fully directional adjustable PVC jets

Anti-vortex safety suction.

Color matched system trim

Hydrozone ozone sanitation system

Rigid PVC piping

Self draining pump and system

Soft Touch electronic on/off control with 30-min. integral timer

2.25 HP Single Speed Pump

Cable waste & overflow

Hydro Systems – Options:

Available as Tub only, Thermal Air, Whirlpool or Combo

Microban Antibacterial Protection

Extra High Density Fiberglass

Waterfall Fill Spout (recirculating option available)

Custom jet and pump locations

Plated Metallic finish

Additional directional Jets

Swirling, Rotating, or Jumbo Jets

Micro Therapy Jet

Integral Waste & Overflow

1.5 HP Variable Speed Pump (digital temperature display optional)

Electronic low water protection

In-line Heater

Chromatherapy-LED Lighting System

Chromatherapy-LED Mini Spotlights

Mood Light

Grab Bars

Back Masseuse

Neck Masseuse Pillow

Hydro Fusion

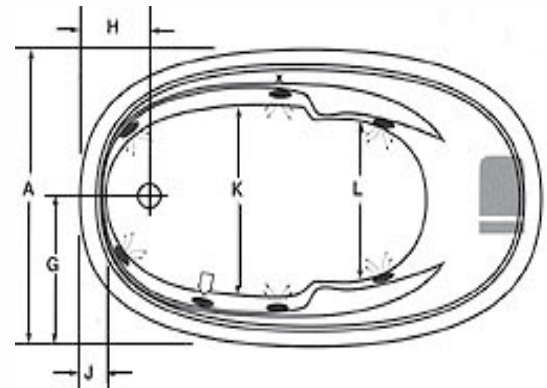
Hydro Coat





Hydro Express quick ship

Approvals & Listings

Commonwealth of Massachusetts
UPC & USPC - US & Canada



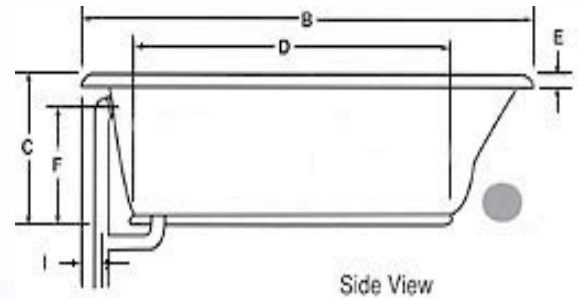


-  Pump motor
-  Jets
-  Anti-vortex suction
-  Overflow location

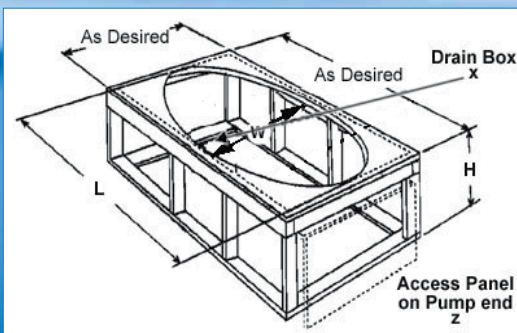


AS SHOWN:
Whirlpool option w/ standard jets

ALSO AVAILABLE:
Soaking Tub Only, Whirlpool,
Thermal Air, Combo



Model	GC	AC	A	B	C	D	E	F	G	H	I	J	K	L	Jet	Pump	Wat.Cap.
6042	N/A		41½"	60"	20"	39"	1¾"	17½"	20¾"	11"	3"	4½"	26"	22"	6	2.25	80 gal.
6642	N/A		41½"	66"	20½"	44½"	1¾"	18"	20¾"	11"	3"	4½"	26"	22"	6	2.25	85 gal.
7242	N/A		41½"	72"	20½"	50"	1¾"	18"	20¾"	11"	3"	4½"	26"	22"	6	2.25	90 gal.
Amp	Volt	Breaker		Dedicated Service													
13.5	120	20 amp		GFCI Protected													



Island Drop-In			
Model	(L)ength	(W)idth	(H)eight Finish
6042	58"	40"	19¼"
6642	64"	40"	19¾"
7242	70"	40"	19¾"

*Disclaimer: Certain options or altering the pump/blower location may cause the pump/blower to extend beyond the tub decking.
 For cutout dimensions wait for unit to arrive.
 All specifications subject to change without notice.*