

# REGAN 6036

STUDIO COLLECTION

# H | S

## PVC SYSTEMS INCLUDE:

- 6 Fully directional adjustable PVC jets
- Anti-vortex safety suction
- Color matched system trim
- Rigid PVC piping
- Self draining pump and system
- Air switch control
- 1.25 HP single speed pump
- Requires 120 V 15 Amp Dedicated GFCI



## OPTIONS: [\(MORE INFORMATION AVAILABLE ON OUR WEBSITE\)](#)

- Custom jet and pump locations
- Integral waste and overflow (circular)
- In-line heater
- Hydro Coat
- Hydro Express quick ship
- Cable Waste and Overflow
- Hydrozone

## STANDARD ELECTRICAL REQUIREMENTS:

- Whirlpool System | One 20 Amp Dedicated Circuit
- Thermal Air System | One 15 Amp Dedicated Circuit
- Inline Heater (600 or 1500 Watts) | One 15 Amp Dedicated Circuit

*\*All electrical components come standard at 115 volts\**

*\*All electrical circuits must be GFCI protected\**



# REGAN 6036

STUDIO COLLECTION

# H | S

**As SHOWN:**

Whirlpool option with standard jet location

**FEATURES SHOWN:**

- Jets
- Overflow location
- Flange on Skirt

**ALSO AVAILABLE:**

- Soaking tub only
- Thermal Air

**WATER CAPACITY:**

50 Gallons

**BACK SLOPE:**

29 Degrees

**WEIGHT:**

85 - 105 Pounds

**3-WALL INSTALLATION DIMENSIONS:**

Opening (L)ength - 60"

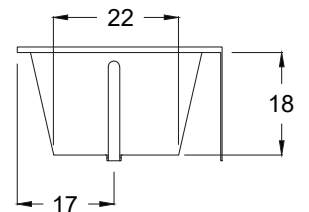
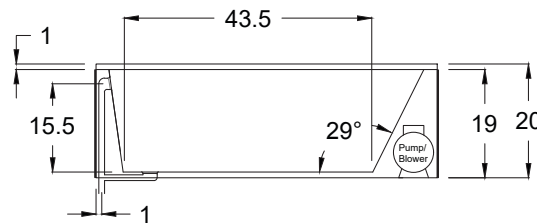
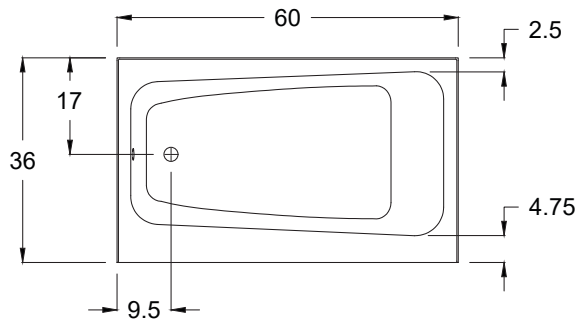
Opening (W)idth - 36"

Ledger- 19"



**ACRYLIC TUB**

- Model comes with integral tile flange and skirt
- Extra thick reinforced fiberglass
- Pre-wired pump on pump platform (standard pump location only)
- Integral E-Z level platform facilitates installation
- Tub must be set in a mortar base



**CODES AND COMPLIANCES**

Massachusetts code File no: P1-0614-491



**HYDRO SYSTEMS**  
Family Owned And Operated Since 1978

29132 Avenue Paine, Valencia, CA, 91355  
661.775.0686 | hydrosystem.com



All specifications and options subject to change without notice please contact a Hydro Systems representative for more information. Certain options or altering the pump/blower location may cause the pump/blower to extend beyond the tub decking. For cutout dimensions wait for unit to arrive. All specifications subject to change without notice.