

OPAL

STON COLLECTION

H | S

AVAILABLE SIZES

- 63.33.23

WATER CAPACITY

- 70 Gallons

WEIGHT

- 165 Pounds

BACK SLOPE

- 35°

MATERIAL

- Hydroluxe SS

STANDARD COLORS

- White, Almond, Biscuit

PREMIUM COLORS

- Black, Blue, Carbon, Gray, Espresso, Lime Green, Olive, Pink, Red, Royal Blue, Sky Blue, Violet, Yellow

FINISH

- Matte, Polished, Two-Tone

WARRANTY

- 10 years

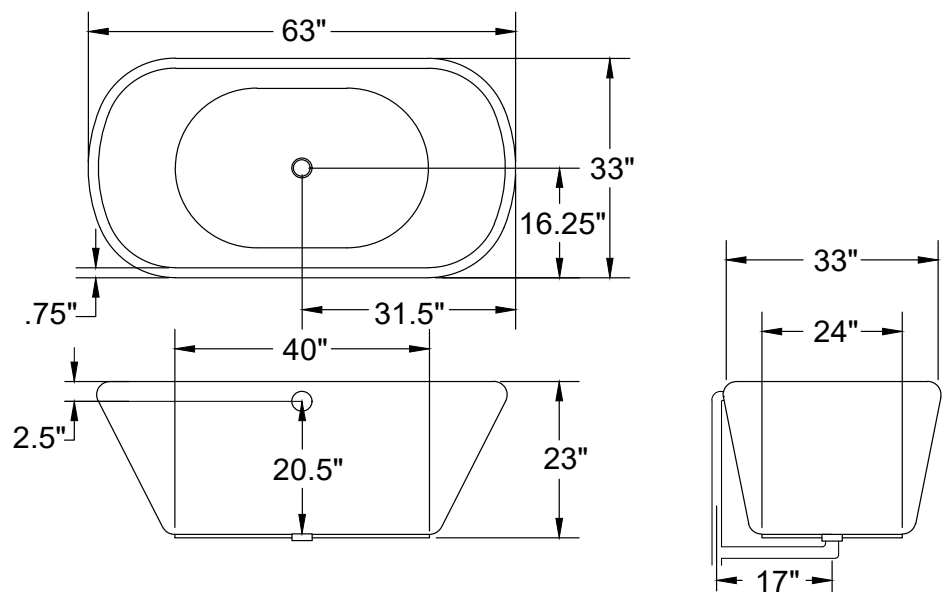


OPTIONS (more information available on our website)

- Hydro Coat
- Padded Headrest Pillow
- Tower

INSTALLATION VIDEO AVAILABLE ON WEBSITE:

WWW.HYDROSYSTEM.COM/TECHNICAL-INFORMATION/VIDEOS/



CODES AND COMPLIANCES

Massachusetts code File no: P1-0614-491



HYDRO SYSTEMS
Family Owned And Operated Since 1978

29132 Avenue Paine, Valencia, CA, 91355
661.775.0686 | hydrosystem.com

All specifications and options subject to change without notice please contact a hydro systems representative for more information.