

**PVC SYSTEMS INCLUDE:**

- 8 Fully directional adjustable flow PVC jets
- Anti-vortex safety suction
- Color matched system trim
- HydroOzone ozone sanitation system
- Rigid PVC piping
- Self draining pump and system
- Soft Touch electronic on/off control with 30-minute integral times
- 2.25 HP single speed pump
- Cable waste and overflow



Standard Grab Bar



Linear Integral Waste and Overflow



Chromatherapy-LED Lighting System

**OPTIONS:** [\(MORE INFORMATION AVAILABLE ON OUR WEBSITE\)](#)

- Additional Jets
  - Directional or Swirling
- Back Masseur Systems
- Chromatherapy-LED Lighting System
- Custom Jet and Pump Location
- Electronic Low Water Protection
- Extra High Density
- Grab Bars
  - Standard or Universal
- Hydro Coat
- Hydro Express Quick Ship
- Hydro Fusion
- Hydro Indulge
- HydrOzone UV System
- In-line Heater
- Integral Waste and Overflow
  - Round or Linear
- Jumbo Jets
  - Directional or Rotating
- Micro Mount
- Micro Therapy Jets
- Molded Armrests
- Neck Masseur Pillow

**STANDARD ELECTRICAL REQUIREMENTS:**

- Whirlpool System | One 20 Amp Dedicated Circuit
- Thermal Air System | One 15 Amp Dedicated Circuit
- Combo System | One 15 Amp Dedicated Circuit and One 20 Amp Dedicated Circuit
- Indulge System | One 15 Amp Dedicated Circuit
- Hydro Fusion (600 or 1500 Watts) | One 15 Amp Dedicated Circuit
- In-line Heater (600 or 1500 Watts) | One 15 Amp Dedicated Circuit

*\*All electrical components come standard at 115 volts\**

*\*All electrical circuits must be GFCI protected\**

# MARISSA

## DESIGNER COLLECTION



**As SHOWN:**  
Whirlpool option

- FEATURES SHOWN:**
- Overflow location
  - Standard jet location

- ALSO AVAILABLE:**
- Soaking tub only
  - Thermal Air
  - Combo

**BACKSLOPE:**  
30 degrees

**WATER CAPACITY:**  
110 Gallons

**WEIGHT:**  
105 -145 Pounds depending on system

- DROP-IN INSTALLATION DIMENSIONS:**
- (L)ength- 70"
  - (W)idth- 40"
  - (H)eight- 25-1/4"

- INSTALLATION TIPS:**
- When adding integral linear drain p-trap location is now below waste
  - Adding multiple systems/options may require equipment to stick out from tub deck or be installed remotely

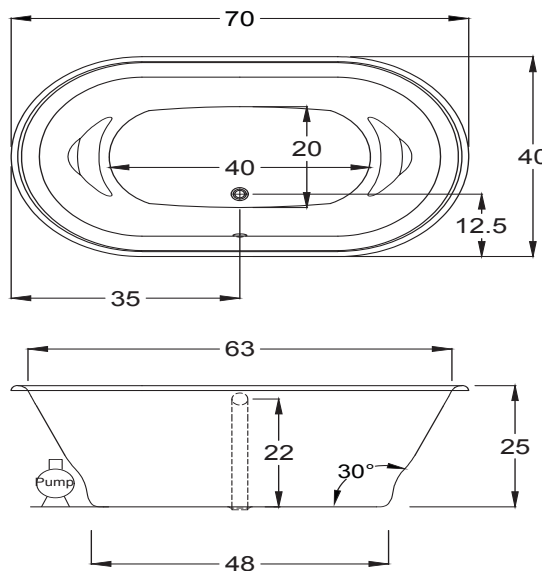
**CODES AND COMPLIANCES**  
Massachusetts code File no: P1-0614-491



\*Tub must be set in mortar base\*

**ACRYLIC TUB**

- Acrylic models finished in 1/8" thick layer of deep lustrous acrylic
- Pre-wired pump on pump platform (standard pump location only)
- Integral E-Z level platform facilitates installation
- Micro mount reduces lip height by approximately 3/8" to 5/8"
- Micro mount requires increase in framing height by an additional 1-1/4"



**Optional Equipment Dimensions**

- Whirlpool Pump: 12" (H) x 16" (L)
- Thermal Air Blower: 5" (H) x 11" (L)
- Hydro Fusion: 7" (H) x 15.5" (L)
- Hydro Indulge: 11" (H) x 19" (L)

