

MARLIE 6036

DESIGNER COLLECTION

H | S

PVC SYSTEMS INCLUDE:

- 6 Fully directional adjustable PVC jets
- Anti-vortex safety suction
- Color matched system trim
- HydroOzone ozone sanitation system
- Rigid PVC piping
- Self draining pump and system
- Soft Touch electronic on/off control with 30-minute integral times
- 2.25 HP single speed pump
- Cable waste and overflow
- Requires 20 Amp Dedicated GFCI



Crafted from the popular Lacey line, the Marlie provides all of the embellishments of the Lacey with the added feature of a hidden drain. This popular Zen feature keeps the clean lies flowing throughout the entire bathing well. Visit <http://www.hydrosystem.com> for more details on our options and accessories.



OPTIONS

- * Colonial Grab Bars
- * Linear Integral Waste and Overflow
- * Chromatherapy-LED Lighting System
- Microban Antibacterial Protection
- Extra high density fiberglass
- Custom jet and pump locations
- Armrests available
- Flange molded
- Skirt
- Plated Metallic finish
- Additional directional Jets
- Swirling, Rotating, or Jumbo Jets
- Micro Therapy Jet
- Integral Waste and Overflow (circular)
- 1.5 HP Variable Speed Pump (digital temperature display optional)
- Electronic low water protection
- In-line heater
- Back Masseur
- Neck Masseur Pillow
- Hydro Fusion
- Hydro Coat
- Hydro Express quick ship



HYDRO SYSTEMS
Family Owned And Operated Since 1978

29132 Avenue Paine, Valencia, CA, 91355
661.775.0686 | hydrosystem.com

* Indicates options that are shown (listed in order from top to bottom/ left to right)

MARLIE 6036

DESIGNER COLLECTION

H | S

As SHOWN:

Whirlpool option with standard jets

FEATURES SHOWN:

- Jets
- Overflow location

ALSO AVAILABLE:

- Soaking tub only
- Thermal Air
 - Approximately 65 Injectors
- Combo

SIZE:

60.36.20

WATER CAPACITY:

65 Gallons

WEIGHT:

70 - 105 Pounds

3-WALL INSTALLATION DIMENSIONS:

- (L)ength- 60"
- (W)idth- 36"
- Ledger - 20.25"

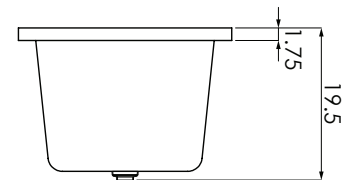
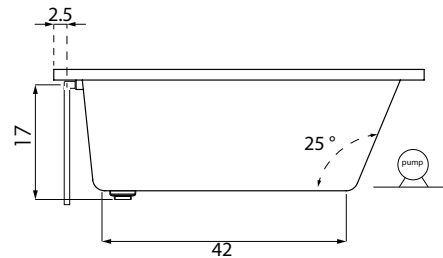
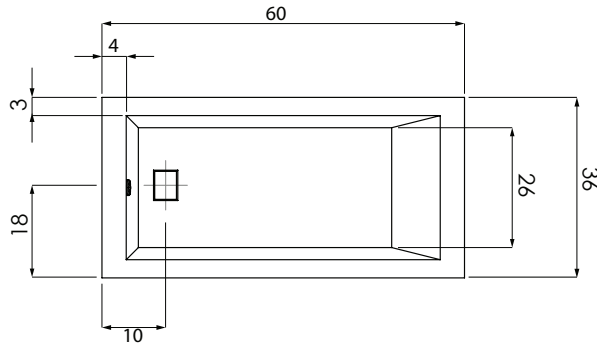
DROP-IN INSTALLATION DIMENSIONS:

- (L)ength- 58"
- (W)idth- 34"
- Ledger- 18.75"



ACRYLIC TUB

- Acrylic models finished in 1/8" thick layer of deep lustrous acrylic
- Extra thick reinforced fiberglass
- Pre-wired pump on pump platform (standard pump location only)
- Integral E-Z level platform facilitates installation
- Tub must be set in mortar base
- When adding linear option, p-trap is located directly below waste



CODES AND COMPLIANCES

Massachusetts code File no: P1-0614-491



HYDRO SYSTEMS
Family Owned And Operated Since 1978

29132 Avenue Paine. Valencia, CA, 91355
661.775.0686 | hydrosystem.com

All specifications and options subject to change without notice please contact a Hydro Systems representative for more information. Certain options or altering the pump/blower location may cause the pump/blower to extend beyond the tub decking. For cutout dimensions wait for unit to arrive. All specifications subject to change without notice.