

LUCY 7236

DESIGNER COLLECTION

H | S



Standard Grab Bar



Linear Integral Waste and Overflow



Chromatherapy-LED Lighting System

OPTIONS: ([MORE INFORMATION AVAILABLE ON OUR WEBSITE](#))

- Chromatherapy-LED Lighting System
- Extra High Density
- Grab Bars
 - Standard or Universal
- Hydro Blanket
- Hydro Coat
- Hydro Express Quick Ship
- Island Tub Drain
- Integral Waste and Overflow
 - Circular or Linear
- Molded Armrests
- Padded Headrest Pillow

STANDARD ELECTRICAL REQUIREMENTS:

- Thermal Air System | One 15 Amp Dedicated Circuit

All electrical components come standard at 115 volts

All electrical circuits must be GFCI protected

HYDRO SYSTEMS
Family Owned And Operated Since 1978

29132 Avenue Paine, Valencia, CA, 91355
661.775.0686 | hydrosystem.com



MADE IN AMERICA

LUCY 7236

DESIGNER COLLECTION

H | S

As SHOWN:

Tub only

FEATURES SHOWN:

- Overflow location

ALSO AVAILABLE:

- Thermal Air

WATER CAPACITY:

90 Gallons

WEIGHT:

160 -180 Pounds depending on system

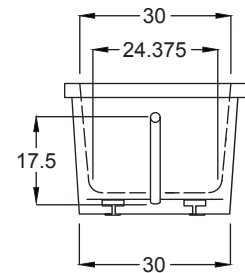
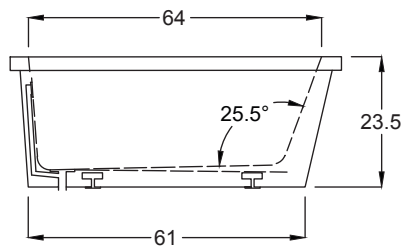
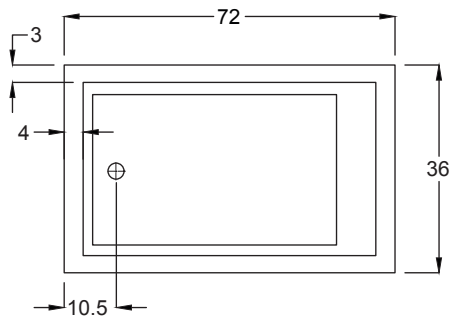
MODEL DIMENSIONS:

- (L)ength- 72"
- (W)idth- 36"
- (H)eight- 23-1/2"



ACRYLIC TUB

- Acrylic models finished in 1/8" thick layer of deep lustrous acrylic
- Integral E-Z level platform facilitates installation
- Extra thick reinforced fiberglass



CODES AND COMPLIANCES

Massachusetts code File no: P1-0614-491



HYDRO SYSTEMS
Family Owned And Operated Since 1978

29132 Avenue Paine, Valencia, CA, 91355
661.775.0686 | hydrosystem.com



All specifications and options subject to change without notice please contact a Hydro Systems representative for more information. Certain options or altering the pump/blower location may cause the pump/blower to extend beyond the tub decking. For cutout dimensions wait for unit to arrive. All specifications subject to change without notice.