

LUCY 6636

DESIGNER COLLECTION

H | S



Standard Grab Bar



Linear Integral Waste and Overflow



Chromatherapy-LED Lighting System

OPTIONS: ([MORE INFORMATION AVAILABLE ON OUR WEBSITE](#))

- Chromatherapy-LED Lighting System
- Extra High Density
- Grab Bars
 - Standard or Universal
- Hydro Blanket
- Hydro Coat
- Hydro Express Quick Ship
- Island Tub Drain
- Integral Waste and Overflow
 - Circular or Linear
- Molded Armrests
- Padded Headrest Pillow

STANDARD ELECTRICAL REQUIREMENTS:

- Thermal Air System | One 15 Amp Dedicated Circuit

All electrical components come standard at 115 volts

All electrical circuits must be GFCI protected



LUCY 6636

DESIGNER COLLECTION

H | S

As SHOWN:

Tub only

FEATURES SHOWN:

- Overflow location

ALSO AVAILABLE:

- Thermal Air

WATER CAPACITY:

75 Gallons

WEIGHT:

150 -170 Pounds depending on system

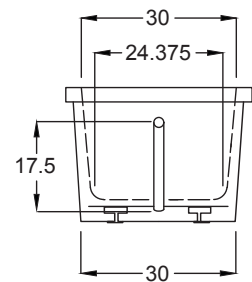
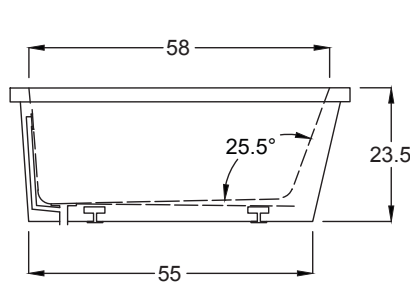
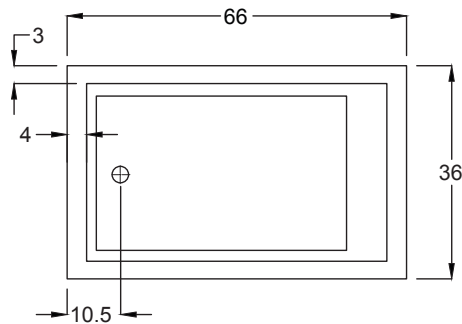
MODEL DIMENSIONS:

- (L)ength- 66"
- (W)idth- 36"
- (H)eight- 23-1/2"



ACRYLIC TUB

- Acrylic models finished in 1/8" thick layer of deep lustrous acrylic
- Integral E-Z level platform facilitates installation
- Extra thick reinforced fiberglass



CODES AND COMPLIANCES

Massachusetts code File no: P1-0614-491



HYDRO SYSTEMS
Family Owned And Operated Since 1978

29132 Avenue Paine, Valencia, CA, 91355
661.775.0686 | hydrosystem.com



Page 2 of 2 **MADE IN AMERICA**

All specifications and options subject to change without notice please contact a Hydro Systems representative for more information. Certain options or altering the pump/blower location may cause the pump/blower to extend beyond the tub decking. For cutout dimensions wait for unit to arrive. All specifications subject to change without notice.