

LINDSEY 6632

STUDIO COLLECTION

H | S

PVC SYSTEMS INCLUDE:

- 6 Fully directional adjustable PVC jets
- Anti-vortex safety suction
- Color matched system trim
- Rigid PVC piping
- Self draining pump and system
- Air switch control
- 1.25 HP single speed pump
- Requires 120 V 15 Amp Dedicated GFCI



Classic style and deep bathing put the Lindsey in a class of its own. Available in most common sizes, the Lindsey affords clean lines and elegance in almost any design category. Visit <http://www.hydrosystem.com> for more details on our options and accessories.



OPTIONS

- *Integral waste and overflow (linear)
- Custom jet and pump locations
- Integral waste and overflow (circular)
- In-line heater
- Hydro Coat
- Hydro Express quick ship

LINDSEY 6632

STUDIO COLLECTION

H | S

As SHOWN:

Whirlpool option with standard jet location

FEATURES SHOWN:

- Jets
- Overflow location

ALSO AVAILABLE:

- Soaking tub only
- Whirlpool
- Thermal Air
 - Approx 62 injections



WATER CAPACITY:

70 Gallons

WEIGHT:

60 - 100 Pounds

DROP-IN INSTALLATION DIMENSIONS:

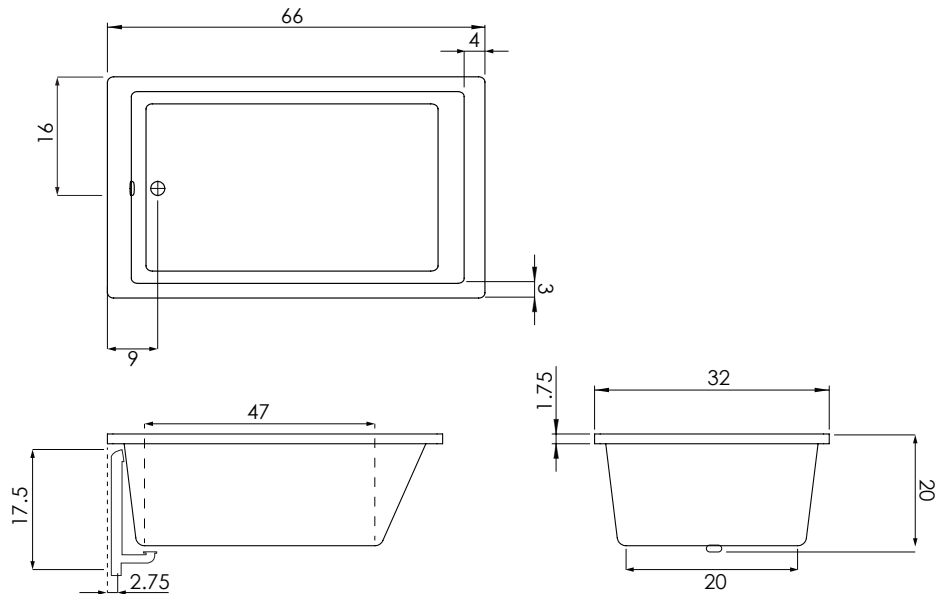
- (L)ength- 64"
- (W)idth- 30"
- (H)eight- 19.25"

3-WALL INSTALLATION DIMENSIONS:

- (L)ength- 66"
- (W)idth- 32"
- Ledger-19.75"

ACRYLIC TUB

- Extra thick reinforced fiberglass
- Pre-wired pump on pump platform (standard pump location only)
- Integral E-Z level platform facilitates installation
- Tub must be set in mortar base
- When adding linear option, p-trap is located directly below waste



CODES AND COMPLIANCES

Massachusetts code File no: P1-0614-491



HYDRO SYSTEMS
Family Owned And Operated Since 1978

29132 Avenue Paine, Valencia, CA, 91355
661.775.0686 | hydrosystem.com