

LIBERTY

METRO COLLECTION



AVAILABLE SIZES

- 63.32.24

WATER CAPACITY

- 90 Gallons

WEIGHT

- 250 Pounds

BACK SLOPE

- 27°

MATERIAL

- HYDROLUXE SS™

STANDARD COLORS

- White, Almond, Biscuit

PREMIUM COLORS

- Black, Blue, Carbon, Espresso Gray, Lime Green, Olive, Pink, Red, Royal Blue, Sky Blue, Violet, Yellow

FINISH

- Matte, Polished, Two-Tone

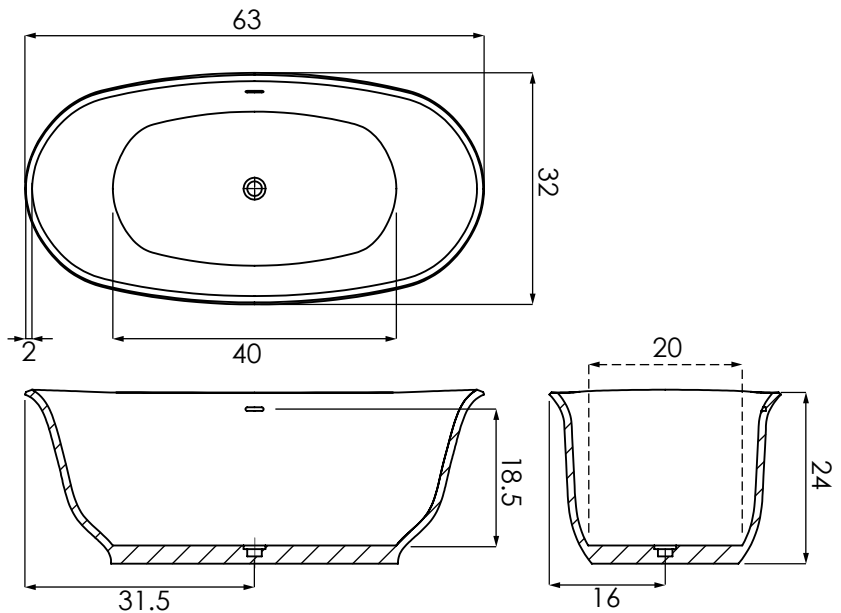
WARRANTY

- 10 years



OPTIONS

- Thermal Air System
 - Blower and Control Panel must be remotely located
 - Electrical Requirements One 15 AMP dedicated GFCI
- Remote Control for Air System
- Tower



CODES AND COMPLIANCES

Massachusetts code File no: P1-0614-491



HYDRO SYSTEMS
Family Owned And Operated Since 1978

29132 Avenue Paine, Valencia, CA, 91355
661.775.0686 | hydrosystem.com

All specifications and options subject to change without notice please contact a hydro systems representative for more information.