

ISABELLA 6036

DESIGNER COLLECTION

H | S

PVC SYSTEMS INCLUDE:

- 6 Fully directional adjustable PVC jets
- Anti-vortex safety suction
- Color matched system trim
- HydroOzone ozone sanitation system
- Rigid PVC piping
- Self draining pump and system
- Soft Touch electronic on/off control with 30-minute integral times
- 2.25 HP single speed pump
- Cable waste and overflow
- Requires 20 Amp Dedicated GFCI



The Isabella is a tub that has it all: ample bathing space with arm rests, and soap dishes on both sides. Add to these features the gentle slope of the backrest and the Isabella has it all. Visit <http://www.hydrosystem.com> for more details on our options and accessories. ***Model shown is 6636. The 6036 model does NOT come with a no drip option***



OPTIONS

- * Colonial Grab Bars
- *Linear Integral Waste and Overflow
- *Chromatherapy-LED Lighting System
- Microban Antibacterial Protection
- Extra high density fiberglass
- Custom jet and pump locations
- Flange molded
- Skirt
- Plated Metallic finish
- Additional Jets
- Micro Therapy Jet
- Integral Waste and Overflow (circular)
- Electronic low water protection
- In-line heater
- Back Masseur
- Neck Masseur Pillow
- Hydro Fusion
- Hydro Coat
- Hydro Express quick ship



HYDRO SYSTEMS
Family Owned And Operated Since 1978

29132 Avenue Paine, Valencia, CA, 91355
661.775.0686 | hydrosystem.com

* Indicates options that are shown (listed in order from top to bottom/ left to right)

ISABELLA 6036

H | S

DESIGNER COLLECTION

As SHOWN:

Whirlpool option with standard jet placement

FEATURES SHOWN:

- Jets
- Overflow location

ALSO AVAILABLE:

- Soaking tub only
- Whirlpool
- Thermal Air
- Combo

SIZE:

60.36.18

WATER CAPACITY:

60 Gallons

WEIGHT:

65-105 Pounds

DROP-IN CUT OUT DIMENSIONS:

- (L)ength- 58"
- (W)idth- 34"
- (H)eight Finish- 17.25"

3-WALL DIMENSIONS:

- (L)ength- 60"
- (W)idth- 36"
- (H)eight Finish- 18.75"

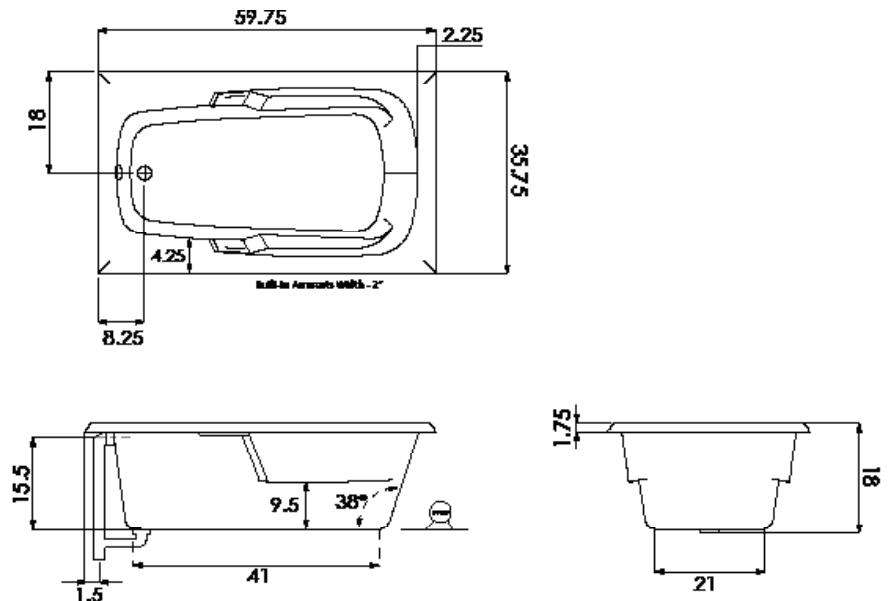
CODES AND COMPLIANCES

Massachusetts code File no: P1-0614-491



ACRYLIC TUB

- Acrylic models finished in 1/8" thick layer of deep lustrous acrylic
- Extra thick reinforced fiberglass
- Pre-wired pump on pump platform (standard pump location only)
- Integral E-Z level platform facilitates installation
- When adding the linear option, locate p-trap below waste
- Tub must be set in mortar base



HYDRO SYSTEMS
Family Owned And Operated Since 1978

29132 Avenue Paine, Valencia, CA, 91355
661.775.0686 | hydrosystem.com

All specifications and options subject to change without notice please contact a Hydro Systems representative for more information. Certain options or altering the pump/blower location may cause the pump/blower to extend beyond the tub decking. For cutout dimensions wait for unit to arrive. All specifications subject to change without notice.