

# FUJI 6040-26

DESIGNER COLLECTION

H | S

## PVC SYSTEMS INCLUDE:

- 8 Fully directional adjustable PVC jets
- Anti-vortex safety suction
- Color matched system trim
- HydroOzone ozone sanitation system
- Rigid PVC piping
- Self draining pump and system
- Soft Touch electronic on/off control with 30-minute integral times
- 2.25 HP single speed pump
- Cable waste and overflow
- Requires 120Volt 20 Amp Dedicated GFCI



The Fuji 4040 is a great retreat for one person with its round bathing well, seat and square deck. Visit <http://www.hydrosystem.com> for more details on our options and accessories.



## OPTIONS

- \*Grab Bars
- \*Integral waste and overflow (linear)
- \*Chromatherapy-LED Lighting System
- Chromatherapy-LED Mini Spotlights
- Microban Antibacterial Protection
- Extra high density fiberglass
- Custom jet and pump locations
- Armrests available
- Plated Metallic finish
- Additional directional Jets
- Swirling, Rotating, or Jumbo Jets
- Micro Therapy Jet
- Micro Edge
- Integral waste and overflow (circular)
- 1.5 HP Variable Speed Pump (digital temperature display optional)
- Electronic low water protection
- In-line heater
- Mood Light
- Back Masseur
- Neck Masseur Pillow
- Hydro Fragrance
- Hydro Fusion
- Hydro Coat
- Hydro Express quick ship

HYDRO SYSTEMS  
Family Owned And Operated Since 1978

29132 Avenue Paine, Valencia, CA, 91355  
661.775.0686 | [hydrosystem.com](http://hydrosystem.com)

\* Indicates options that are shown (listed in order from top to bottom/ left to right)

# FUJI 6040-26

# H|S

DESIGNER COLLECTION

**AS SHOWN:**

Whirlpool option with standard jet location

**FEATURES SHOWN:**

- Jets
- Overflow location

**ALSO AVAILABLE:**

- Soaking tub only
- Whirlpool
- Thermal Air
- Combo

**SIZE:**

60.40.26

**WATER CAPACITY:**

75 Gallons

**WEIGHT:**

85 - 115 Pounds

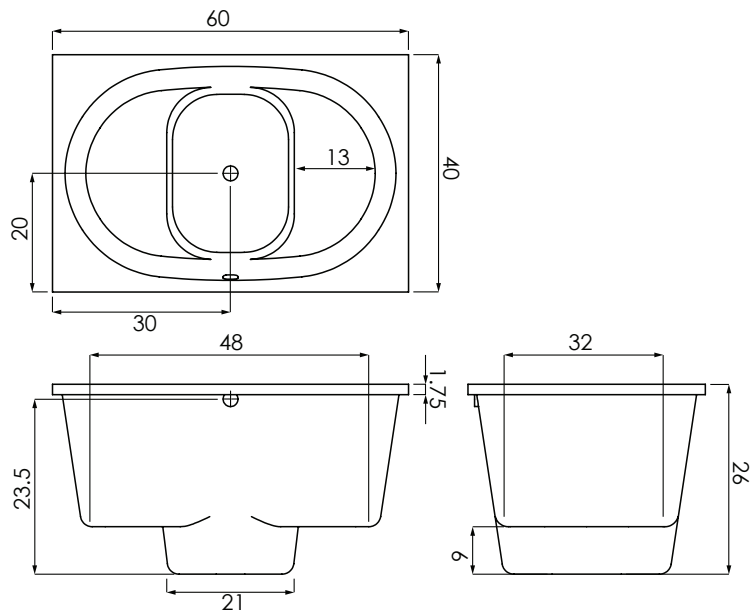
**MODEL 4040 DIMENSIONS:**

- (L)ength- 60"
- (W)idth- 40"
- (H)eight Finish- 26"



**ACRYLIC TUB**

- Acrylic models finished in 1/8" thick layer of deep lustrous acrylic
- Extra thick reinforced fiberglass
- Pre-wired pump on pump platform (standard pump location only)
- Integral E-Z level platform facilitates installation
- Tub must be set in a mortar base



**CODES AND COMPLIANCES**

Massachusetts code File no: P1-0614-491



**HYDRO SYSTEMS**  
Family Owned And Operated Since 1978

29132 Avenue Paine, Valencia, CA, 91355  
661.775.0686 | hydrosystem.com

All specifications and options subject to change without notice please contact a Hydro Systems representative for more information. Certain options or altering the pump/blower location may cause the pump/blower to extend beyond the tub decking. For cutout dimensions wait for unit to arrive. All specifications subject to change without notice.