

# ELLE 7236

DESIGNER COLLECTION

# H | S

## PVC SYSTEMS INCLUDE:

- 6 Fully directional adjustable flow PVC jets
- Anti-vortex safety suction
- Color matched system trim
- HydroOzone ozone sanitation system
- Rigid PVC piping
- Self draining pump and system
- Soft Touch electronic on/off control with 30-minute integral times
- 2.25 HP single speed pump
- Cable waste and overflow



Standard Grab Bar



Linear Integral Waste and Overflow



Chromatherapy-LED Lighting System

## OPTIONS: [\(MORE INFORMATION AVAILABLE ON OUR WEBSITE\)](#)

- Additional Jets
  - Directional or Swirling
- Back Masseur Systems
- Chromotherapy-LED Lighting System
- Custom Jet and Pump Location
- Electronic Low Water Protection
- Extra High Density
- Faucet Deck
- Grab Bars
  - Standard or Universal
- Hydro Coat
- Hydro Express Quick Ship
- Hydro Fusion
- Hydro Indulge
- HydroOzone UV System
- In-line Heater
- Integral Waste and Overflow
  - Round or Linear
- Jumbo Jets
  - Directional or Rotating
- Micro Mount
- Micro Therapy Jets
- Molded Armrests
- Neck Masseur Pillow

## STANDARD ELECTRICAL REQUIREMENTS:

- Whirlpool System | One 20 Amp Dedicated Circuit
- Thermal Air System | One 15 Amp Dedicated Circuit
- Combo System | One 15 Amp Dedicated Circuit and One 20 Amp Dedicated Circuit
- Indulge System | One 15 Amp Dedicated Circuit
- Hydro Fusion (600 or 1500 Watts) | One 15 Amp Dedicated Circuit
- In-line Heater (600 or 1500 Watts) | One 15 Amp Dedicated Circuit

*\*All electrical components come standard at 115 volts\**

*\*All electrical circuits must be GFCI protected\**

**HYDRO SYSTEMS**  
Family Owned And Operated Since 1978

29132 Avenue Paine, Valencia, CA, 91355  
661.775.0686 | hydrosystem.com

*\* Indicates options that are shown (listed in order from top to bottom/ left to right)*

# ELLE 7236

# H|S

DESIGNER COLLECTION

### As SHOWN:

Whirlpool option with standard jet location

### FEATURES SHOWN:

- Jets
- Overflow location
- Drain location

### ALSO AVAILABLE:

- Soaking tub only
- Whirlpool
- Thermal Air
- Combo

### BACKSLOPE:

37 Degrees

### WATER CAPACITY:

60 Gallons

### WEIGHT:

80-120 Pounds depending on system

### DROP-IN CUTOUT INSTALL DIMENSIONS:

- (L)ength - 70"
- (W)idth - 34"
- Finished Height - 17-1/4"

### INSTALLATION TIPS:

- When adding integral linear drain p-trap location is now below waste
- Adding multiple systems/options may require equipment to stick out from tub deck or be installed remotely

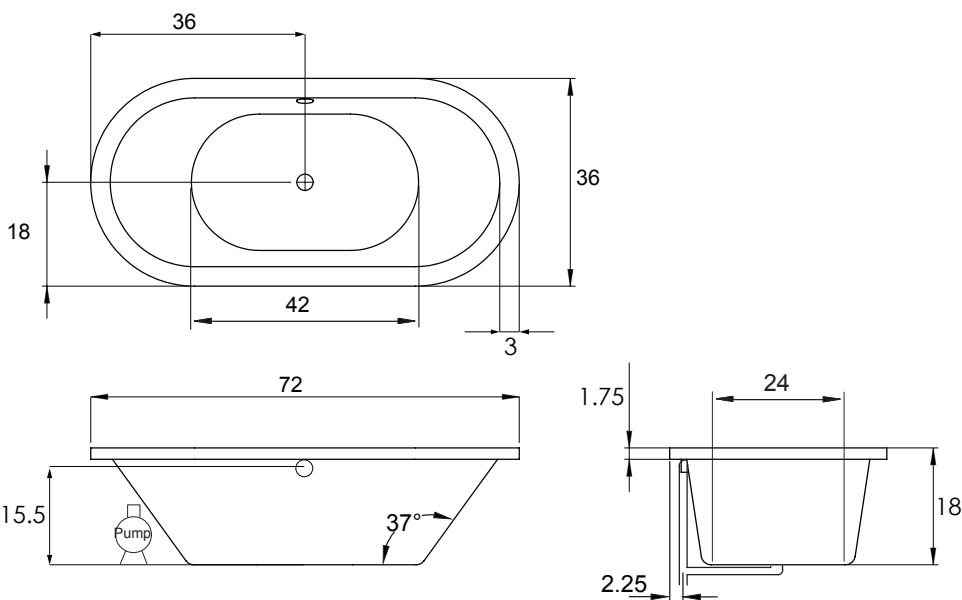
### CODES AND COMPLIANCES

Massachusetts code File no: P1-0614-491 15.5



### ACRYLIC TUB

- Acrylic models finished in 1/8" thick layer of deep lustrous acrylic
- Pre-wired pump on pump platform (standard pump location only)
- Integral E-Z level platform facilitates installation
- Micro mount reduces lip height by approximately 3/8" to 5/8"
- Micro mount requires increase in framing height by approximately 1-1/4"



HYDRO SYSTEMS  
Family Owned And Operated Since 1978

29132 Avenue Paine. Valencia, CA, 91355  
661.775.0686 | hydrossystem.com



MADE IN AMERICA

All specifications and options subject to change without notice please contact a Hydro Systems representative for more information. Certain options or altering the pump/blower location may cause the pump/blower to extend beyond the tub decking. For cutout dimensions wait for unit to arrive. All specifications subject to change without notice.