

**INSTALLER -  
Please pass these  
IMPORTANT  
instruction along to  
the homeowner!**



**HYDRO SYSTEMS**

family owned and operated since 1978

**DESIGNER COLLECTION FREESTANDING TUBS**

**IMPORTANT SAFETY INSTRUCTIONS  
GENERAL INSTRUCTIONS**

**INSTRUCTIONS PERTAINING TO A RISK OF FIRE, ELECTRIC SHOCK, OR INJURY TO PERSONS.**

**TABLE OF CONTENTS**

Follow All Instructions, Installation Instructions, General Requirements .....PAGE 2

Installing The Tub.....PAGE 3

Installing The Tub Continued.....PAGE 4

Supplemental Installation Information, Thermal Air Installation.....PAGE 5

User Care and Maintenance.....PAGE 6

Limited Warranty.....PAGE 7

Please refer to [www.hydrossystem.com](http://www.hydrossystem.com) for videos on how to install your bathtub and get specific dimensions on your model bathtub

**WARNING:** When using your Hydro Systems whirlpool tub, basic precautions should be followed.

## **READ AND FOLLOW ALL INSTRUCTIONS.**

1. **DANGER:** To reduce the risk of injury, do not permit children to use this unit unless they are closely supervised at all times.
2. Use this unit only for its intended use as described in this manual. Do not use attachments not recommended by the manufacturer.
3. Never drop or insert any object into any opening.
4. Do not operate this unit without suction cover installed.
5. The unit must be connected only to a dedicated electrical supply circuit that is protected by a Ground Fault Circuit Interrupter (GFCI). The GFCI must be provided by the installer and should be tested on a routine basis by the homeowner. To test the GFCI push the test button. The GFCI should interrupt power. Push the RESET button. Power should be restored. If the GFCI fails to operate in this manner there is a ground current fault, indicating the possibility of an electric shock. Do not use the tub. Disconnect the power and have the problem corrected by a qualified service representative. Re-test the GFCI and only when it is operating properly may the thermal air tub be used.



**WARNING:** This product can expose you to chemicals including styrene, which is known to the State of California to cause cancer. For more information, go to [www.P65Warnings.ca.gov](http://www.P65Warnings.ca.gov).

## ***Save These Instructions***

# **INSTALLATION INSTRUCTIONS**

1. **DANGER: RISK OF ELECTRICAL SHOCK.** Connect only to a circuit protected by a ground fault circuit interrupter.
2. This unit should be installed by a qualified service representative. All electrical connections should be made by a licensed electrician. Grounding is required.
3. The installation of Hydro Systems bathtubs must meet all applicable codes and regulations.
4. **READ ALL THE INSTRUCTIONS** before you begin the installation.
5. **INSPECT THE TUB** before you begin the installation. Inspect the following:
  - Is it the correct model? The correct size? The correct color?
  - If options or upgrades were ordered, are they complete and correct?
  - If the tub was ordered with components in non-standard locations, check to make sure they all are in their correct locations.
  - Check all components to make sure no damage occurred during shipping.

**DO NOT INSTALL THE TUB** if any of the above is not correct.

Contact the dealer where the bathtub was purchased or call Hydro Systems directly at **661-775-0686**.

***You will need to know the bathtub serial number attached to your warranty card and also located on the back side of the bathtub when contacting Hydro Systems.***

## FREESTANDING INSTALLATION

FIGURE 1

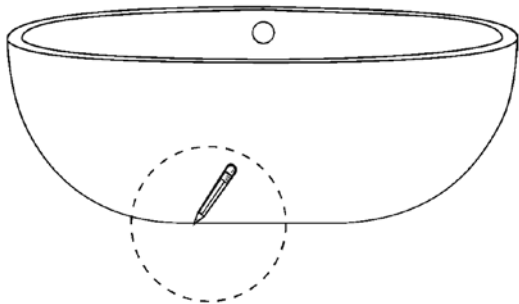


FIGURE 2

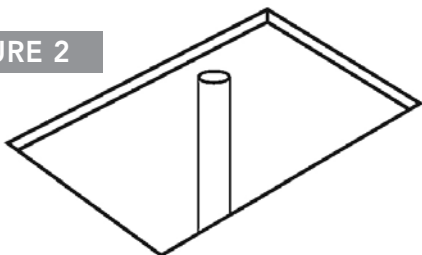


FIGURE 3

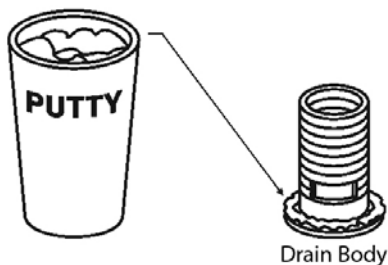


FIGURE 4

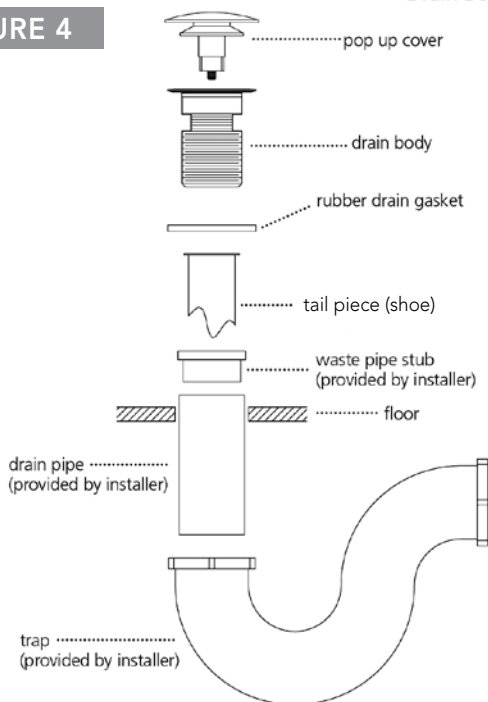
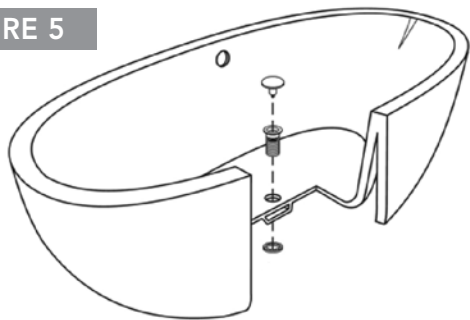


FIGURE 5



### PREPARATION

- 1 Clean, level, and prepare the floor for installation.
- 2 Place the unit in the exact installed position on the floor and trace the outline of the bath with a pencil or any erasable marking (Figure 1). Templates for Freestanding bathtubs come with the tub.
- 3 Determine the location of the drain pipe, on the floor by taking measurements of the drain and waste location underneath the unit (Figure 2).
- 4 Using a blanket, cardboard, or other clean protective surface, turn the unit on its side so that the unit is properly supported during drain installation.
- 5 Clean the drain hole area in preparation of setting the strainer. The area should be dry and free of any debris.

### INSTALL DRAIN HARDWARE

- 6 Apply plumbers putty around the Drain Body and pass it through the drain hole (Figure 3).
- 7 Slide the rubber washer over the drain body.
- 8 Attach the drain Body to the ABS/ PVC Shoe fitting and tighten until the Gasket has created a seal with the bottom of the bathtub. **DO NOT OVERTIGHTEN** (Figure 4).

### PREPARE TAIL PIECE

- 9 Apply rubber gasket and slide it over the bottom of the Drain Body (Figure 5)
- 10 Install 1 1/2" rubber slip gasket over the drain body.
- 11 Thread in shoe.
- 12 Glue shoe to tail piece.

FIGURE 6

(provided by installer)

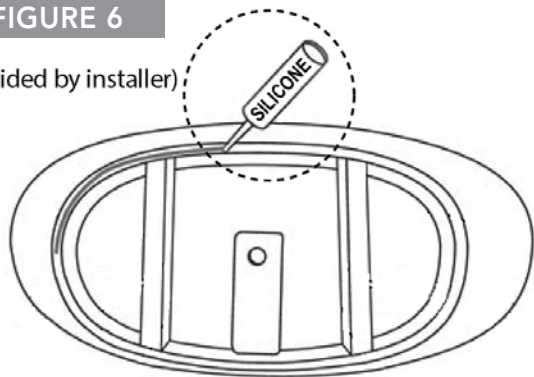


FIGURE 9

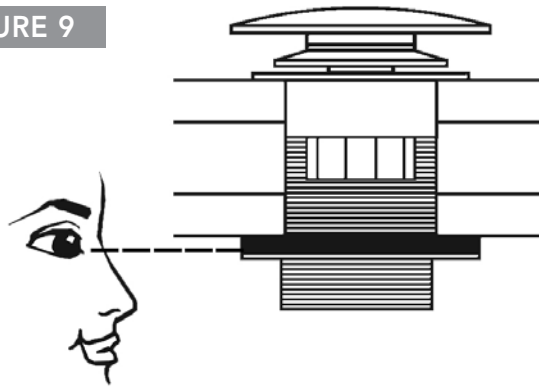


FIGURE 7

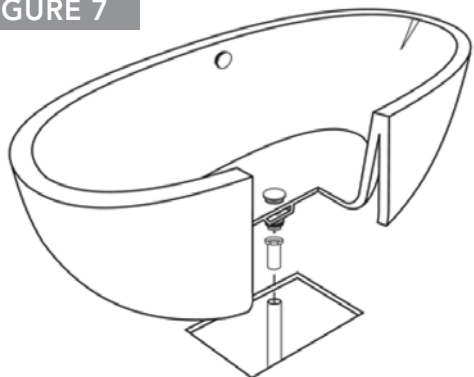
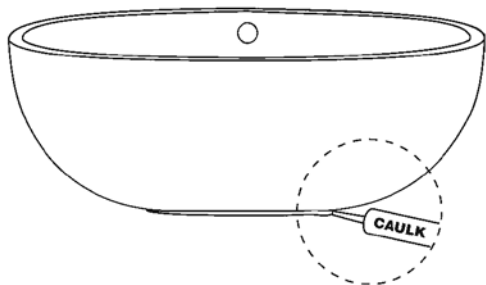


FIGURE 8



## INSTALL BATHTUB

- 13 Adjust legs to a height of 1/8" max below skirt.
- 14 Apply generous bead of adhesive or silicone to the bottom of the tub supports and feet. (Figure 6).
- 15 Carefully set tub into position (Figure 7) and connect the drain hardware (previously installed).
- 16 Then apply a bead of tub and tile caulk or silicone around the edge of the base (Figure 8).

## COMPLETE BATHTUB INSTALLATION

- 17 Fill tub with water to the overflow and then drain the tub while inspecting the waste connections below the floor for leaks. Access from below will be necessary for this step (Figure 9).

## TOWER

A Tower can be added to most of our Designer Collection Freestanding Bathtubs allowing you to use traditional Roman faucets.



## WASTE AND OVERFLOW

The Designer Collection Freestanding Tubs offer integral waste and overflow on all models because of the limited space between the inner and outer tub shells. Use care when selecting your drain kit. The Designer Collection Freestanding Tubs offer toe tap hardware standard.

# SUPPLEMENTAL INSTALLATION INFORMATION

## FREE STANDING TUBS

### GENERAL INFORMATION

- Rough In Dimensions – For critical dimensions, we suggest taking the measurements of the actual tub on site. All printed specifications are +/- ½ inch and subject to change without notice.
- Base –the tub must be level

### BASIC INSTALLATION PROCEDURE

- Determine final location of the tub. Tub will sit on top of finished flooring.
- Ensure location is structurally sound, flat and level.
- Align the tub in a manner that the drain lines up with the P-trap in the floor. **DO NOT LET THE TUB REST ON THE DRAIN PLUMBING.**
- Check the tub for level. It must be level end to end and side to side.
- Caulk the gap between the skirt and the floor.

### FIXTURES

- No Fixtures can be mounted on the tub deck. Floor and wall-mounted fixtures are required.
- Wall-Mounted – The position of the tub and the reach of the spout are critical. Pay special attention to the spout reach when choosing your fixtures. Be careful to ensure the spout will extend out far enough to clear the tub deck and the falling water will not hit too high up the side wall of the tub and splash.
- Floor-Mounted – Some freestanding fixtures must be anchored to the tub drain for stabilization.

### THERMAL AIR

#### **ELECTRICAL REQUIREMENTS:**

**WARNING:** When using electrical products, basic precautions should always be followed, including the following:

**DANGER: RISK OF ELECTRICAL SHOCK.** Connect only to a circuit protected by a ground fault circuit interrupter. Grounding is required. All electrical connections should be made by a licensed electrician. Installation of Hydro Systems bathtubs must meet all applicable codes and regulations.

– 1 HP Blower - A dedicated 120v 20 amp GFCI protected electrical circuit is required for tubs with the standard 1 HP 120v Blower.

- Remote Mounting Blower – Due to the limited space between the inner and outer shell on all of The Maestro Collection Freestanding tubs, the blower must be remote mounted. In addition to the air pipe there are two electrical connections between the tub and the blower. Both connections and the air pipe exit through the bottom end of the bath. It is always desirable to remote mount the air blower as close to the tub as possible to minimize loss of heat. Pipe insulation may be used on the inlet air line to minimize heat loss.
- It is not recommended that the blower be mounted over 8 feet away from the tub. The supplied wiring between the tub and the blower is approximately 10 feet long.
- Remote blower locations – There are several locations where the blower can be located. There must be a GFCI electrical outlet within 2 feet of the blower. The blower is approximately 9.25 inches long and 8 inches in diameter and 5" high. Substantial ventilation is required to keep the blower from overheating and to supply the large volume of air being sent to the tub. Never wrap insulation around the blower as this will cause the equipment to fail. The best location is directly below the tub in the floor joists. This location keeps the distance short and offers easy access from below. If the room below has a finished ceiling, there are many fixtures such as HVAC return that can be used to camouflage the access panel in the ceiling. Other possible locations include an adjacent closet, vanity or a same level attic. Every home is different and there may be other desirable locations. Keep in mind that the blower must be accessible for any future servicing.
- Remote Blower Kit – If the blower is not mounted directly adjacent to the tub, a remote blower kit will be required. The kit consists of: extension pipe, couplings and cable. Please indicate the necessary length of pipe and cable required.

# USER CARE AND MAINTENANCE

**WARNING: Any service or maintenance other than described below should be performed by a qualified service representative. Call your Hydro Systems dealer for the name of a qualified service representative near you.**

To maintain the “like new” look of your Hydro Systems acrylic bathtub, we recommend the following easy care procedures.

- Never use abrasive cleaners
- Use common household, non-abrasive cleaners for most cleaning jobs such as Lysol Basin, Tub & Tile Cleaner®, Glass Plus®, Simple Green®, Mr. Clean, and Top Job, or a mild dishwashing detergent such as Ivory® Liquid. Follow the manufacturers’ directions and precautions. Rinse well and dry with a clean cloth.
- Do not use products such as acetone (nail polish remover), dry cleaning solution, lacquer thinners, gasoline, pine oil, wintergreen, etc.
- Use Isopropyl rubbing alcohol to clean grease oil, paint or ink. Dry with a clean soft cloth.
- Avoid using razor blades, putty knives, or other metal instruments that might scratch the surface. Small scratches can be removed by applying a thin coat of automotive paste wax and buffing lightly with a clean cloth. For deeper scratches sand the surface lightly with 600 grit “wet or dry” sand paper, rub out with fine buffing compound, and apply a coat of wax

## CLEANING INSTRUCTIONS

### GLOSS FINISH

- Clean with mild dish soap and water, any non abrasive product to clean high-gloss counter surfaces will work.
- Remove dust with a soft damp cloth, for example; microfiber or calico cloths.
- Clean oil, paint, ink or grease with rubbing alcohol and dry with a soft cloth.

Please do not use anything else other than what was instructed. Improper use can result in damage to the tub or its finish and may void the warranty. Keep in mind, if you do end up damaging the tub, scratches can usually be removed, buffed or polished out by an Authorized Hydro Systems Service Agent.

# DESIGNER COLLECTION 99/9 LIMITED WARRANTY

To prove our commitment and ensure your continued satisfaction with your bathtub, we back our product with the best warranty in the business - our 99/9 warranty. This limited warranty covers aspects of the tub for 99 years and aspects of the parts for 9 years. HYDRO SYSTEMS, at its option, will repair or replace any defective or malfunctioning part of its system or bathtub, excluding pump, controller or accessories which may be guaranteed separately by their manufacturer. This limited warranty does not include, and HYDRO SYSTEMS does not assume, any liability for the finish or the wearing quality on any plated product.

All parts labor and material necessary to repair the system or bathtub are covered except parts excluded above. If repairs cannot be made on the premises, the cost of removal or installation of a replacement system or bathtub and the cost of transportation to and from HYDRO SYSTEMS are not covered.

Upon discovery of a defect or malfunction, notify supplier or installer within ten (10) days and include a description of the malfunction or defect, the date the system was purchased and installed, the name and address of the seller, and the name, address and residence and business telephone number of the person sending the notice together with information as to when the system can be inspected. To obtain performance of warranty obligations, contact HYDRO SYSTEMS | 29132 Avenue Paine, Valencia, CA 91355 | (661)-775-0686

HYDRO SYSTEMS assumes no liability for damage caused by improper installation, intentional reckless or negligent acts of any person, or repairs or attempt thereof by any firm or person other than HYDRO SYSTEMS or its representative, loss of use, incidental or consequential damages, or any cost or expense incurred.

No Dealer or other person has any authority to make any warranties or representations concerning HYDRO SYSTEMS or its products. Accordingly, HYDRO SYSTEMS is not responsible for any such warranties or representations.

This warranty gives you specific legal rights, and you may also have other rights which vary from state to state.



U.L. LISTED – Pumps



U.L. LISTED – Hydromassage Bathtubs



IAPMO LISTED –  
Uniform Swimming Pool, Spa & Hot Tub Code



IAPMO LISTED –  
Uniform Plumbing Code

**H | S** **HYDRO SYSTEMS**  
family owned and operated since 1978

**HYDRO SYSTEMS, INC.**, 29132 Avenue Paine, Valencia, CA 91355 • 661-775-0686 • fax: 661-775-0668

sales@hydrosystem.com • www.hydrosystem.com