

# ANGEL CD 7242

DESIGNER COLLECTION

# H | S

## PVC SYSTEMS INCLUDE:

- 8 Fully directional adjustable flow PVC jets
- Anti-vortex safety suction
- Color matched system trim
- HydroOzone ozone sanitation system
- Rigid PVC piping
- Self draining pump and system
- Soft Touch electronic on/off control with 30-minute integral times
- 2.25 HP single speed pump
- Cable waste and overflow



Standard Grab Bar



Linear Integral Waste and Overflow



Chromatherapy-LED Lighting System

## OPTIONS: [\(MORE INFORMATION AVAILABLE ON OUR WEBSITE\)](#)

- Additional Jets
  - Directional or Swirling
- Back Masseuse Systems
- Chromatherapy-LED Lighting System
- Custom Jet and Pump Location
- Electronic Low Water Protection
- Extra High Density
- Grab Bars
  - Standard or Universal
- Hydro Coat
- Hydro Express Quick Ship
- Hydro Fusion
- Hydro Indulge
- HydroOzone UV System
- In-line Heater
- Integral Waste and Overflow
  - Round or Linear
- Jumbo Jets
  - Directional or Rotating
- Micro Therapy Jets
- Molded Armrests
- Neck Masseuse Pillow

## STANDARD ELECTRICAL REQUIREMENTS:

- Whirlpool System | One 20 Amp Dedicated Circuit
- Thermal Air System | One 15 Amp Dedicated Circuit
- Combo System | One 15 Amp Dedicated Circuit and One 20 Amp Dedicated Circuit
- Indulge System | One 15 Amp Dedicated Circuit
- Hydro Fusion (600 or 1500 Watts) | One 15 Amp Dedicated Circuit
- Inline Heater (600 or 1500 Watts) | One 15 Amp Dedicated Circuit

*\*All electrical components come standard at 115 volts\**

*\*All electrical circuits must be GFCI protected\**

**HYDRO SYSTEMS**  
Family Owned And Operated Since 1978

29132 Avenue Paine, Valencia, CA, 91355  
661.775.0686 | [hydrosystem.com](http://hydrosystem.com)



MADE IN AMERICA

# ANGEL CD 7242

H|S

DESIGNER COLLECTION

**As SHOWN:**  
Whirlpool option

- FEATURES SHOWN:**
- Overflow location
  - Standard jet location

- ALSO AVAILABLE:**
- Soaking tub only
  - Thermal Air
  - Combo

**BACKSLOPE:**  
20 degrees

**WATER CAPACITY:**  
85 Gallons

**WEIGHT:**  
90 - 130 pounds depending on system

- DROP-IN CUTOUT INSTALL DIMENSIONS:**
- (L)ength - 70"
  - (W)idth - 40"
  - Finished Height - 21-1/4"

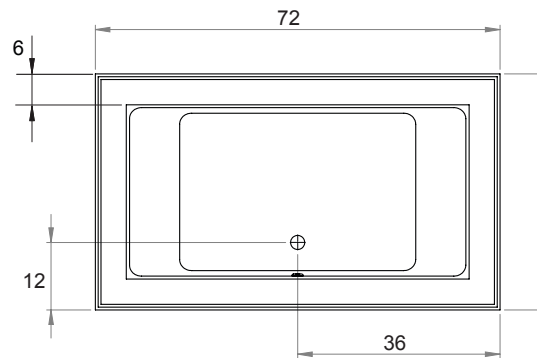
- INSTALLATION TIPS:**
- When adding integral linear drain p-trap location is now below waste
  - Adding multiple systems/options may require equipment to stick out from tub deck or be installed remotely

**CODES AND COMPLIANCES**  
Massachusetts code File no: P1-0614-491

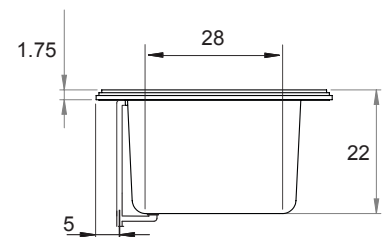
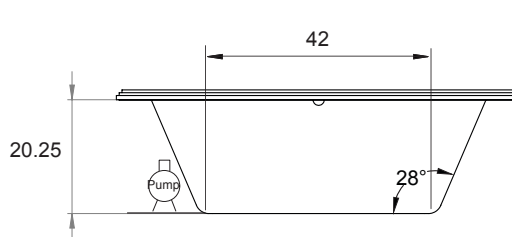


\*Tub must be set in mortar base\*

- ACRYLIC TUB**
- Acrylic models finished in 1/8" thick layer of deep lustrous acrylic
  - Pre-wired pump on pump platform (standard pump location only)
  - Integral E-Z level platform facilitates installation



- Optional Equipment Dimensions**
- Whirlpool Pump: 12"(H) x 16"(L)
  - Thermal Air Blower: 5"(H) x 11"(L)
  - Hydro Fusion: 7"(H) x 15.5"(L)
  - Hydro Indulge: 11"(H) x 19"(L)



**HYDRO SYSTEMS**  
Family Owned And Operated Since 1978

29132 Avenue Paine, Valencia, CA, 91355  
661.775.0686 | hydrossystem.com



MADE IN AMERICA

All specifications and options subject to change without notice please contact a Hydro Systems representative for more information. Certain options or altering the pump/blower location may cause the pump/blower to extend beyond the tub decking. For cutout dimensions wait for unit to arrive. All specifications subject to change without notice.