

# GALAXIE 6638

DESIGNER COLLECTION

H | S

## PVC SYSTEMS INCLUDE:

- 8 Fully directional adjustable PVC jets
- Anti-vortex safety suction
- Color matched system trim
- HydroOzone ozone sanitation system
- Rigid PVC piping
- Self draining pump and system
- Soft Touch electronic on/off control with 30-minute integral times
- 2.25 HP single speed pump
- Cable waste and overflow
- Requires 20 Amp Dedicated GFCI



Designed with an elongated bathing well and deck with its graceful curved lip, the Galaxie is an ideal choice for either undermount or deck installations. The striking tub provides a welcome respite for one or two. Visit <http://www.hydrosystem.com> for more details on our options and accessories.



## OPTIONS

- \*Grab Bars
- \*Integral Linear Waste and Overflow
- \*Chromatherapy-LED Lighting System
- Microban Antibacterial Protection
- Extra high density fiberglass
- Custom jet and pump locations
- Armrests available
- Plated Metallic finish
- Additional directional Jets
- Directional, Rotating, or Jumbo Jets
- Micro Therapy Jet
- Integral Waste and Overflow (round)
- Electronic low water protection
- In-line heater
- Back Masseur
- Neck Masseur Pillow
- Hydro Fusion
- Hydro Coat
- Hydro Express quick ship

HYDRO SYSTEMS  
Family Owned And Operated Since 1978

29132 Avenue Paine, Valencia, CA, 91355  
661.775.0686 | [hydrosystem.com](http://hydrosystem.com)

\* Indicates options that are shown (listed in order from top to bottom/ left to right)

# GALAXIE 6638

# H|S

DESIGNER COLLECTION

### As SHOWN:

Whirlpool option with standard jet placement

### FEATURES SHOWN:

- Jets
- Overflow location

### ALSO AVAILABLE:

- Soaking tub only
- Whirlpool
- Thermal Air
- Combo

### SIZE:

66.38.18½

### WATER CAPACITY:

60 Gallons

### WEIGHT:

70 - 110 Pounds

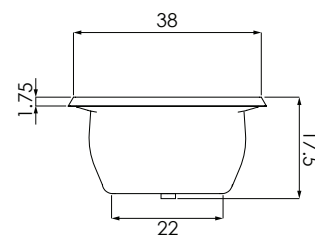
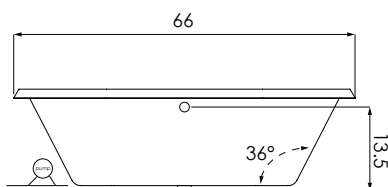
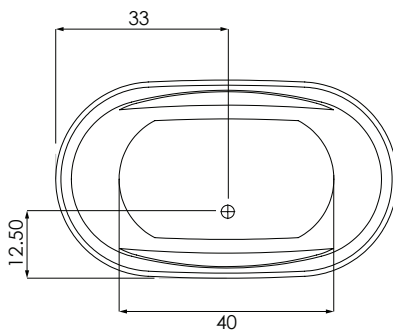
### DROP-IN CUT OUT DIMENSIONS:

- (L)ength- 64"
- (W)idth- 36"
- (H)eight Finish- 16.75"



### ACRYLIC TUB

- Acrylic models finished in 1/8" thick layer of deep lustrous acrylic
- Extra thick reinforced fiberglass
- Pre-wired pump on pump platform (standard pump location only)
- Integral E-Z level platform facilitates installation
- Tub must be set in a mortar base
- When adding the linear option, locate p-trap below waste



### CODES AND COMPLIANCES

Massachusetts code File no: P1-0614-491



**HYDRO SYSTEMS**  
Family Owned And Operated Since 1978

29132 Avenue Paine. Valencia, CA, 91355  
661.775.0686 | hydrosystem.com

All specifications and options subject to change without notice please contact a Hydro Systems representative for more information. Certain options or altering the pump/blower location may cause the pump/blower to extend beyond the tub decking. For cutout dimensions wait for unit to arrive. All specifications subject to change without notice.