

# SYDNEY 6632

DESIGNER COLLECTION

# H | S

## PVC SYSTEMS INCLUDE:

- 6 Fully directional adjustable PVC jets
- Anti-vortex safety suction
- Color matched system trim
- HydroOzone ozone sanitation system
- Rigid PVC piping
- Self draining pump and system
- Soft Touch electronic on/off control with 30-minute integral times
- 2.25 HP single speed pump
- Cable waste and overflow
- Requires 120 V 20 Amp Dedicated GFCI



Featuring sharp, Zen lines and a seamless molded skirt, the Sydney is a tub that compliments a variety of modern designs. With standard molded tile flanges, it is as easy to install as it is to design around. Visit <http://www.hydrosystem.com> for more details on our options and accessories.



## OPTIONS

- \*Grab Bars
- \*Integral waste and overflow (linear)
- \*Chromatherapy-LED Lighting System
- Chromatherapy-LED Mini Spotlights
- Microban Antibacterial Protection
- Extra high density fiberglass
- Custom jet and pump locations
- Armrest
- Plated Metallic finish
- Additional directional Jets
- Swirling, Rotating, or Jumbo Jets
- Micro Therapy Jet
- Integral waste and overflow (circular)
- 1.5 HP Variable Speed Pump (digital temperature display optional)
- Electronic low water protection
- In-line heater
- Mood Light
- Back Masseur
- Neck Masseur Pillow
- Hydro Fragrance
- Hydro Fusion
- Hydro Coat
- Hydro Express quick ship



**HYDRO SYSTEMS**  
Family Owned And Operated Since 1978

29132 Avenue Paine, Valencia, CA, 91355  
661.775.0686 | [hydrosystem.com](http://hydrosystem.com)

\* Indicates options that are shown (listed in order from top to bottom/ left to right)

# SYDNEY 6632

# H | S

DESIGNER COLLECTION

## As SHOWN:

Whirlpool option with standard jet location

## FEATURES SHOWN:

- Jets
- Overflow location

## ALSO AVAILABLE:

- Soaking tub only
- Whirlpool
- Thermal Air
  - Approx 68 injections
- Combo



## WATER CAPACITY:

70 Gallons

## WEIGHT:

120 - 160 Pounds

## MODEL 6632 DIMENSIONS:

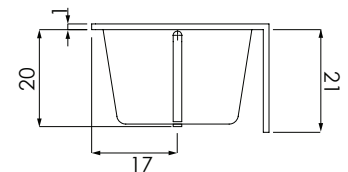
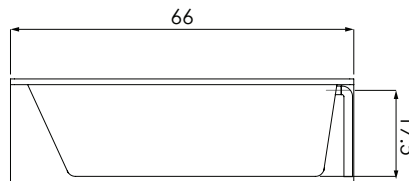
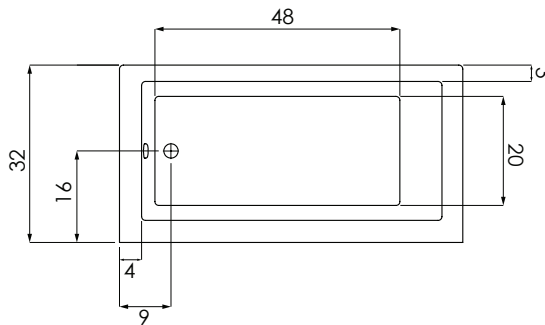
- (L)ength- 66"
- (W)idth- 32"
- (H)eight Finish- 21"
- (D)epth- 20"

## Framing Specifications:

- Opening Length- 66"
- Opening Width- 32"
- Ledger- 20.5"

## ACRYLIC TUB

- Acrylic models finished in 1/8" thick layer of deep lustrous acrylic
- Extra thick reinforced fiberglass
- Pre-wired pump on pump platform (standard pump location only)
- Integral E-Z level platform facilitates installation
- When adding linear option, p-trap located directly below waste
- Tub must be set in a mortar base



## CODES AND COMPLIANCES

Massachusetts code File no: P1-0614-491



**HYDRO SYSTEMS**  
Family Owned And Operated Since 1978

29132 Avenue Paine, Valencia, CA, 91355  
661.775.0686 | hydrosystem.com

All specifications and options subject to change without notice please contact a Hydro Systems representative for more information. Certain options or altering the pump/blower location may cause the pump/blower to extend beyond the tub decking. For cutout dimensions wait for unit to arrive. All specifications subject to change without notice.