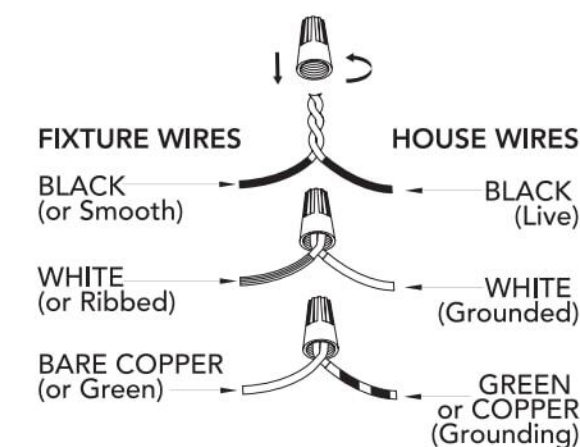


PREPARING FOR INSTALLATION

Carefully remove all contents from the carton. Shut off the power at the circuit breaker and completely remove the old fixture from the ceiling, including the old mounting bracket. Remove the new mounting bracket assembly from the bag. One end of the threaded post (D) should be attached to the mounting bracket (A) with a hex nut (E) in place. The other end should have the canopy loop (G) attached. Unscrew the canopy loop ring (H) from the canopy loop (G). Depending on the placement of your junction box the position of threaded post (D) may need to be adjusted to allow the canopy to be flush with the ceiling. Determine this by lifting mounting bracket (A) up to the junction box and place canopy (F) over the canopy loop (G), so that it is flush with the ceiling. Adjust the position of threaded post (D) on the mounting bracket (A) so that the canopy (F) covers at least half of the exterior threads on the canopy loop (G) while it is securely connected to threaded post (D). The threaded post (D) can be adjusted by loosening hex nut (E) to allow movement of threaded post (D) on mounting bracket (A). Once the ideal position of the threaded post (D) is determined, tighten up the hex nut (E) onto the threaded post (D) just beneath the mounting bracket (A) to secure the threaded post in place.

ASSEMBLING THE FIXTURE

Thread wires through and screw the rod with top loop (K) onto the threaded post (L) of the fixture. By measuring, determine the correct number of chain links needed for proper hanging height. If necessary, use a pair of pliers to open and remove any excess chain. Attach one quick-connect link (J) to each end of chain (I). Use one quick-connect link (J) to attach chain (I) to hanging ring (K) and securely close. Feed the fixture wires up through the chain (every three links or so), pulling the wires until taut. Slide canopy loop ring (H) and canopy (F) onto the chain/wire and thread wires through canopy loop (G) and threaded post (D). Use the remaining quick-connect link (J) to attach chain (I) to canopy loop (G). To shorten the fixture, trim the wires to desired length. Leave at least 8 to 10 inches of wire in addition to the desired length. Have a helper support the fixture's weight and attach the mounting bracket (A) to the junction box by securely tightening the mounting screws (C).



CONNECTING THE WIRES

Attach the fixture's wires to the power supply wires from the junction box. Connect black to black (live); white to white (neutral); grounding to grounding (green or copper). Twist the ends of the wire pairs together. Then, twist on a wire connector. Make sure all twists are in the same direction. Loop fixture's ground wire around grounding screw (E) and tighten. If there is no ground wire (green or copper) from the junction box, contact a qualified electrician.

FINISHING THE INSTALLATION

Place the canopy (F) flush to the ceiling and slide the canopy loop ring (H) up beneath the canopy. Tightly screw canopy loop ring (H) onto the canopy loop (G) to properly secure the canopy (F) in place. Adjust the angle of the lamp arms so that they are evenly distributed (see drawing 1) and install candle finials (M). Install light bulb (not included) in accordance with the fixture's specifications. Do not exceed the recommended wattage. Turn on the power and test the fixture. Your installation is now completed.

CLEANING TIPS

Treat the fixture gently! Regular cleaning will reduce the need for deep cleaning. For regular cleaning, turn off the light and wipe down the fixture with a clean lint-free cotton or microfiber cloth. Never spray cleaner directly onto the fixture.



Hunter Pro Tip:
Let the tool do the work! Use chain pliers to easily open and close chain links to shorten your fixture.

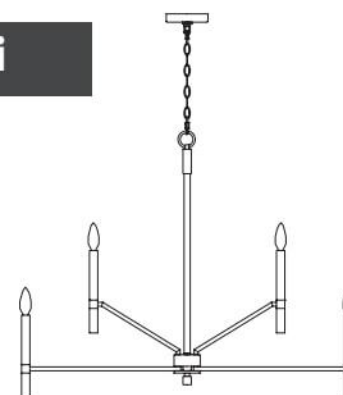


Hunter Pro Tip:
Twist or tape wire ends together to make it easier to pass them through the downrods. Threaded post may also be removed for easier wire access.

Hunter

Sunjai

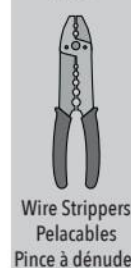
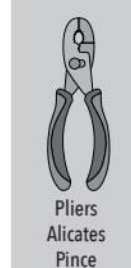
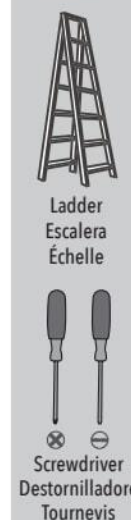
For Models:
Para los Modelos:
Pour les Modèles:
19520
19521
45232



Here are the tools you'll need to complete your installation:

Estas son las herramientas que usted necesitará para completar su instalación:

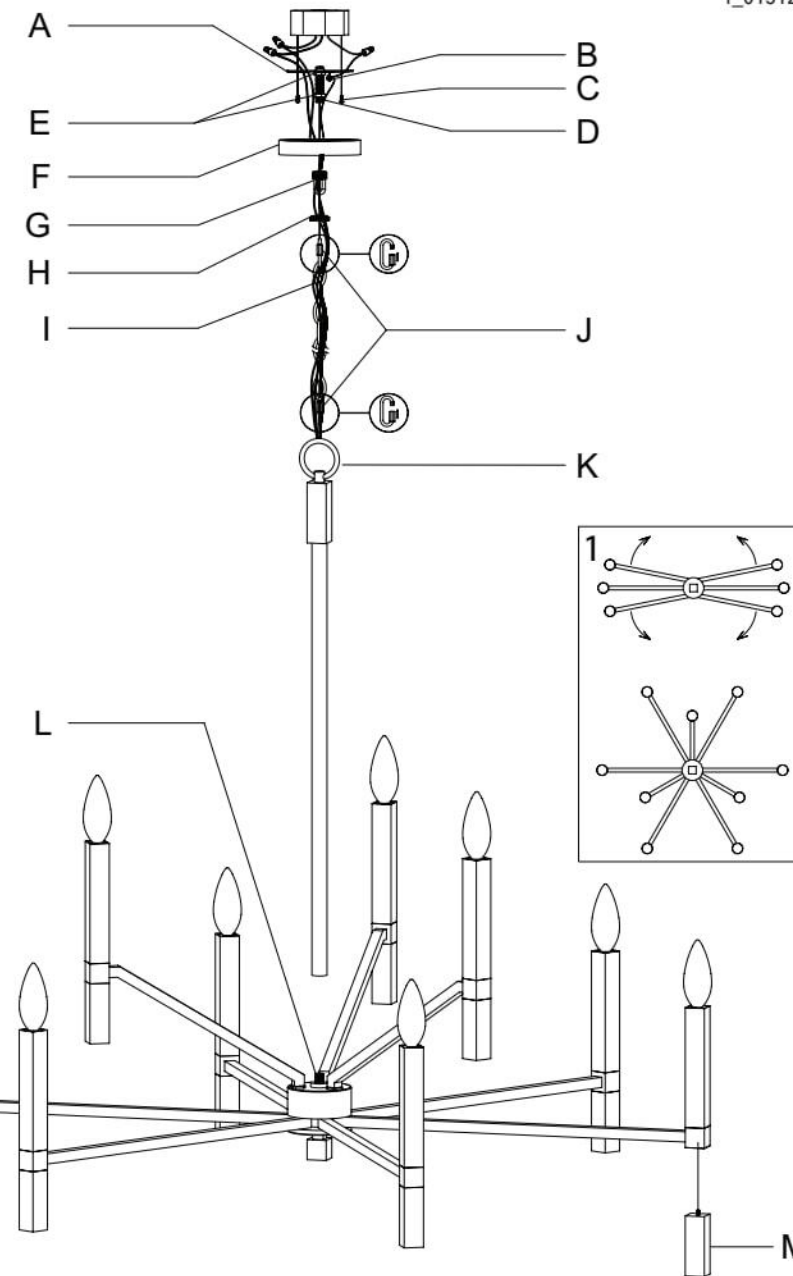
Voici les outils dont vous aurez besoin pour réaliser l'installation:



9 Light Chandelier
9 Luz Lámpara Tipo Araña
9 Lumière Chandelier

Fixture weight ±2 lbs:
Peso ±2 lb: 13.67 lbs (6.20 kg)
Poids fixe ±2 lbs:

Part #/Pieza #/Pièce #	Model/Modelo/Modèle	Finish/Finis/Fini
KE18701214	19520	Brushed Nickel/Niquel Pulido/Nickel Brossé
KE1870124	19521	Alturas Gold/Alturas Gold/Or d'Alturas
KE18701895	45232	Matte Black/Negro Mate/Noir Mat



INSTALLATION INSTRUCTIONS / INSTRUCCIONES DE INSTALACIÓN / INSTRUCTIONS D'INSTALLATION

WARNING

- To avoid possible electrical shock, before installing your light fixture, disconnect the power by turning off the circuit breakers to the outlet box associated with the wall switch location.
- The lighting fixture must be grounded. If the ground wire for the installation site is not present, immediately **STOP** installation and consult a qualified electrician.
- All wiring must be in accordance with national and local electrical codes ANSI/NFPA 70. If you are unfamiliar with wiring or in doubt, consult a qualified electrician.

READ AND SAVE THESE INSTRUCTIONS
These instructions are provided for your safety. It is very important that they are read carefully and completely before beginning installation of the lighting fixture.

ADVERTENCIA

- Para evitar una posible descarga eléctrica, antes de instalar su lámpara, desconecte la energía apagando los interruptores automáticos (breakers) que alimentan la caja de salida asociada con la ubicación del interruptor de pared.
- La lámpara se debe conectar a tierra. Si el alambre de conexión a tierra no está presente en el sitio de la instalación, **DETENGA** inmediatamente la instalación y consulte con un electricista calificado.
- Todo el cableado debe realizarse de acuerdo con los códigos eléctricos locales y nacionales ANSI/NFPA 70. Si no está familiarizado con el cableado, o si tiene duda, consulte a un electricista calificado.

LEA Y GUARDE ESTAS INSTRUCCIONES
Estas instrucciones se proporcionan para su seguridad. Es muy importante leerlas detenidamente y completamente antes de comenzar la instalación de la lámpara.

AVERTISSEMENT

- Pour éviter tout choc électrique, avant d'installer le luminaire, coupez le courant en éteignant les disjoncteurs de la boîte électrique associée à l'interrupteur mural.
- Le luminaire doit être mis à la terre. Si le fil de terre du lieu d'installation n'est pas présent, **ARRÊTER** immédiatement l'installation et consulter un électricien qualifié.
- Tout le câblage doit être conforme aux codes électriques nationaux et locaux en vigueur et à la norme ANSI/NFPA 70. Si vous n'avez pas l'habitude de faire ce câblage ou en cas de doute, adressez-vous à un électricien qualifié.

LISEZ ET CONSERVEZ CES INSTRUCTIONS
Ces instructions sont fournies pour votre sécurité. Il est très important de les lire attentivement dans leur intégralité avant d'entreprendre l'installation du luminaire.