

# Hunter Outdoor Light Fixture Installation Instructions



41770-01 05/16/2005

## **⚠ CAUTIONS**

- Read entire installation instructions carefully before beginning installation and save these instructions.
- To reduce the risk of electrical shock, install this light fixture only on Hunter™ fan type 5. Marked suitable for use in wet locations when installed in a GFCI protected branch circuit. Note: The fan type can be found on the ceiling fan package or on the name plate label located on top of the motor housing of the ceiling fan.

## **⚠ WARNINGS**

- To avoid possible electrical shock, before installing light fixtures disconnect power by turning off the circuit breakers both to the outlet box and to its associated wall switch location. If you cannot lock the circuit breakers in the off position, securely fasten a prominent warning device, such as a tag, to the service panel.
- Connect house wiring to the fan before attaching the light fixture to the fan.
- All wiring must be in accordance with national and local electrical codes. If you are unfamiliar with wiring, you should use a qualified electrician. Professional installation is recommended.

## **Troubleshooting**

### **Light does not come on.**

1. Pull light pull chain one or two times to see if light comes on.
2. Make sure bulbs are installed properly and filament is not blown.
3. Make sure breakers or fuses are on.
4. Verify that the light power lead is connected at the ceiling. Refer to your ceiling fan manual for locating assembly and wiring.

### **Glass rattles.**

1. Make sure the glass globe is secure.

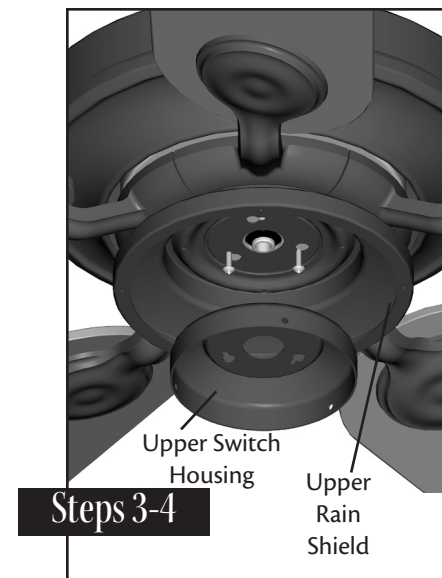
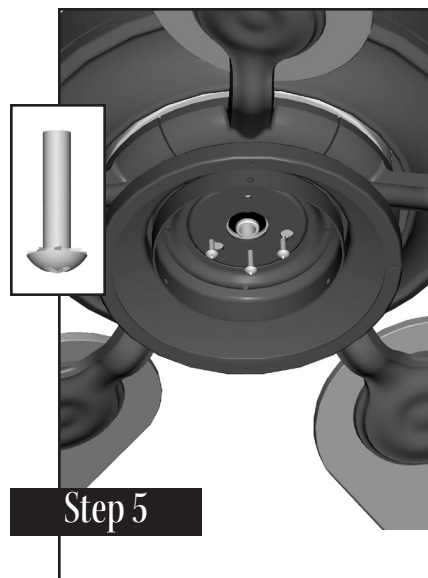
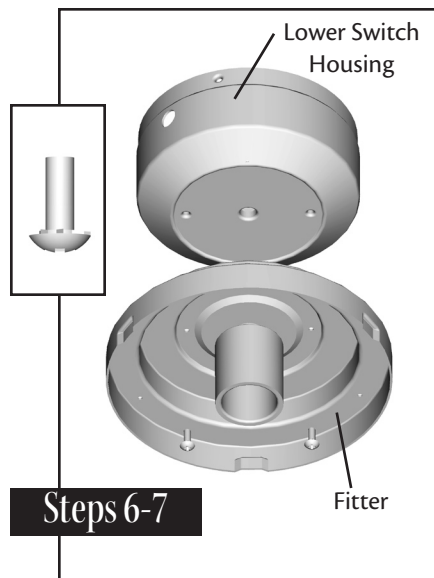
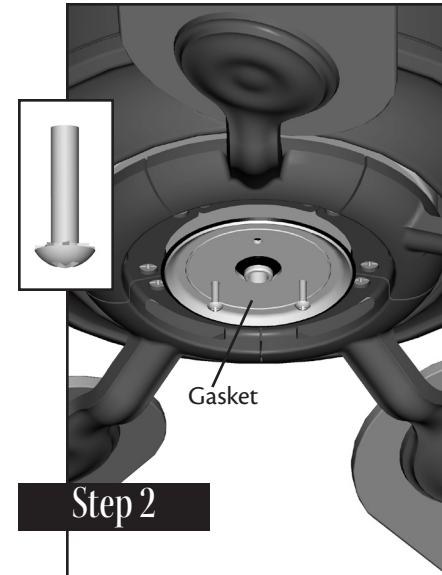
This light fixture is for use only on Hunter Outdoor Elements™ Ceiling Fans, models 28532, 28533, 28534, 28535, and 28536.

For other problems or questions, contact the Hunter Fan Company Technical Support at  
1-888-830-1326 or  
techsupport@hunterfan.com.

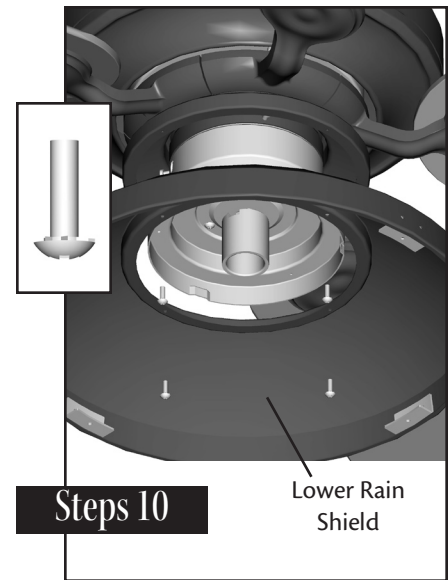
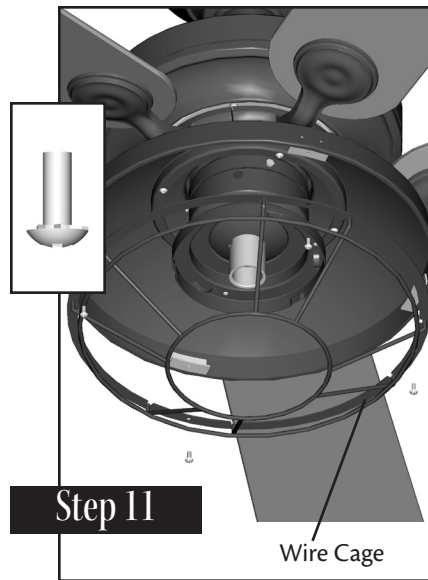
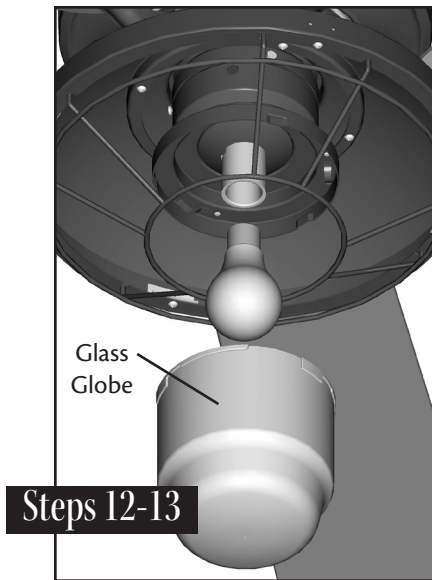
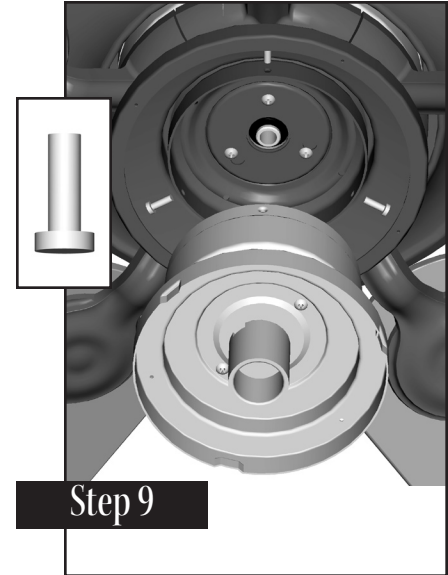
<http://www.hunterfan.com>

The Hunter logo is rendered in a white, stylized, cursive font against a black background. The letters are thick and have a classic, slightly ornate feel.

1. Disconnect power to the ceiling fan by turning off the circuit breakers both to the outlet box and to its associated wall switch location.
2. Align the three holes in the gasket with the three holes in the switch housing mounting plate. Partially install two screws.
3. Place the keyhole slots in the upper rain shield over the two partially installed screws and turn the upper rain shield counter clockwise.
4. Place the keyhole slots in the upper switch housing over the two partially installed screws and turn the upper switch housing counter clockwise.
5. Install a screw into the third hole. Securely tighten all three screws.
6. Feed the two wires from the fitter through the center hole in the lower switch housing.
7. Attach the fitter to the lower switch housing with the two screws. Securely tighten the two screws. **WARNING:** Improper installation could cause the light fixture to fall.
8. Remove the wire nut from the black/white wire in the lower switch housing. Use this wire nut to connect the black/white wire from the lower switch housing to the black wire from the light fixture. Remove the wire nut from the white wire in the lower switch housing. Use this wire nut to connect the white wire from the lower switch housing to the white wire from the light fixture.



9. Connect the 9-pin plug connectors. Attach the lower switch housing to the upper switch housing with the three thumb screws.
10. Attach the lower rain shield to the upper rain shield with four screws. Securely tighten all four screws.
11. Attach the wire cage to the lower rain shield with four screws. Securely tighten all four screws.
12. Install a 75 W Max A-19 bulb.
13. Raise the glass globe and align the indents in the glass globe with the tabs on the fitter. Twist the glass globe clockwise to secure.
14. Restore power to the ceiling fan.





Hunter Fan Company  
2500 Frisco Avenue  
Memphis, Tennessee 38114



This Light Fixture weighs 7.0 lbs.

© 2005 Hunter Fan Company

Printed in China & Taiwan