

## INSTALLATION INSTRUCTIONS FOR FANTASY FLYER SERIES CEILING FAN

# READ AND SAVE THESE INSTRUCTIONS

### CAUTION:

1. Read entire instructions carefully before beginning installation.
2. To avoid possible electric shock, be certain electricity is shut OFF at main panel before wiring.
3. All wiring must be in accordance with national and local electrical codes. If you are unfamiliar with wiring, you should use a qualified electrician.
4. To reduce the risk of personal injury, install the fan only to the building structure according to these instructions, and use only the hardware supplied.

### WARNING:

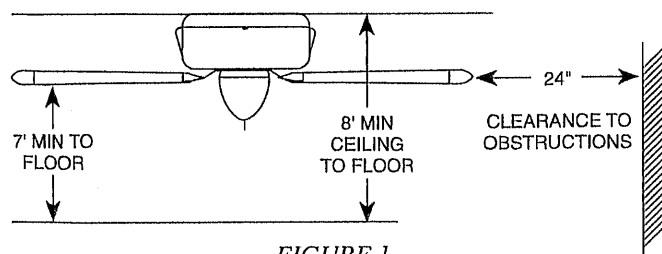
1. To reduce the risk of fire or electrical shock, do not use a solid state speed control with this fan. Use Hunter Control Model 22691.
2. To reduce the risk of fire or personal injury, do not bend the blade brackets when installing the brackets, balancing the blades or cleaning the fan. Do not insert foreign objects in between rotating fan blades.

## Step 1: Pre-Installation Instructions

**A.** Select installation site. Check to make sure that in normal use no object can come in contact with the rotating fan blades. The mounting site should also meet the precautions listed in step 3.

**B.** Installation hardware is included for standard drywall or plaster ceiling. You will need a 4" x 1 1/2" or 4" x 1/2" octagon outlet box and wire nuts (3) which can be purchased from any hardware store or electrical supply house.

**C.** The fan blades must be mounted at least 7' above the floor. For maximum efficiency, they should not have any obstruction (walls, posts, etc.) within 24" of the blade tips. See Figure 1 for mounting distances.



## Step 2: Inspection of Fan

- A.** Unpack unit carefully to avoid any damage to the components.
- B.** Check for any shipping damage to the motor assembly and the fan blades. If more than one fan is being installed, keep the matched and balanced fan blades in sets, as they were shipped. Should one of the fan blades become damaged during shipment, return all blades in the set for replacement.
- C.** Check contents to be certain it contains a bag of parts.

## Step 3: Installation of Outlet Box and Rough-In Wiring

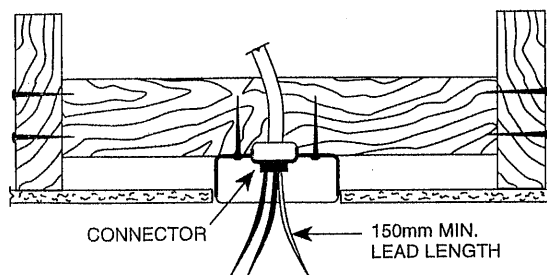
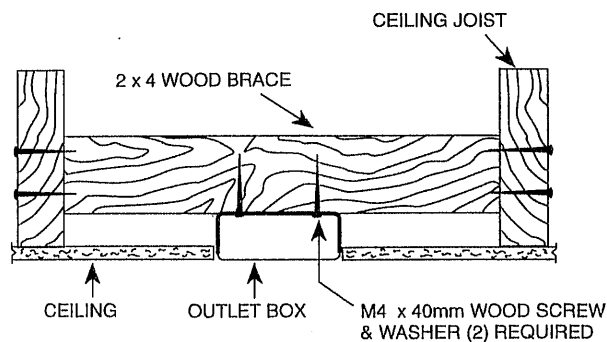
**CAUTION:** Your Hunter ceiling fan with accessories can weigh up to 35 pounds. The following precautions must be taken for safety and to ensure that your fan is securely mounted to the ceiling.

- Be certain electricity is "OFF" at fuse panel when inspecting or preparing the installation site.
- All wiring must meet local and national electrical codes.
- Do not mount directly to an unsupported ceiling or to an electrical outlet. Mounting must support a 35-pound fan with accessories.

**A.** Secure a metallic outlet box (4" x 1 1/2") or (4" x 1/2" deep) to a 2 x 4 cross brace between two ceiling joists as shown in figure 2. The outlet box must be recessed in the ceiling by 1/16" minimum. Secure the outlet box to the cross brace by drilling (2) pilot holes no larger than the minor diameter of the woodscrews (5/64") and use two #8 x 1 1/2" woodscrews and washers. Use the innermost holes for securing the box. Orient the box so the outermost holes are aligned with the 2 x 4 brace. The outermost holes will be used in step 4.

**CAUTION:** Do not use a lubricant on screws.

**B.** Bring electrical cable into the outlet box and attach with an approved connector. Make certain that wiring meets all national and local electrical codes. Wire leads should extend at least 6" beyond outlet box for ease in making connections. See Figure 3.



## Step 4: Installation Of The Ceiling Plate

**CAUTION:** Cover plate must be securely mounted, as it supports the entire weight of the fan.

**A.** Drill two pilot holes,  $\frac{9}{64}$ " diameter in the 2 x 4 brace at the outermost holes in the outlet box. Install the (3) rubber bushings into the top of the ceiling plate. Thread the wire leads through the center hole in the ceiling plate and attach the ceiling plate to the brace. Use (2) #10 x 3" woodscrews and washers for mounting. See Figure 4. Do not tighten screws at this time. Leave a  $\frac{1}{2}$ " gap between the ceiling plate and the ceiling for insertion of the airplane decal.

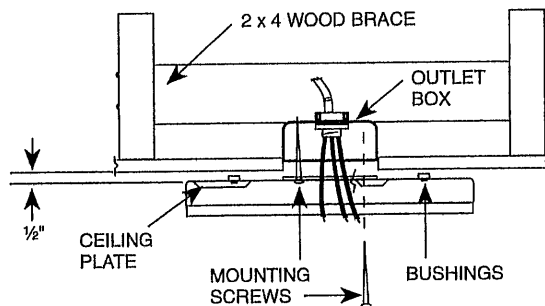


FIGURE 4

## Step 5: Installation of Plane Decal

Please follow the instructions carefully, to insure proper mounting of the decal. Read through first to understand the concept.

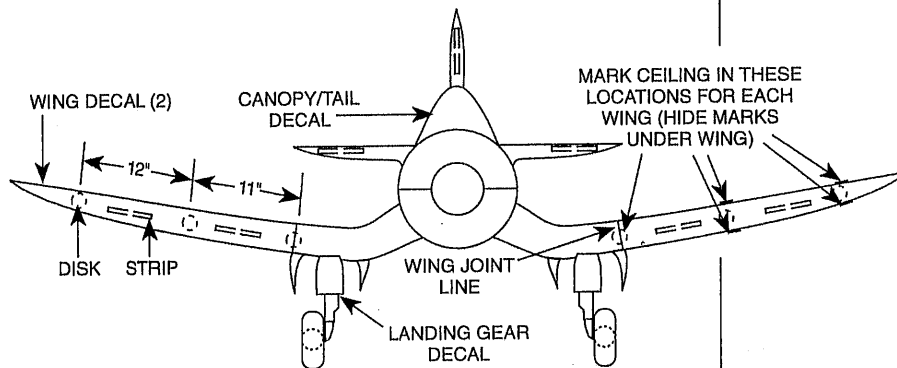


FIGURE 5

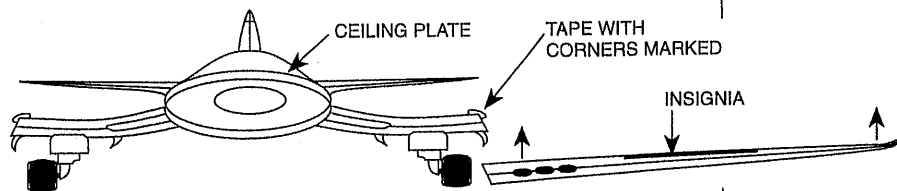


FIGURE 6

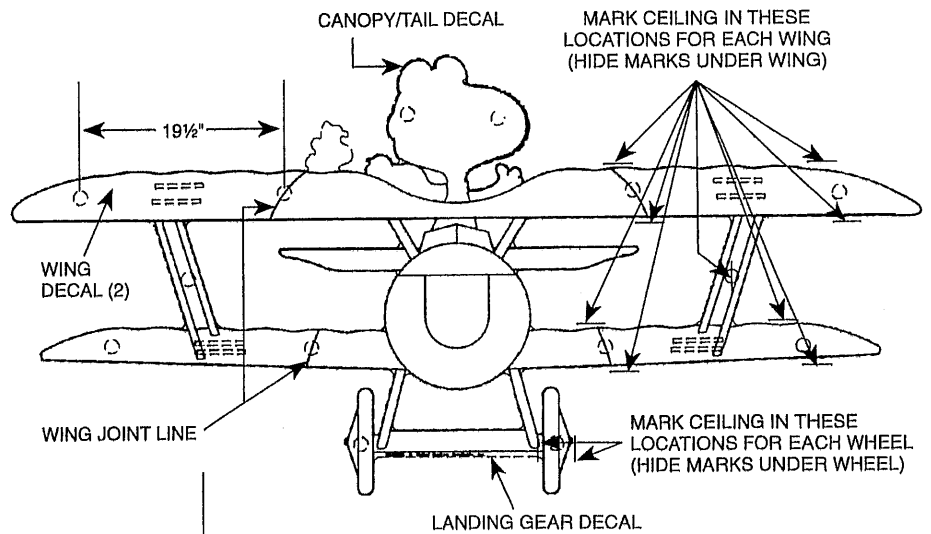


FIGURE 5

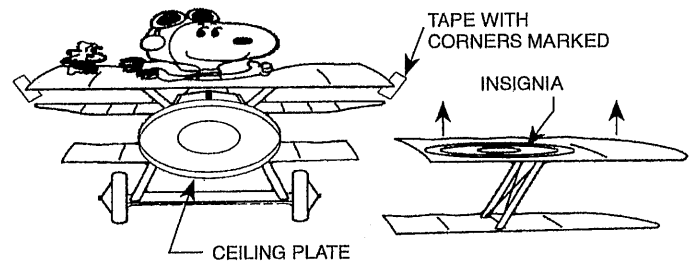


FIGURE 6

The decal comes complete with pressure sensitive tape and special clips to hold it to the ceiling. The decal is in four parts: the Landing Gear, Canopy/Tail and two Wings. Be sure the insignia emblem is mounted on top for the right wing and on bottom for the left wing. See Figure 6. The ceiling should be clean and dry for proper adhesion of the tape strips.

**A.** Slide the Landing Gear decal and the Canopy/Tail decal behind the ceiling plate. Align the decals with the ceiling plate and with one wall for squareness. Tighten the screws on the ceiling plate just enough to hold the decals in place. Put two small pieces of tape under the corners of the Landing Gear decal as shown in Figure 6. Mark the tape to indicate the corners of the decal. **This is extremely important as it will give you the exact location for the decal.** Mark the positions of the wheels and the two wing joint lines as shown in Figure 5. Loosen the ceiling plate screws and remove the decals.

**B.** Use a wood block to drive the clips into the ceiling as shown in Figure 7. Locate one clip between the two lines marked for each wheel and center one clip over each line marked where the wings join the Landing Gear decal.

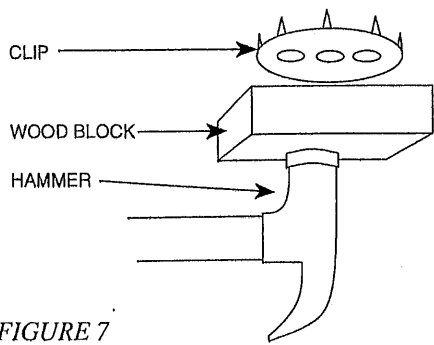


FIGURE 7

**C.** Add the strips of the pressure sensitive tape to the back side of Canopy/Tail decal. Locate strips as shown in Figure 5. Peel off one side of the backing and press into place. Add a disk of pressure sensitive tape to each of the 4 clips that have been driven into the ceiling. Leave the peel-off backing on the other side of the disks and strips until instructed to remove.

**D.** Peel the backing from the strips on the Canopy/Tail decal and from the disks under the wheels. **Do not remove the backing from the disks where the wings attach.** Slide the Landing Gear decal back under the ceiling plate and align corners with lines marked on tape. Press decal in place at wheels. Slide the Canopy/Tail decal under the ceiling plate, align with the landing gear decal and press into place on the ceiling. Tighten ceiling plate screws securely. Remove the two pieces of tape that mark the corners.

**E.** Turn each wing over and mark the approximate dimensions shown in Figure 5 on the back side of the decal. Hold each decal in place on the ceiling and mark the ceiling at each location shown in Figure 5. Use the marks on the back of the decals as a guide. Drive 2 clips into the ceiling for each wing using the marks just placed in the ceiling as a guide. Peel off one side of the backing on the remaining disks and strips. Press the strips onto the decal and the disks onto the clips just driven into the ceiling. See Figure 5.

**F.** Remove the remaining peel-off backing from all strips and disks. Lift the corner of the Landing Gear decal carefully and remove the backing from the two disks where the wings join. Place each wing into position, making sure you are aligned with the clips, and press into place. **YOU DID IT!**

## Step 6: Hanging of the Motor and Wiring

**A.** Before hanging motor from ceiling plate, it is necessary to install the three grommets (provided) into the holes in the motor bracket as shown. See Figure 8A. To hang the motor from the ceiling plate while making wire connections, insert the "T" end of the bracket into the large hole in the ceiling plate with the notch in it. Insert as shown in Figure 8B and rotate so top of motor is towards center of ceiling plate. See Figure 9. Be careful when wiring so that you do not hit the motor and let it turn, or it could fall out of the large hole.

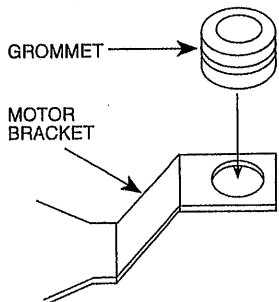


FIGURE 8A

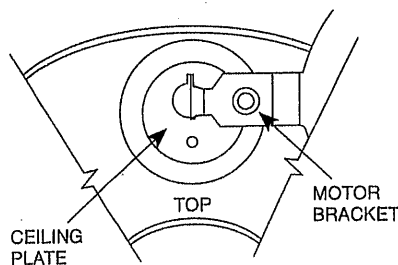


FIGURE 8B

**B.** Connect electrical supply leads to the leads from the motor, using approved connectors. See Figure 9.

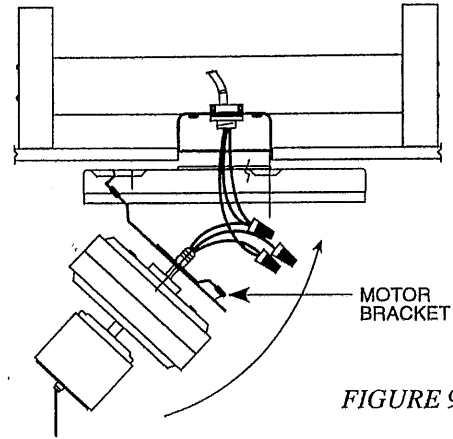


FIGURE 9

**CAUTION:** No bare wire or wire strands should be visible after making connections.

Connect the black electrical supply lead to the black motor lead, the white supply lead to the white motor lead and the ground lead to the green lead.

**NOTE:** If your motor also contains a black lead with a white stripe, connect this lead, along with the black motor lead, to the black supply lead.

**C.** After making the wire connections, the wires should be spread apart, with the white and green wires on one side of the outlet box, and the black wires on the other side of the box. The splices should be turned upward and pushed carefully into the outlet box. See Figure 10.

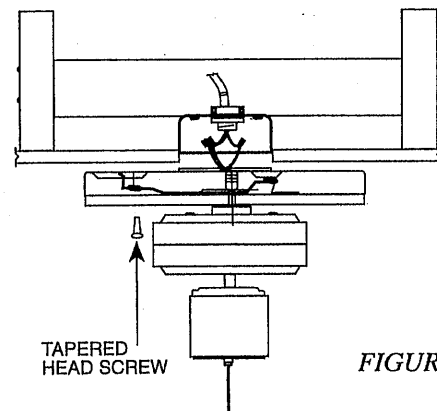


FIGURE 10

**D.** Complete hanging of the motor by rotating it upwards as shown in Figure 10 and mounting with 3 tapered head shoulder screws supplied.

## Step 7: Motor Cover Assembly

Install the motor cover using the four #8 screws provided. See Figure 11.

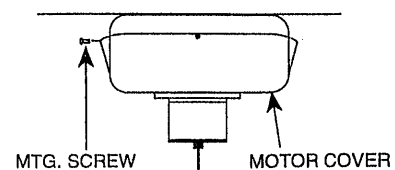


FIGURE 11

## Step 8: Fan Blade Assembly Installation and Balancing

**A.** Assemble the blades to the blade iron ring, using the screws with the smooth heads and square shoulders under the head. Put the screws into the holes in the blade, set the blade on the blade iron ring and mount with the nuts provided. We have provided a wrench to tighten the nuts. See Figure 12.

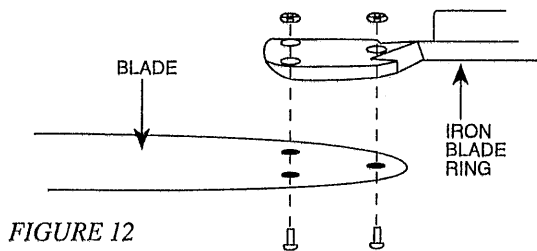


FIGURE 12

**B.** Install the blade iron ring to the motor, using the 4-#1/4-20 screws with fillister heads (tall heads). Slide the ring with the blades attached over the switch housing, rotating the ring until it clears the switch housing. Mount the ring to the motor hub with the four screws identified above. See Figure 13.

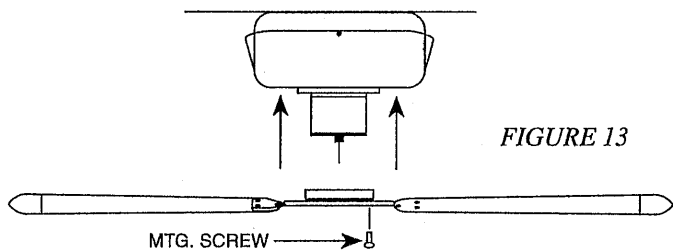


FIGURE 13

**C.** A blade balancing kit has been provided with your fan. Should your fan wobble in operation, you may use this kit to correct the balance per the instructions supplied with the kit.

## Step 9: Installation of Nosecone

Hand screw nosecone into bracket on bottom of switch housing, making sure chain comes out the bottom hole in the nosecone. Hand tighten only. See Figure 14.

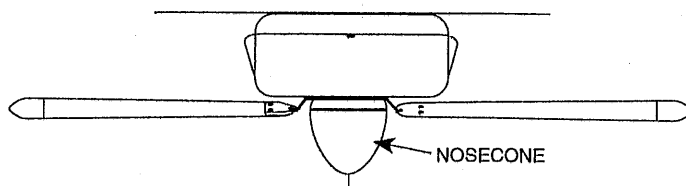


FIGURE 14

## Step 10: Operation of Fan

**A.** Turn electrical service on at main panel.

**B.** Switch operates in this sequence: "HIGH", "MEDIUM", "LOW", "OFF". Pull the chain slowly to operate. Also, release the chain slowly to prevent breakage and to keep chain from flying up into blades.

**C.** The motor is electrically reversible. To reverse the motor, loosen the nosecone to expose the reversing switch on the side of the switch housing. Slide switch to the opposite position and replace the nosecone. Always have fan in "OFF" position when making change.

## TROUBLESHOOTING GUIDE

PROBLEM	PROBABLE CAUSE	SOLUTION
1. Nothing happens; fan does not move.*	<ol style="list-style-type: none"> <li>1. Power turned "off" or fuse blown.</li> <li>2. Loose wire connections or wrong connections.</li> <li>3. Pull chain not "on".</li> <li>4. Motor reversing switch not engaged.</li> </ol>	<ol style="list-style-type: none"> <li>1. Turn power "on" or replace fuse.</li> <li>2. Loosen canopy. Check all connections (turn power "off" while checking).</li> <li>3. Pull switch chain.</li> <li>4. Push switch firmly to one side or the other.</li> </ol>
2. Noisy operation.	<ol style="list-style-type: none"> <li>1. Blade brackets loosely screwed to motor.</li> <li>2. Blade screwed loosely to blade bracket.</li> <li>3. Blade cracked.</li> <li>4. Non-approved speed control being used.</li> </ol>	<ol style="list-style-type: none"> <li>1. Tighten screws until snug.</li> <li>2. Tighten screws.</li> <li>3. Replace all blades.</li> <li>4. Change to approved speed control.</li> </ol>
3. Excessive wobbling.	<ol style="list-style-type: none"> <li>1. Blade brackets not attached at proper locations.</li> <li>2. Unbalanced blades.</li> <li>3. Fan too close to vaulted ceiling.</li> <li>4. Loose blades or blade brackets.</li> <li>5. Fan not secure on hanger assembly.</li> </ol>	<ol style="list-style-type: none"> <li>1. Carefully review Step 8.</li> <li>2. Use blade balancing kit. (See Step 8C.)</li> <li>3. Lower or move fan.</li> <li>4. Tighten all screws.</li> <li>5. Turn power "OFF". Support fan very carefully. Loosen canopy and hang correctly.</li> </ol>

When switching from medium to low speed, you may notice some fan wobble. When fan speed stabilizes at low speed, wobble will disappear.