

**WGL**  
FULL CUT-OFF  
WALLPACK

Cat. #		Approvals
Job	Type	



**Intended Use**

- Designed for perimeter illumination of walls with typical mounting heights of 15'-25'

**Construction**

- Die-cast aluminum housing and door, provides rigid mounting to wall; dissipates fixture heat for long component life and protection from the elements
- Aluminum reflector designed to provide a uniform full cut-off, neighbor friendly Type II distribution for wide lateral spacing
- Castings are powder painted dark bronze for and lasting protection
- Clear tempered glass lens – thermal shock and impact resistant



**WGL**

**Electrical**

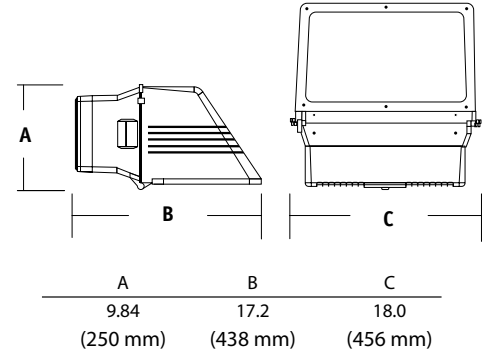
- HID ballasts are HPF, multi-tap (120, 208, 240, 277V)

**Installation**

- 1/2" conduit hubs located on top and sides of the back of housing

**Listings**

- Listed to UL1598 for use in wet locations



**ORDERING INFORMATION**

Catalog Number	Wattage/Source	Voltage	Finish	Input amps – 120-277V	Lamp	Weight lbs. (kg)
<b>WGL – Mogul Base</b>						
<b>WGL-250P</b>	250w PSMH	120, 208, 240, 277V	Bronze	2.0 - 1.2	ED28	27 (12.3)
<b>WGL-320P</b>	320w PSMH	120, 208, 240, 277V	Bronze	3.3 - 1.4	ED28	28 (12.7)
<b>WGL-400P</b>	400w PSMH	120, 208, 240, 277V	Bronze	3.8 - 1.7	ED37	30 (13.6)
<b>WGL-250S</b>	250w HPS	120, 208, 240, 277V	Bronze	2.6 - 1.2	ED18	32 (14.5)
<b>WGL-400S</b>	400w HPS	120, 208, 240, 277V	Bronze	4.0 - 1.7	ED18	32 (14.5)

**ACCESSORIES – ORDER SEPARATELY**

Catalog Number	Description
<b>PBT-1</b>	Photocontrol, button type, 120V
<b>PBT-234</b>	Photocontrol, button type, 208, 240, 277V

**REPLACEMENT PARTS**

Catalog Number	Description
<b>SM318GLASS</b>	Replacement lens for WGL

Due to our continued efforts to improve our products, product specifications are subject to change without notice.



Hubbell Outdoor Lighting • 701 Millennium Boulevard • Greenville, SC 29607 • PHONE: 864-678-1000  
For more information visit our web site: [www.hubbelloutdoor.com](http://www.hubbelloutdoor.com)