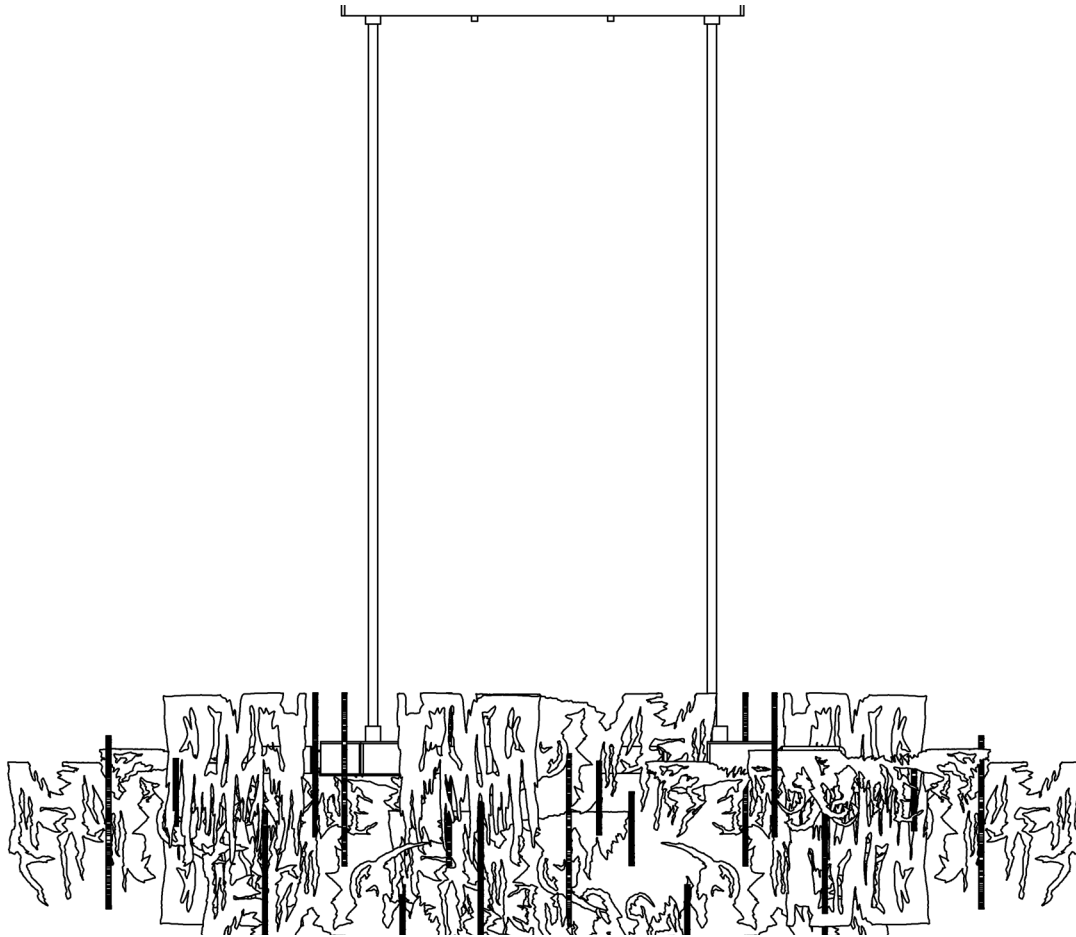


ASSEMBLY & INSTALLATION INSTRUCTIONS



## ASSEMBLY &amp; INSTALLATION INSTRUCTIONS

## COMPONENT PARTS

A	Fixture
B	Fixture Coupling (2)
C	Pipe (2)
D	Canopy
E	Bent Bracket (2)
F	#10 Wood Screws (4)
G	Gripper Bracket (2)
H	Gripper (2)
I	Safety Cable (2)
J	Ground Screw
K	Cupped Washer
L	Canopy Cover Plate
M	Hex Nuts (8)
N	Threaded Standoffs (2)
O	Knobs w/Studs (2)
P	Socket (4)
Q	Bulbs (4) - Included

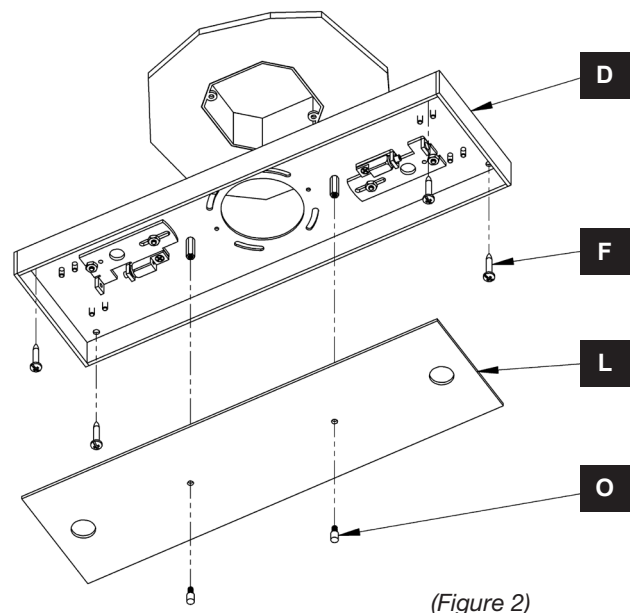
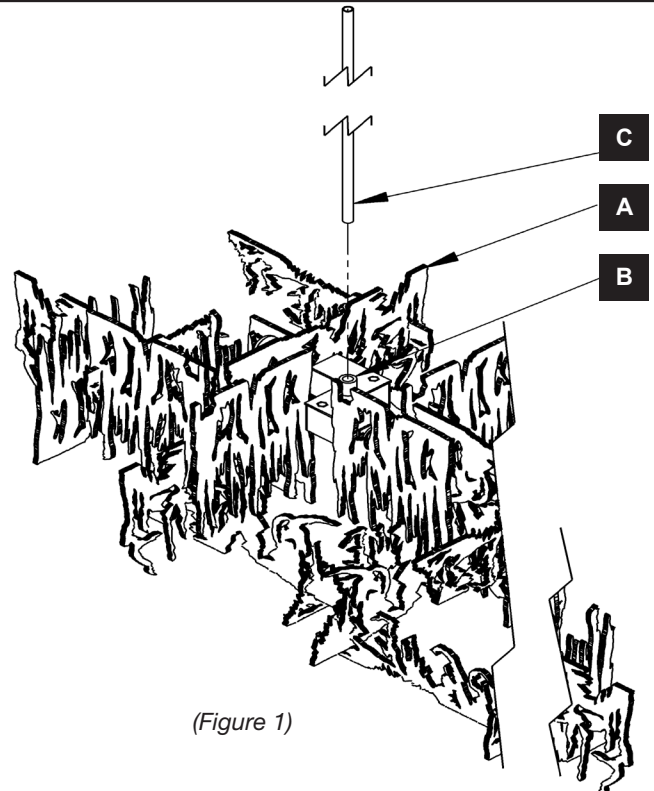
## ASSEMBLY &amp; INSTALLATION INSTRUCTIONS

**CAUTION: FAILURE TO INSTALL THIS FIXTURE PROPERLY MAY RESULT IN SERIOUS PERSONAL INJURY OR DEATH AND PROPERTY DAMAGE.** We recommend installation by a licensed electrician. This product must be installed in accordance with applicable installation code(s), by a person familiar with the construction and operation of the product and the hazards involved.\*

Caution: Do not exceed maximum wattage noted on fixture. Use only recommended bulbs with fixture.

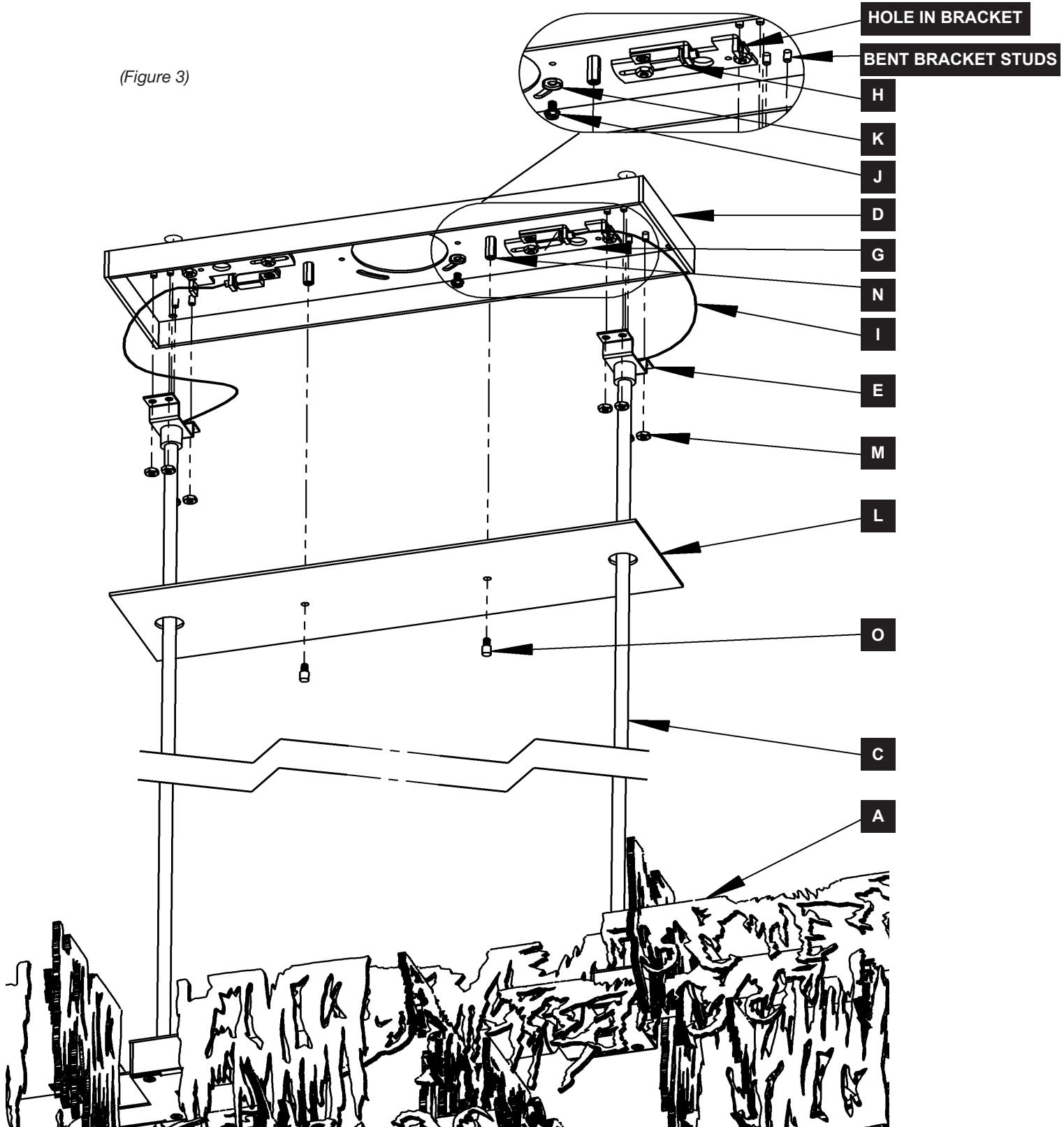
## ATTACH FIXTURE PIPES &amp; CANOPY (FIGURES 1 &amp; 2)

- Carefully unpack the fixture (A) from the carton.
- Apply a drop of the supplied thread locking compound to the internal threads of the fixture coupling (B).  
**Note:** Application of the thread locking compound is necessary to prevent the stem from loosening during regular maintenance and cleaning of the fixture. Be certain to apply the compound.
- Run wires and safety cables through pipes (C), unpainted ends first. Screw pipes (C), into fixture couplings (B).
- Remove knobs w/studs (O) and canopy cover plate (L). Set aside for later use.
- Thread the wires in the electrical box through the hole in the canopy (D) while moving into position over electrical box.
- Using machine screws (not provided), attach canopy (D) to electrical box.  
**Note:** A new electric box comes with screws. When replacing a fixture, retain the existing screws for use with the new fixture.
- Using wood screws (F), attach canopy (D) to a structural member in the ceiling.  
**Note:** It may be necessary to pre-drill  $\frac{1}{4}$ " holes where screws (F) are being installed. Wood screws are supplied with your fixture; however, different materials and/or construction methods may require different fasteners. If in doubt, contact a qualified electrician. Do not rely on outlet box to support fixture.



ASSEMBLY & INSTALLATION INSTRUCTIONS

TO INSTALL TO CEILING (FIGURE 3) See steps on following page



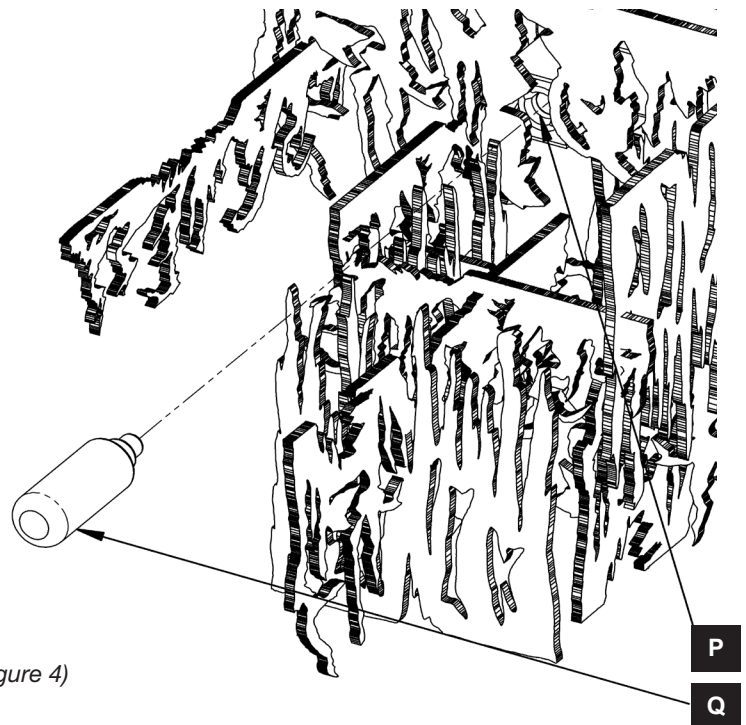
## ASSEMBLY &amp; INSTALLATION INSTRUCTIONS

**TO INSTALL TO CEILING (FIGURES 3 & 4)** See Figure 3 on previous page

1. Slide canopy cover plate (L) over wires and pipes (C) until it rests on fixture (A).
2. Raise fixture towards canopy (D). Slide safety cable (I) through hole in gripper bracket (G) and into gripper (H). Slide far enough so cable (I) comes out the end of gripper (H). Repeat for remaining cable (I).
3. Pull cables (I) through gripper (H) until bent brackets (E) are close to bent bracket studs on canopy (D). To help with installation, leave approximately 1" between studs and bent bracket (E).
4. Raise fixture, slip bent brackets (E) over studs and secure with (4) hex nuts (M) per bracket.
5. Pull cables (I) one final time to remove any slack in cables.
6. Attach a pigtail lead to the canopy (D) using the provided ground screw (J) and cupped washer (K), found in kit bag.
7. Using suitable wire connectors (not provided), connect fixture wires to supply wires (Ribbed to white and smooth to black). Connect all ground wires (bare copper or green to bare copper or green) together.

**CAUTION:** MAKE SURE WIRE CONNECTORS ARE TWISTED ON SECURELY, AND NO BARE WIRES ARE EXPOSED.

8. Push wires and excess safety cable (I) into junction box.
9. Raise canopy cover plate (L) and secure with knobs w/ studs (O).  
**NOTE:** Be sure no wires or cables are pinched between cover plate and canopy.
10. Locate bulbs (Q) (provided).
11. Install bulbs (Q) into sockets (P). (Figure 4)
12. Restore electricity at main breaker.



(Figure 4)

If you need further assistance, or find that you are missing any parts, please contact the showroom from which you purchased this product. We hope you enjoy your fixture!

**\*ART+ALCHEMY will not be liable for injury or damage caused by improper installation, lamping or use of this fixture.**