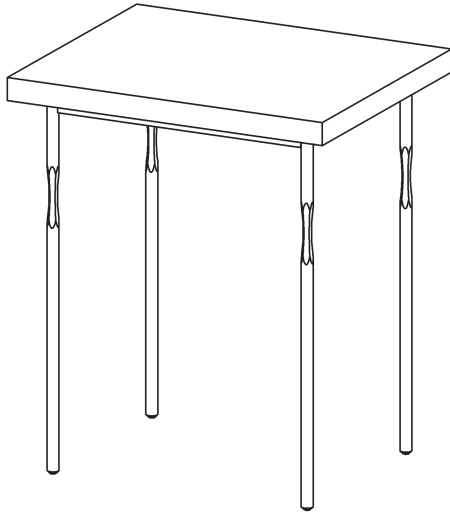


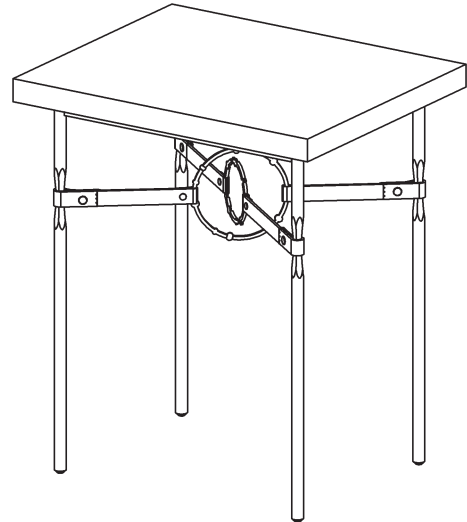
ASSEMBLY & INSTALLATION INSTRUCTIONS

F25

Senza and Equus Wood Top Tables 750114, 750115, 750120 & 750121

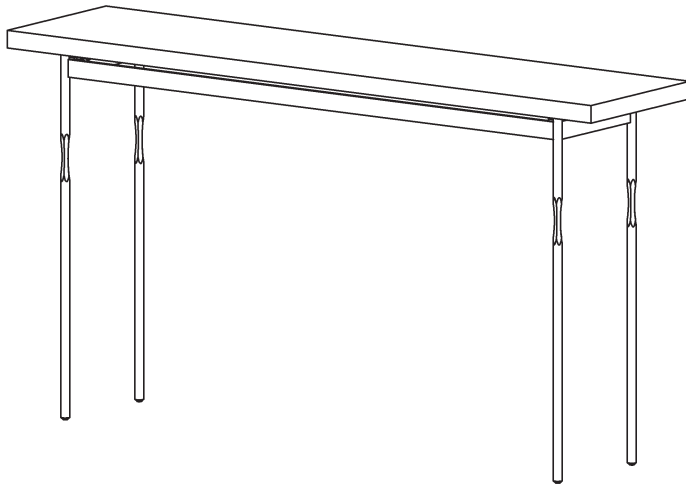


750115

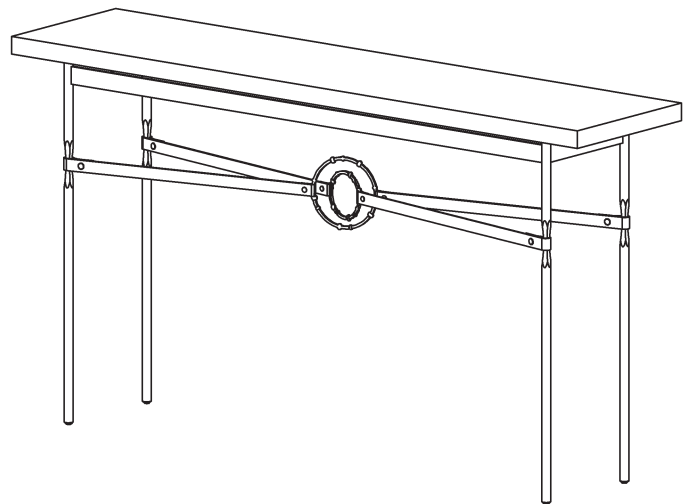


750114

(shown in illustrations)



750121



750120

Component Parts

- A Table**
- B Wood Top**
- C Screws (4)**
- D Washers (4)**
- E Felt Pads (4)**
- F Large Ring Strap (750114 & 750120 only)**
- G Small Ring Strap (750114 & 750120 only)**



ASSEMBLY & INSTALLATION INSTRUCTIONS

F25

Senza and Equus Wood Top Tables 750114, 750115, 750120 & 750121

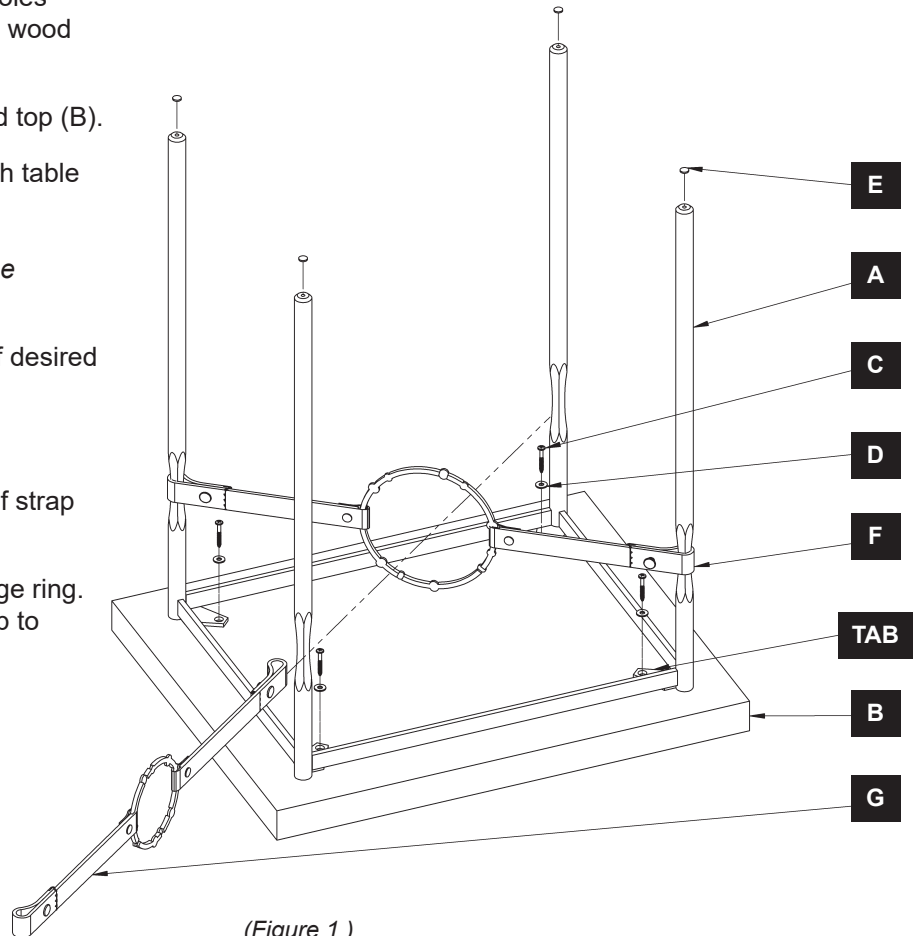
1. Carefully unpack table (A) and wood top (B) from the carton.
2. Place wood top (B) on flat surface with holes facing up. Be sure surface won't scratch wood finish.
3. Align tabs on table (A) with holes in wood top (B).
4. Using screws (C) and washers (D), attach table (A) to wood top (B).

Notes: An extra short screwdriver may be needed for some screw locations.

5. Adhere felt pads (E) to legs of table (A) if desired for floor surface.

Follow steps 6 & 7 for Equus tables only

6. Locate large ring strap (F). Wrap ends of strap around legs and snap to close.
7. Feed small ring strap (G) through the large ring. Wrap ends of strap around legs and snap to close.



(Figure 1)

Cleaning Instructions: Use a dry soft cloth for dusting purposes, do not rub. Never scrub, use an abrasive, or any solvent-based cleaning products, as this could damage the finish. Wipe dry with soft cloth.

If you need further assistance, please contact the dealer from which you purchased this product. We hope you enjoy your table!

*** Hubbardton Forge will not be liable for injury or damage caused by improper use of this table.**