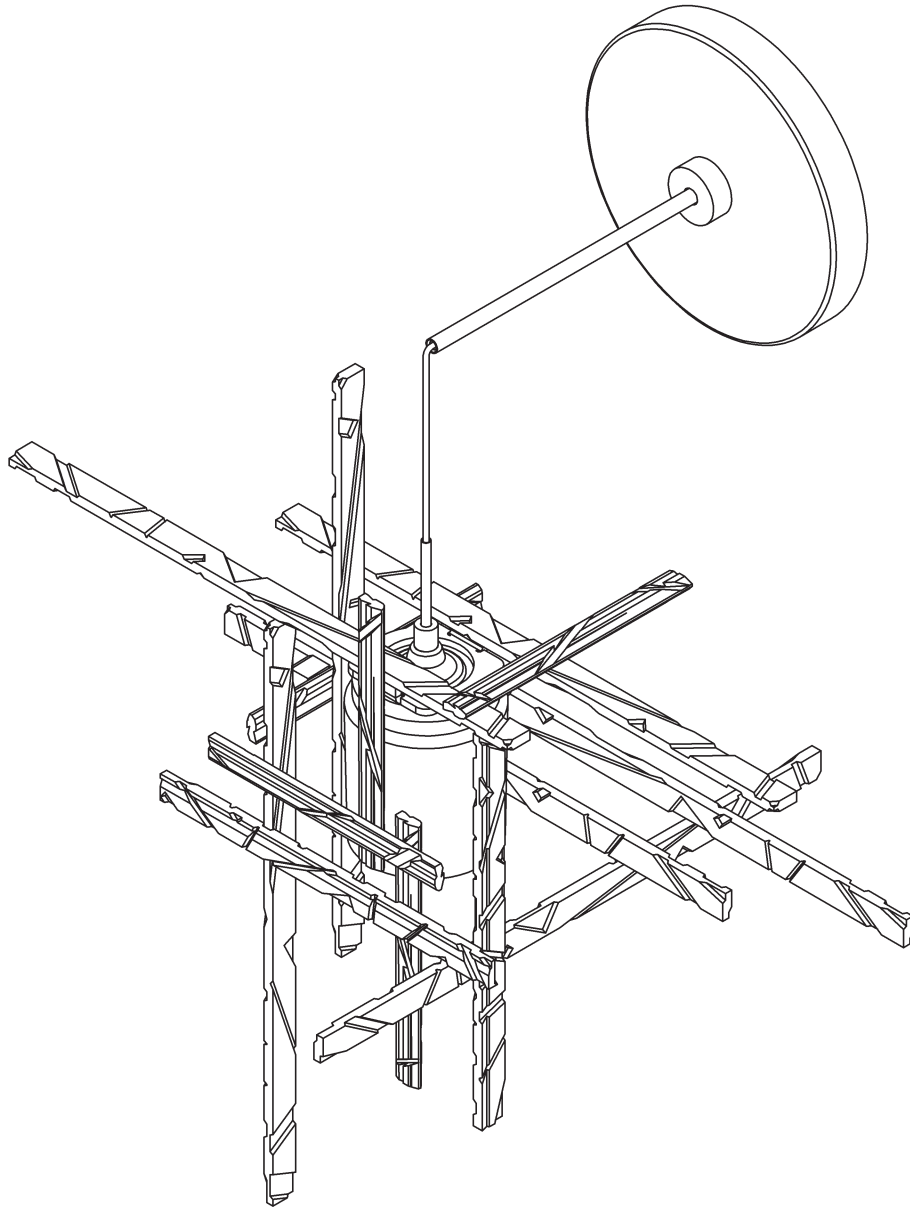


# ASSEMBLY & INSTALLATION INSTRUCTIONS

**B499**

Tura Low Voltage Staccato Glass Sconce 201396

---



## Component Parts

<b>A</b>	<b>Fixture</b>
<b>B</b>	<b>Can</b>
<b>C</b>	<b>Knob</b>
<b>D</b>	<b>Crossbar</b>
<b>E</b>	<b>Jam Nut</b>
<b>F</b>	<b>Threaded Nipple</b>
<b>G</b>	<b>Supply/Support Cable</b>
<b>H</b>	<b>Collar</b>
<b>I</b>	<b>Transformer</b>
<b>J</b>	<b>Connectors (2)</b>
<b>K</b>	<b>Ground Screw</b>
<b>L</b>	<b>Nozzle</b>
<b>M</b>	<b>Socket</b>
<b>N</b>	<b>Collar</b>
<b>O</b>	<b>Cage Assembly</b>
<b>P</b>	<b>Glass</b>
<b>Q</b>	<b>Retainer</b>
<b>R</b>	<b>Tool</b>



# ASSEMBLY & INSTALLATION INSTRUCTIONS

B499

Tura Low Voltage Staccato Glass Sconce 201396

**CAUTION: FAILURE TO INSTALL THIS FIXTURE PROPERLY MAY RESULT IN SERIOUS PERSONAL INJURY OR DEATH AND PROPERTY DAMAGE.** We recommend installation by a licensed electrician. This product must be installed in accordance with applicable installation code(s), by a person familiar with the construction and operation of the product and the hazards involved.\*

Please Note: After installation extra hardware and accessories are possible due to our kits are used on multiple products and options.

## To Install To Wall (Figure 1)

**CAUTION: BE SURE POWER IS OFF AT THE MAIN BREAKER BOX PRIOR TO INSTALLATION.**

1. Carefully unpack fixture (A) from the carton.
2. Unthread knob (C) from threaded nipple (F). Slide knob (C) and can (B) along fixture (A) and down supply/support cable (G) until it rests on nozzle (L).
3. Using two machine screws (not provided), temporarily fasten crossbar (D) to the electric box. Make sure jam nut (E) is loose.

**Note:** A new electrical box comes with screws. When replacing a fixture, retain the existing screws for use with the new fixture.

4. Adjust the length of threaded nipple (F) in crossbar (D) so that knob (C) will hold can (B) tight against the wall. When the correct adjustment is established, tighten jam nut (E) against crossbar (D) to secure the adjustment
5. Remove crossbar (D) from the electrical box.
6. Length of fixture can be adjusted before mounting to wall. Using hex wrench provided, loosen set screw in collar (H). Slide wire through fixture (A) until desired height is reached. Retighten set screw in collar (H) to secure adjustment.

**CAUTION: BE SURE NOT TO OVERTIGHTEN SET SCREW AS THIS COULD PINCH THE WIRE AND CAUSE THE FIXTURE NOT TO LIGHT.**

7. Hold transformer (I) close to wall. Using suitable wire connectors (not provided) connect transformer wires to supply wires (white to white and black to black).
8. Push transformer (I) into electrical box with wires w/ connectors (J) facing out.
9. Using two machine screws (not provided), re-attach crossbar (B) to electric box.
10. Attach a pigtail lead to crossbar ground screw (K).
11. Hold can (B) close, connect all ground wires (bare copper or green to bare copper or green).
12. Using wire connectors provided (J), connect one red transformer wire to Braided side of fixture wire. Connect the remaining red transformer wire to the stranded side of fixture wire. Either braided/stranded wire can be connected to either red transformer wire.

**CAUTION: MAKE SURE NO BARE WIRE IS EXPOSED.**

13. Tuck all excess fixture wires into electrical box.
14. Slide can (B) over threaded nipple (F), up against wall and secure with knob (C).

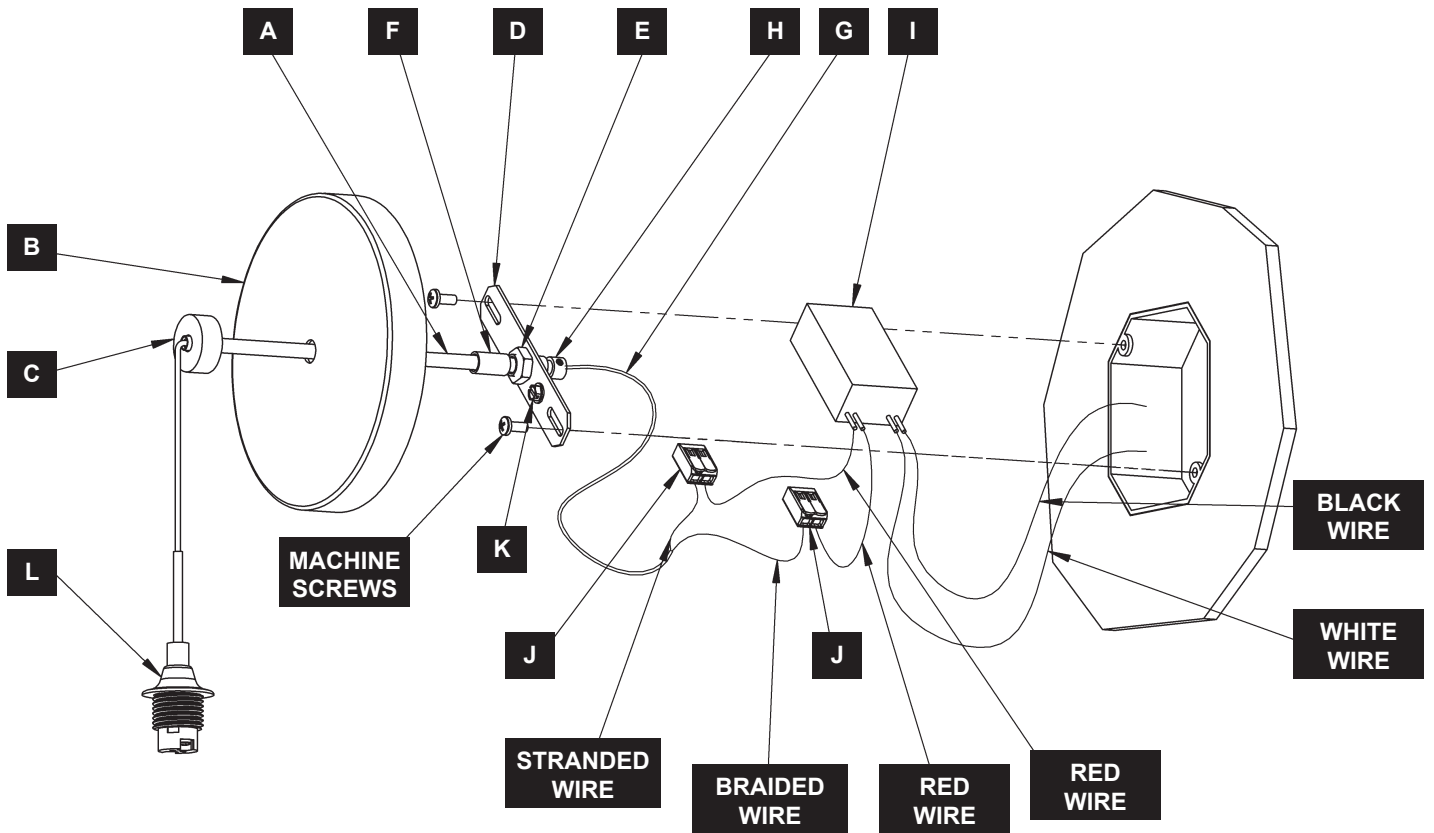
**CAUTION: BE SURE NO WIRES ARE PINCHED BETWEEN THE CAN AND THE WALL.**

15. Follow steps on next page to complete installation

# ASSEMBLY & INSTALLATION INSTRUCTIONS

**B499**

Tura Low Voltage Staccato Glass Sconce 201396



(Figure 1)



HUBBARDTON FORGE.

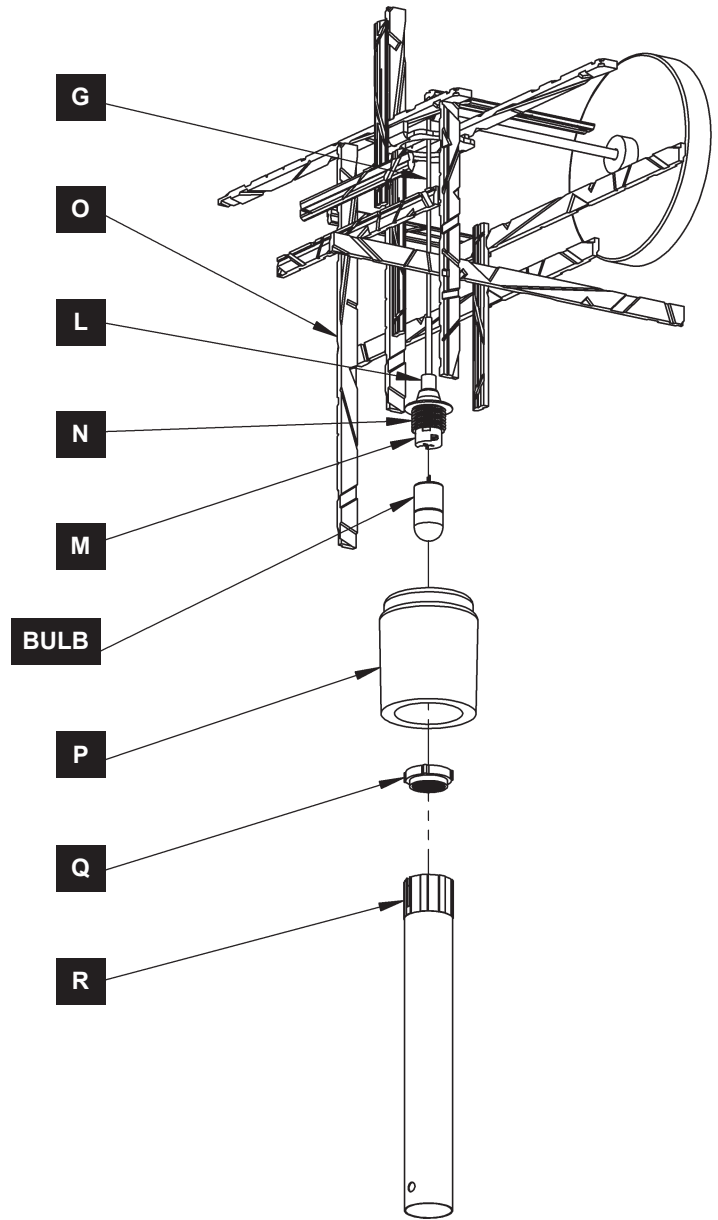
MODERN AMERICAN BLACKSMITHS | FINE, HAND CRAFTED LIGHTING  
CASTLETON, VERMONT USA | HUBBARDTONFORGE.COM

## To Install Glass *(Figure 2)*

1. Install bulb (not included), into socket (M).
2. Carefully unpack cage assembly (O) and glass (P).
3. Slide cage assembly (O) over nozzle (L) and up supply/support cable (G).
4. Place retainer (Q) into tool (R).
5. Slide glass (P) over collar (N) and using tool (R), thread retainer (Q) onto collar (N) to secure glass (P).

**Note:** Be sure not to overtighten as this could break glass.

6. Lower cage assembly (O) until it rests on top of glass (P).
7. Restore electricity at the main breaker



(Figure 2)

If you need further assistance, or find that you are missing any parts, please contact the dealer from which you purchased this product. We hope you enjoy your fixture!

*\* Hubbardton Forge will not be liable for injury or damage caused by improper installation, lamping or use of this fixture.*