

# ASSEMBLY & INSTALLATION INSTRUCTIONS

Saratoga Oval Pendant 134070

A835



**Component Parts**

- A     Fixture**
- B     Mounting Bracket**
- C     Canopy**
- D     Anchor (2)**
- E     #10 Screw (2)**
- F     Safety Cable (2)**
- G     Safety Cable Nut (2)**
- H     Ground Screw**
- I     Cupped Washer**
- J     Stud (2)**
- K     Knurled Ball (2)**
- L     #8 Screws (2)**
- M     Fixture Loop**
- N     Chain**
- O     Canopy Loop**
- P     Leather Strap (4)**
- Q     Hook (4)**
- R     Socket (4)**
- S     Shade**

# ASSEMBLY & INSTALLATION INSTRUCTIONS

A835

Saratoga Oval Pendant 134070

**CAUTION: FAILURE TO INSTALL THIS FIXTURE PROPERLY MAY RESULT IN SERIOUS PERSONAL INJURY OR DEATH AND PROPERTY DAMAGE.** We recommend installation by a licensed electrician. This product must be installed in accordance with applicable installation code(s), by a person familiar with the construction and operation of the product and the hazards involved.\*

**Caution:** Do not exceed maximum wattage noted on fixture. Use only recommended bulbs with fixture.

*Please Note: After installation extra hardware and accessories are possible; our kits are used on multiple products.*

## To Install Fixture (Figure 1)

**CAUTION: BE SURE POWER IS OFF AT THE MAIN BREAKER BOX PRIOR TO INSTALLATION.**

1. Carefully unpack fixture (A) from the carton.
2. Remove #8 screws (L) from mounting bracket (B) and separate canopy (C) and bracket (B).
3. Place the mounting bracket (B) over the electrical box. Line up holes in mounting bracket with holes in electrical box. With a pencil, mark the location of all mounting holes in the mounting bracket on the ceiling. Set bracket aside.
4. Drill 1/4" holes in the locations marked on the ceiling. Place the tapered end of the anchors (D) into the holes and gently tap them flush to ceiling using a light weight hammer.
5. Thread the wires in the electrical box through the hole in the mounting bracket (B) while moving the bracket into position. Using (2) #8 machine screws (not provided), attach the bracket securely to the junction box.

**Note:** A new electric box comes with screws. When replacing an existing fixture, retain screws for use with the new fixture

6. Using #10 screws (E), screw the bracket securely to the ceiling. Be careful not to over-tighten or strip the anchors (D).
7. Remove knurled balls (K) from studs (J) found in kit bag. Thread studs (J) into appropriate holes in mounting bracket (B).
8. Attach one end of the chain (N) to the fixture loop (M). Lace the wires through every other link of the chain to the end. Attach remaining end of chain to canopy loop (O)

**Note:** Fixture is shipped with quick links attached to each end of chain to aid in chain installation.

9. Slip wires through the canopy loop (O). Make sure to provide enough slack in the wire to ensure weight of fixture is supported by the chain (N).
10. Remove both safety cable nuts (G) and retain for next step.
11. Raise canopy (C) with fixture (A) attached toward mounting bracket (B). Slide end of safety cable (F) onto stud on mounting bracket (B) and secure with safety cable nut (G). Repeat for second safety cable (F).

**Note:** Safety cables are to temporarily suspend fixture while wiring connections are being made.

12. Attach a pigtail lead to mounting bracket (B) using ground screw (H) and cupped washer (I) found in kit bag.
13. Continue steps on next page.

# ASSEMBLY & INSTALLATION INSTRUCTIONS

A835

Saratoga Oval Pendant 134070

14. Using suitable wire connectors (not provided) connect fixture wires to supply wires (white to ribbed side of the fixture cord, black to smooth side). Connect all ground wires (bare copper or green to bare copper or green).

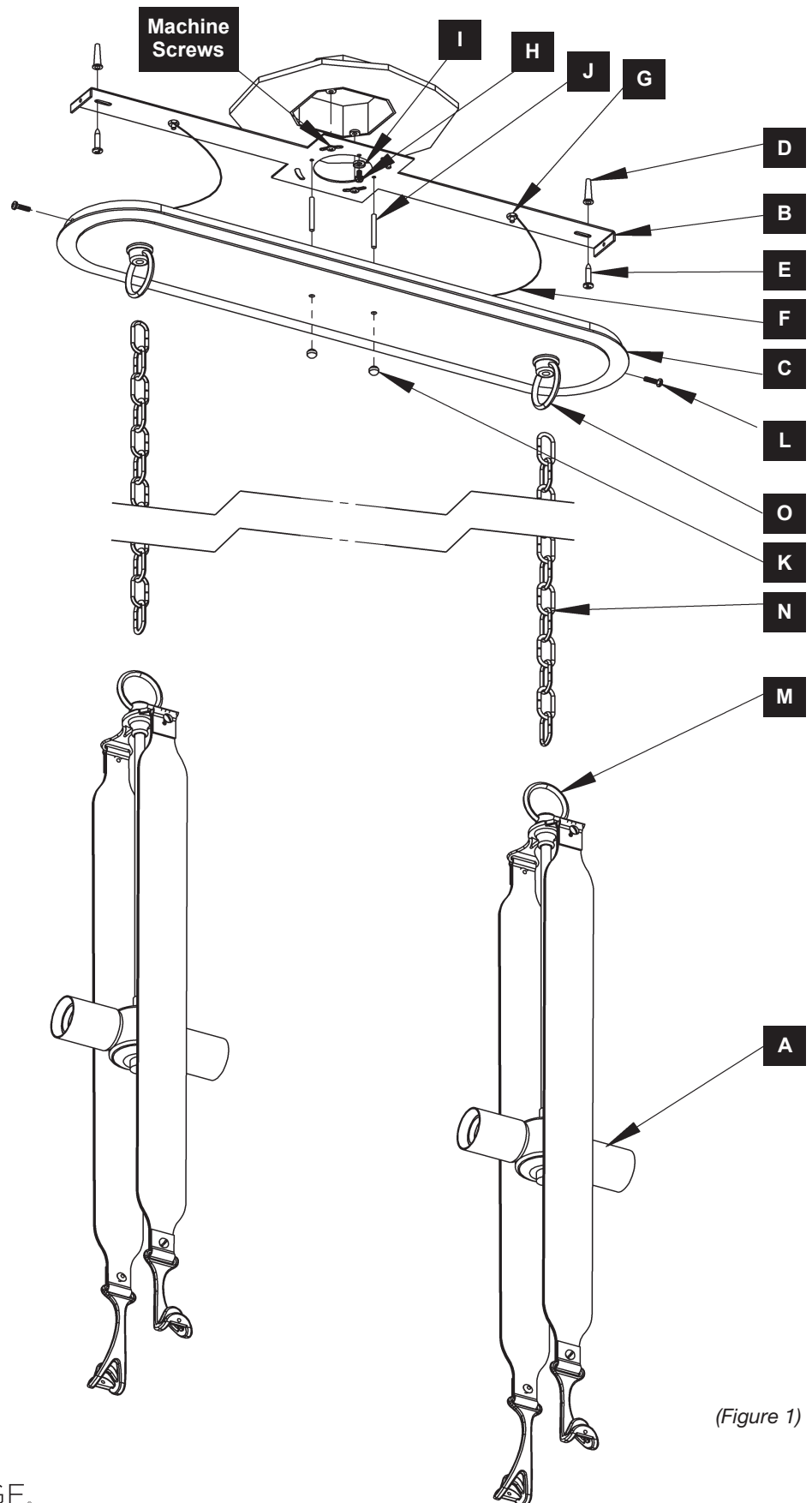
**CAUTION:** MAKE SURE WIRE CONNECTORS ARE TWISTED ON SECURELY AND NO BARE WIRE IS EXPOSED.

15. Raise canopy (C) to bracket (B), slip over studs (J) and secure with knurled balls (K).

**Note:** Be sure no wires are pinched between canopy (C) and ceiling.

16. Align holes in end of canopy (C) with threaded holes in mounting bracket (B). Secure with a #8 screw (L) on each end.

17. Follow steps on remaining page to complete installation.



(Figure 1)

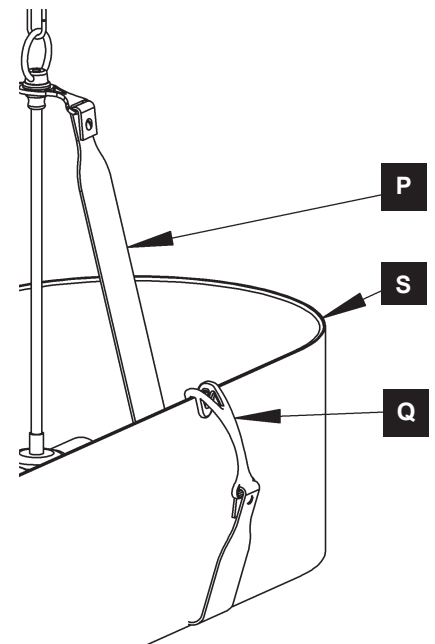
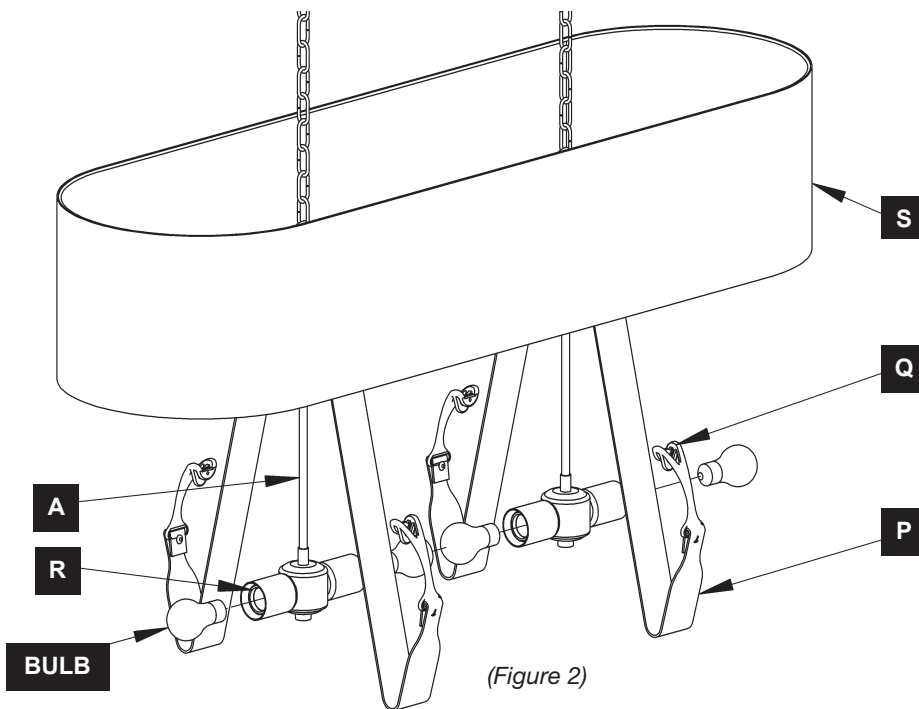
# ASSEMBLY & INSTALLATION INSTRUCTIONS

A835

Saratoga Oval Pendant 134070

## To Install Shade (Figures 2 & 3)

1. Install bulbs (not provided) into sockets (R).
2. Unpack shade (S).
3. Slide shade (S) up over leather straps (P).
4. Swing leather strap (P) up and around outside of shade (S), and attach hook (Q) to top of shade (S).
5. Repeat with remaining leather straps (P).
6. Relocate hook (Q) locations on shade (S) to adjust shade (S) to be level.
7. Restore electricity at main breaker.



If you need further assistance, or find that you are missing any parts, please contact the dealer from which you purchased this product. We hope you enjoy your fixture!

**\* Hubbardton Forge will not be liable for injury or damage caused by improper installation, lamping or use of this fixture.**