

## PLATUS SERIES

### Fire Clay Apron Front 60/40 Double Bowl

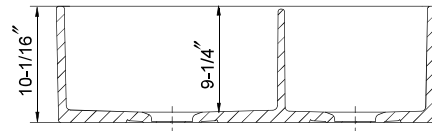
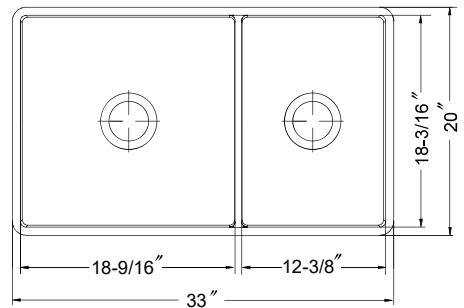
- Model** PTD-6040 WH - White  
 PTD-6040 BQ - Biscuit  
 PTD-6040 BL – Matte Black  
 PTD-6040 GR – Matte Gray



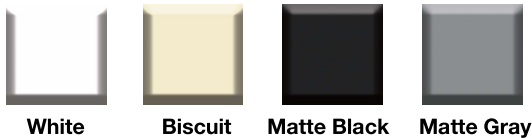
PTD-6040

### FEATURES

- Apron Front Installation
- Non-porous glossy surface
- 9-1/4" depth • 3-1/2" drain opening
- Chip, crack and scratch resistant • 4 distinctive colors
- Requires Custom Cabinet
- Supplied with fasteners and instructions
- No cut out template is supplied as each sink dimension will vary due to the nature of fireclay manufacturing process.
- Complies with ASME A112.19.2 and CSA B45.1-2013 standards  
 Certified by ICC-ES PMG
- Lifetime Limited Warranty



### OPTIONAL COLORS



Color variations possible due to printing constraints.

OVERALL DIMENSIONS	EACH BOWL	PACKAGING*	WEIGHT*
33" x 20"	18-9/16" x 18-3/16" 12-3/8" x 18-3/16"	1/10 pcs.	100/1040lbs.

\*Standard packaging: Single boxed /Pallet of single boxed.  
 All dimensions are in inches. Specifications subject to change without notice.

### OPTIONAL ACCESSORIES

Bottom Grid: BG-8760, BG-8740  
 Strainer: 190-9180

Project/Job name \_\_\_\_\_

Architect/Engineer \_\_\_\_\_

Contractor \_\_\_\_\_

Model \_\_\_\_\_ Q'ty \_\_\_\_\_

Notes \_\_\_\_\_