

## NOVUS SERIES

# 10mm Radius Undermount Large Single Bowl

Sliding Platforms System

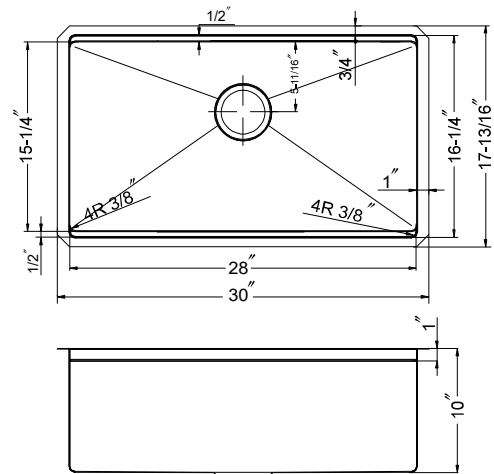
**Model : NVS-16-3000**



## FEATURES

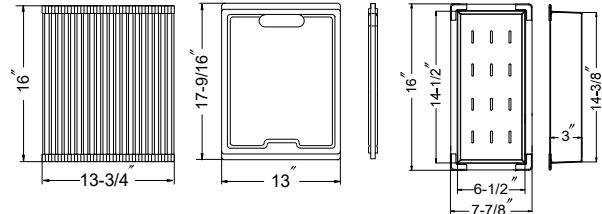
- Premium grade T-304 stainless steel
- 10" depth • 16 gauge
- MegaShield™ insulation
- Brushed satin, rear-set drain
- 3-1/2" drain opening
- Fits 36" sink base
- Supplied with cutout template, fasteners and instructions
- Includes : Wood Cutting Board, Drying Tray, Multi-Purpose Roll-Up Mat, Bottom grid, Stainless Steel Basket Strainer.
- Lifetime Limited Warranty

NVS-16-3000



## OPTIONAL ACCESSORIES

Bottom Grid: BG-4600      Drying Tray: DT-2000  
 Cutting Board : CB-4900      Roll-Up Mat: RO-1600  
 Strainer: 190-9180



OVERALL DIMENSIONS	EACH BOWL	CUTOUT SIZE	PACKAGING*	WEIGHT*
30" x 17-13/18"	28" x 15-1/4"	See Template	1/12 pcs.	35/460 lbs.

\*Standard packaging: Single boxed /Pallet of single boxed.  
 All dimensions are in inches. Specifications subject to change without notice.

Project/Job name \_\_\_\_\_

Architect/Engineer \_\_\_\_\_

Contractor \_\_\_\_\_

Model \_\_\_\_\_ Q'ty \_\_\_\_\_

Notes \_\_\_\_\_

## Installation profile

