

NOVUS SERIES

10mm Radius Undermount Bar/Prep Bowl

Sliding Platforms System

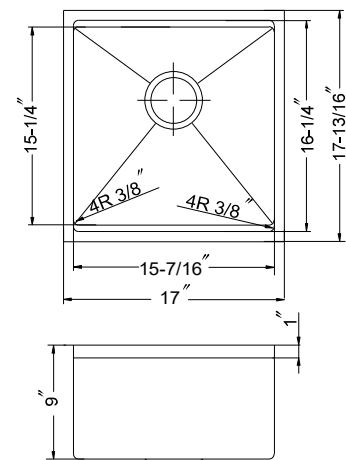
Model : NVS-16-1717



FEATURES

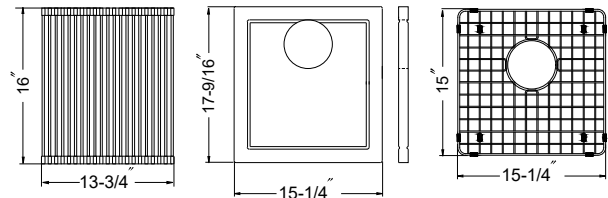
- Premium grade T-304 stainless steel
- 9" depth • 16 gauge
- MegaShield™ insulation
- Brushed satin, rear-set drain
- 3-1/2" drain opening
- Fits 21" sink base
- Supplied with cutout template, fasteners and instructions
- Includes : Wood Cutting Board, Multi-Purpose Roll-Up Mat, Bottom grid, Stainless Steel Basket Strainer.
- Lifetime Limited Warranty

NVS-16-1717



OPTIONAL ACCESSORIES

Bottom Grid: BG-4550 Roll-Up Mat: RO-1600
Cutting Board : CB-4400 Strainer: 190-9180



OVERALL DIMENSIONS	EACH BOWL	CUTOUT SIZE	PACKAGING*	WEIGHT*
17" x 17-13/18"	15-7/16" x 15-1/4"	See Template	1/20 pcs.	21/460 lbs.

*Standard packaging: Single boxed /Pallet of single boxed.
All dimensions are in inches. Specifications subject to change without notice.

Project/Job name _____

Architect/Engineer _____

Contractor _____

Model _____ Q'ty _____

Notes _____

Installation profile

